



INSTALLATION MANUAL

Daikin Altherma Heat pump convector

Installation manual
Heat pump convector

EN

Manuale d'installazione
Ventilconvettore per pompa di calore

IT

Manual de instalación
Convector para bomba de calor

ES

Installationsanleitung
Wärmepumpen-Konvektor

DE

Manuel d'installation
Ventilo-convecteur au sol

FR

Installatiehandleing
Warmtepompconvector

NL

Montaj kılavuzu
Isı Pompası konvektörü

TR

Manual de instalação
Ventiloconvector

PT

ΕΓΧΕΙΡΙΔΙΟ ΕΓΚΑΤΑΣΤΑΣΗΣ
θερμοπομπός αντλίας θερμότητας

EL

FWXV10ABTV3(R)
FWXV15ABTV3(R)
FWXV20ABTV3(R)
FWXV10AATV3(R)
FWXV15AATV3(R)
FWXV20AATV3(R)
FWXM10AATV3(R)
FWXM15AATV3(R)
FWXM20AATV3(R)

We want to thank you for choosing one of our products.

We are confident that you will be happy with your selection because it represents the state of the art in the technology of home climate control.

By following the suggestions contained in this manual, the product you have purchased will operate without problems giving you optimum room temperatures with minimum energy costs.

DAIKIN EUROPE N.V.

Conformity

This unit complies with European directives:

- Low voltage directive 2014/35/UE
- Electro-magnetic compatibility 2014/30/UE;.

Symbols

The following symbols provide the necessary information for correct, safe use of the machine in a rapid, unmistakable way

Editorial pictograms

U User

- Refers to pages containing instructions or information for the user.

S Service

- Refers to pages containing instructions or information for the installer TECHNICAL CUSTOMER SERVICE.

I Installer

- Refers to pages containing instructions or information for the installer

Safety pictograms

Generic danger

- Signals that the operation described could cause physical injury if not performed according to the safety rules.

Danger due to heat

- Signals that the operation described could cause burns if not performed according to the safety rules.

Danger of high voltage

- Signals that the operation described could cause electrocution if not performed according to the safety rules.

Do Not

- Refers to actions that absolutely must not be performed.

General

1.1	General warnings	4
1.2	Fundamental safety rules	4
1.3	Product range	5
1.4	Overall dimensions	6

Installation

2.1	Positioning the unit	7
2.2	Installation modes.	7
2.3	Minimum installation space	7
2.4	Access to the internal components	8
2.5	Removing the side panels.	9
2.6	Vertical installation	9
2.7	Horizontal or ceiling installation	10
2.8	Hydraulic connections	10
2.9	Condensation discharge.	11
2.10	Filling the system	12
2.11	Evacuating air while filling the system.	12
2.12	Electrical connections.	13
2.13	Maintenance	13
2.14	Cleaning the outside.	13
2.15	Cleaning air suction filter	14
2.16	Energy saving tips	15

Troubleshooting

3.1	Troubleshooting	16
3.2	Table of anomalies and remedies	16
3.3	Technical Data	18

GENERAL

1.1 General warnings

- ⚠ After unpacking, make sure that all the components are present. If not, contact your installer or your DAIKIN affiliate office.
- ⚠ DAIKIN appliances must be installed by an authorised installer who, on completion of the work, will release a declaration of conformity to the client in respect of the laws in force and the indications given by DAIKIN in the instructions leaflet supplied together with the appliance.
- ⚠ These appliances have been designed both for conditioning and/or heating environments and must be destined for this use only and compatibly with their performance characteristics.
DAIKIN EUROPE N.V. accepts no responsibility, either contractual or extra-contractual, for any damage caused to persons, animals or property as a result of incorrect installation, adjustment or maintenance or improper use.
- ⚠ In case of water leaks, turn the master switch of the system to "OFF" and close the water taps.
As soon as possible, call the DAIKIN technical service department or else professionally qualified personnel and do not intervene personally on the appliance.
- ⚠ The imbedded FWXM-series do not have a grill or covering plate. Provide safety guards and air inlet/outlet grills to prevent accidental contact with the device.
- ⚠ If the appliance is not used for a long period of time, the following operations should be performed:
 - Turn the master switch of the system to "OFF"
 - Close the water taps
 - If there is the risk of freezing, make sure that anti-freeze has been added to the system otherwise empty the system.
- ⚠ If the room temperature is too low or too high it is damaging for the health and is also a useless waste of energy.
Avoid prolonged contact with the direct air flow.
- ⚠ Do not leave the room closed for long periods. Periodically open the windows to ensure a correct change of air.
- ⚠ This instruction leaflet is an integral part of the appliance and consequently must be kept carefully and must ALWAYS accompany the appliance, even when it is passed to a new owner or user or transferred onto another system. If it is lost or damaged, please contact the local DAIKIN technical service centre.
- ⚠ All repair or maintenance interventions must be performed by the technical service department or by professionally qualified personnel as foreseen in this booklet. Do not modify or intervene on the appliance as this could create dangerous situations and the manufacturer will not be responsible for any damage caused.
- ⚠ Danger from burns - take care when touching

1.2 Fundamental safety rules

- ⊖ Remember that some fundamental safety rules should be followed when using a product that uses electricity and water, such as:
 - ⊖ The unit can be used by children over the age of 8, and by people with reduced physical, sensory or mental capabilities, or with no experience or necessary knowledge, as long as they are monitored or after they have received instructions on the safe use of the unit and have understood the dangers involved.
Children must not play with the appliance.
The cleaning and maintenance that must be performed by the user should not be carried out by children without supervision.
 - ⊖ It is forbidden to touch the appliance with wet hands or body when barefoot.
 - ⊖ It is forbidden to carry out any cleaning before having disconnected the appliance from the electricity mains supply by turning the system master switch to "OFF".
 - ⊖ It is forbidden to modify the safety or adjustment devices or adjust without authorisation and indications of the manufacturer.
 - ⊖ It is forbidden to pull, cut or knot the electrical cables coming out of the appliance, even if it is disconnected from the mains supply.

- ⊖ It is forbidden to poke objects or anything else through the inlet or outlet grills.
- ⊖ It is forbidden to climb onto the appliance or rest any object on it.
- ⊖ It is forbidden to open the doors which access the internal parts of the appliance without first turning the system master switch to "OFF".
- ⊖ The external parts of the appliance can reach temperatures of more than 70°C.
- ⊖ It is forbidden to dispose of or leave in the reach of children the packaging materials which could become a source of danger.

1.3 Product range

There are 2 types of DAIKIN heat pump convectors, FWXV and FWXM, each of which is offered in 3 sizes with different performances and dimensions.

FWXV-series

heat pump convector with metal cabinet.

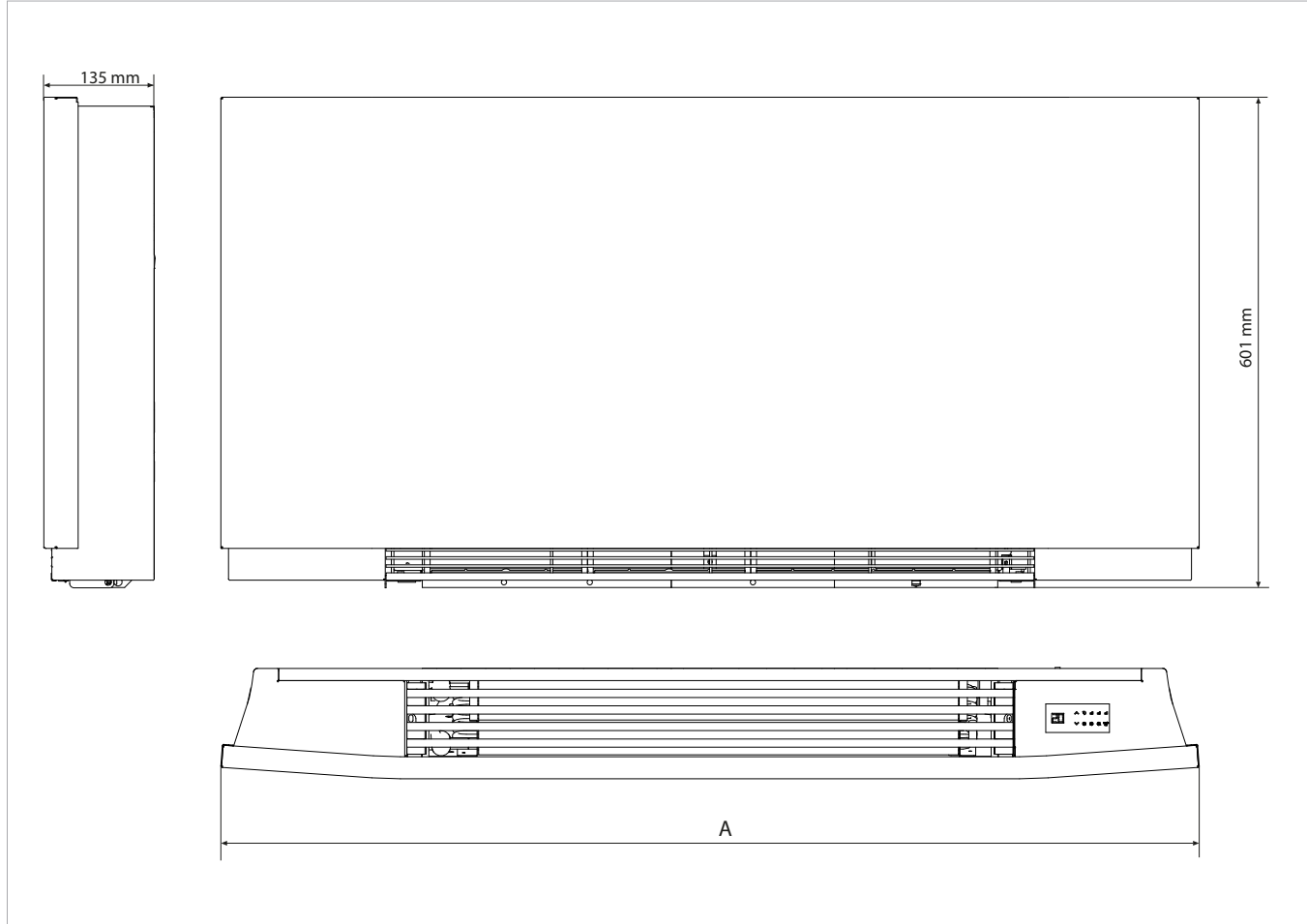
FWXM-series

Embedded heat pump convector without panels.

1.4 Overall dimensions

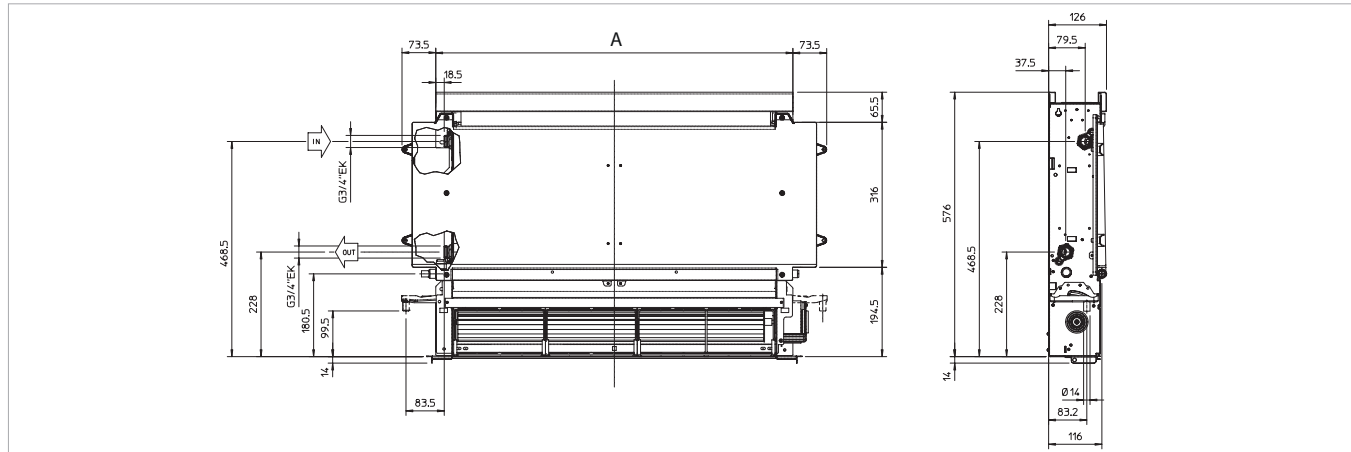
	U.M.	FWXV10AATV3(R)	FWXV15AATV3(R)	FWXV20AATV3(R)
		FWXV10ABTV3(R)	FWXV15ABTV3(R)	FWXV20ABTV3(R)
Dimensions				
A	mm	999	1199	1399

FWXV



	U.M.	FWXM10AATV3(R)	FWXM15AATV3(R)	FWXM20AATV3(R)
Dimensions				
A	mm	578	778	978

FWXM



INSTALLATION

2.1 Positioning the unit

- ⚠ Avoid installing the unit:
- in positions subject to exposure to direct sunlight;
 - in proximity to sources of heat;
 - in damp areas or places with probable contact with water;
 - in places with oil fumes
 - in places subject to high frequency radio waves.

- ⚠ Make sure that:
- the wall on which the unit is to be installed is strong enough to support the weight;

- the part of the wall interested does not have pipes or electric wires passing through;
- the interested wall is perfectly flat;
- there is an area free of obstacles which could interfere with the inlet and outlet air flow;
- the installation wall is preferably an outside perimeter wall to allow the discharge of the condensation outside;
- in case of ceiling installation (FWXM-series) the airflow is not directed towards persons.

2.2 Installation modes

The following descriptions of the various mounting phases and the relative designs refer to a version of the machine with fixtures on the left.

The operations for the mounting of machines with fixtures on the right (R) are exactly the same.

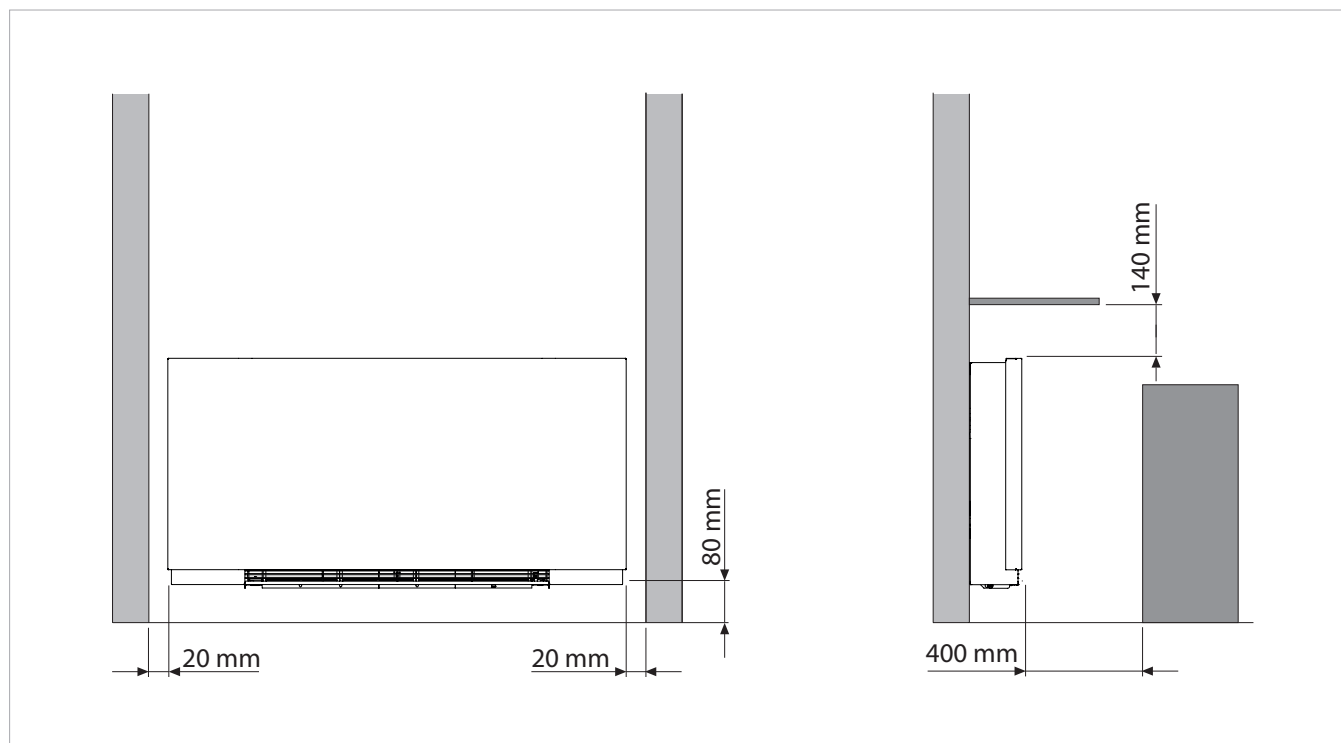
Only the images are to be considered as a mirror image. To ensure that the installation is performed correctly and

that the appliance will perform perfectly carefully follow the instructions indicated in this manual. Failure to respect the rules indicated not only can cause malfunctions of the appliance but will also invalidate the warranty and hence DAIKIN EUROPE N.V. shall not respond for any damage to persons, animals or property.

EN

2.3 Minimum installation space

Figure indicates the minimum mounting distances between the wall-mounted cooler-convactor and furniture present in the room.



2.4 Access to the internal components

To access the inside of the machine, follow the procedures below.

Remove the upper grill:

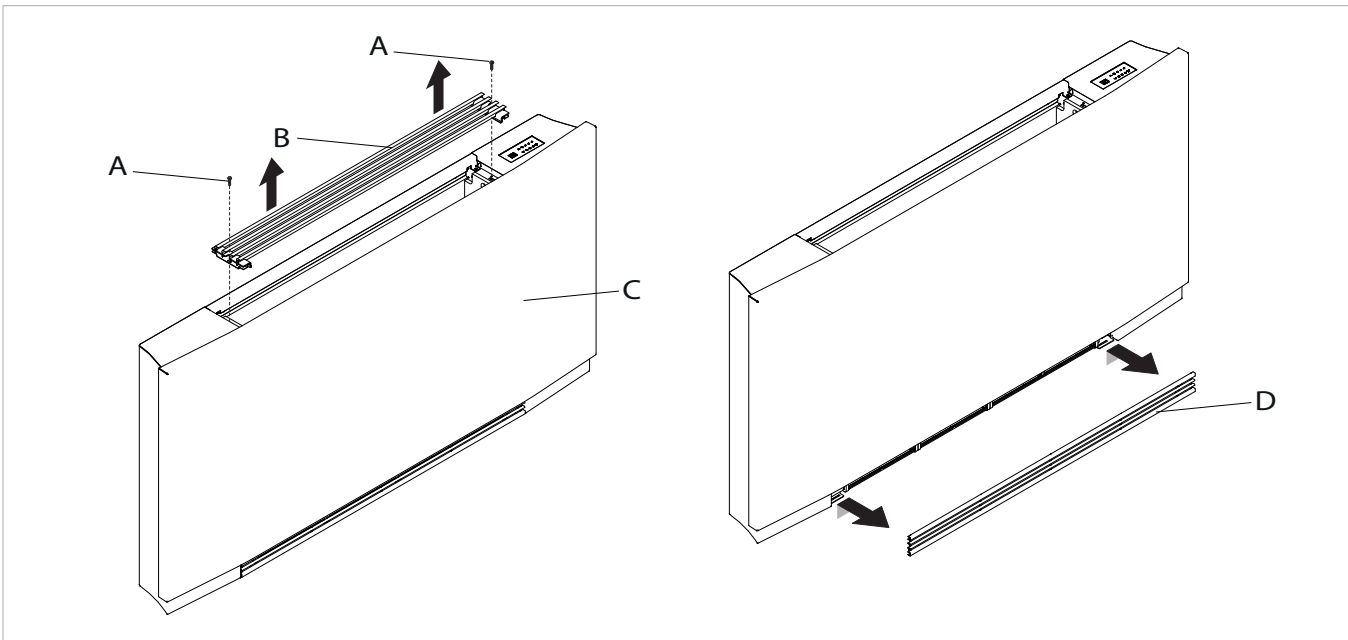
- loosen the fixing screws of the upper grill
- remove the grill

Remove the front grill:

- extract the grill until it is completely out of the seat
- tilt the grill
- slide outwards

A	Fixing screws
B	Upper grill

C	Front panel
D	Front grill

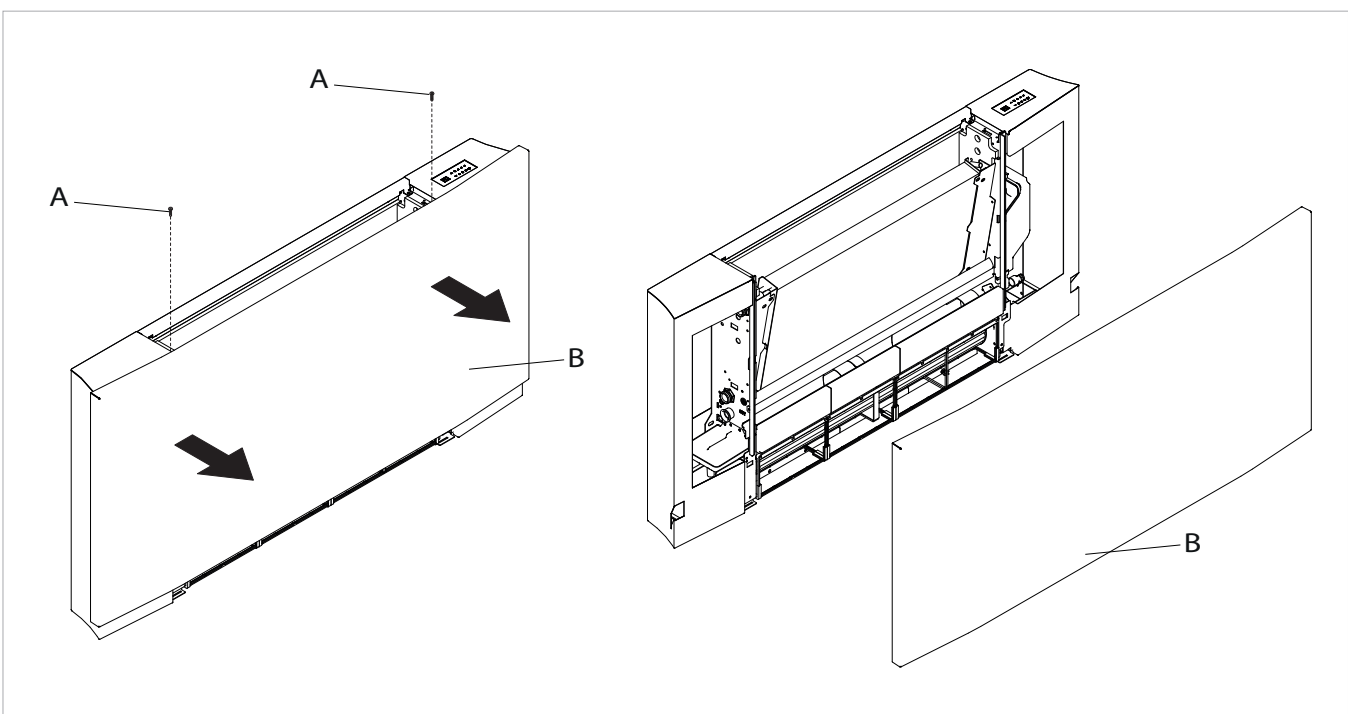


Remove the frontal panel:

- loosen the fixing screws
- remove the panel

A	Fixing screws
----------	---------------

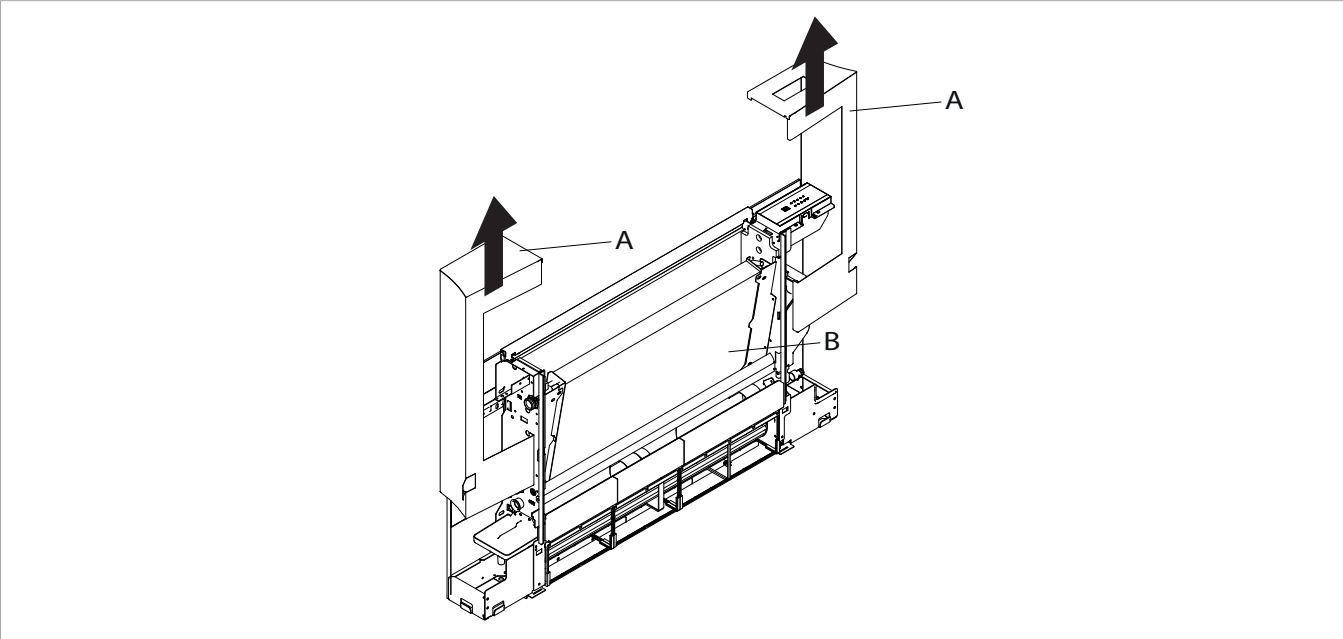
B	Front panel
----------	-------------



2.5 Removing the side panels

To remove the side:
 - remove the sides upwards

A	Side
B	Machine body



2.6 Vertical installation

Using the paper template, trace the position of the two fixing brackets on the wall. Use a suitable drill to make the holes with and insert the wall plugs (2 for each bracket); fix the two brackets. Do not over-tighten the screws so that the brackets can be adjusted with a spirit level. Install the unit at level (with a possible 1 to 2% inclination towards the drainage pipe to facilitate the flow of water).

Mount the unit, checking that it fits correctly onto the brackets and checking that it is stable.

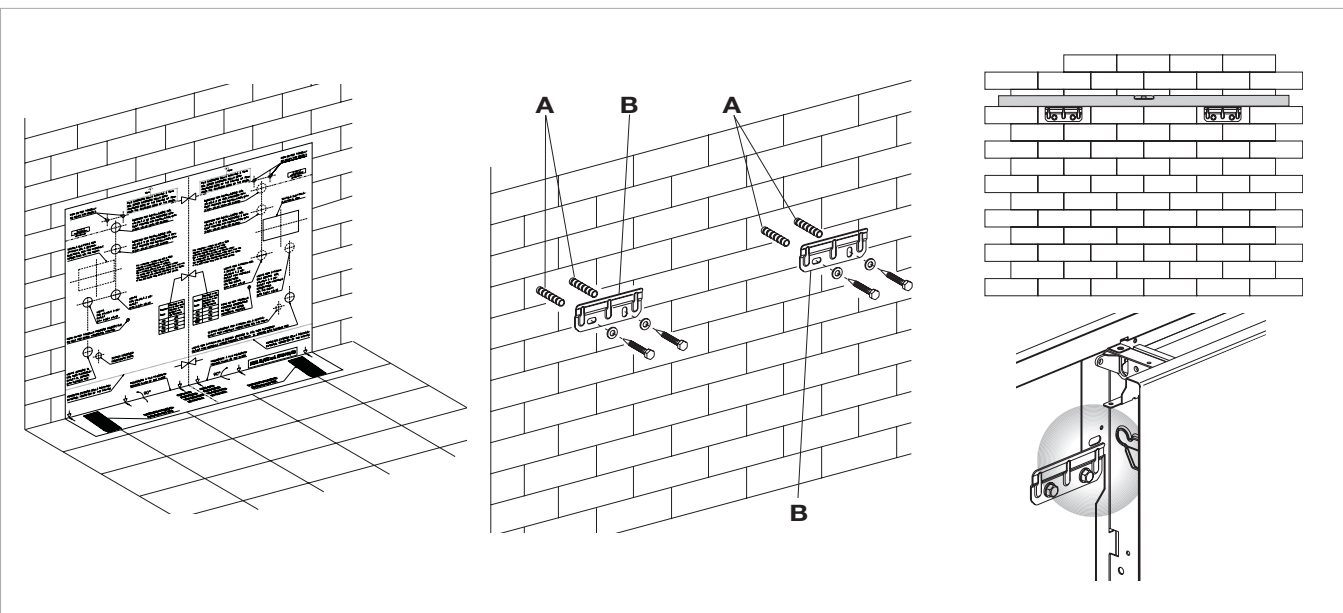
Note: to facilitate the connection of the pipes to the fancoil connections, install a built-in box at the outlet of the pipes themselves.

The correct position of the box is indicated on the installation template.

Fully tighten the four screws to block the two brackets. Check the stability by manually moving the brackets to the right and to the left, up and down.

A	Wall plugs
----------	------------

B	Brackets
----------	----------



2.7 Horizontal or ceiling installation

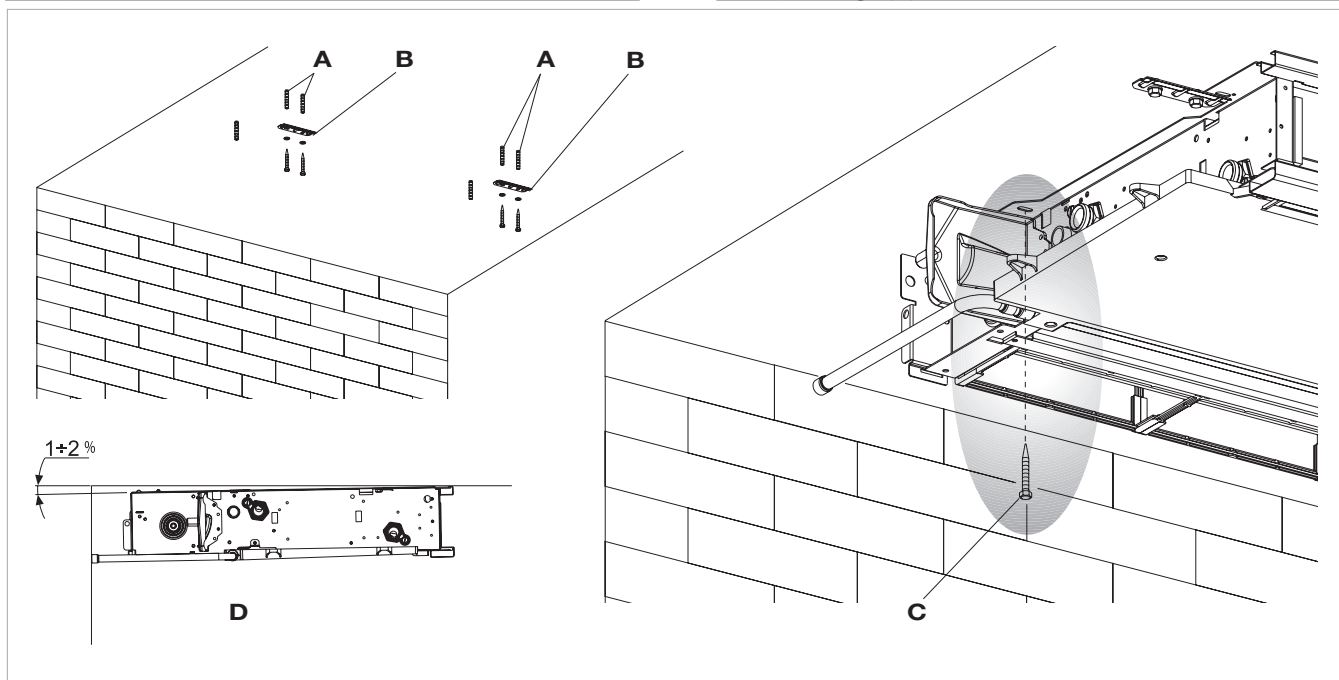
Using the paper template, trace on the ceiling the position of the two fixing brackets and the two rear screws. Using a suitable drill, make the holes and insert the wall plugs (2 for each bracket); fix the two brackets. Do not over-tighten the screws. Position the machine on the two brackets, keeping it in position and then fix the two screws into the rear toggle bolts, one on each side. Install the unit at level (with a possible 1 to 2% inclination towards the drainage pipe to facilitate the flow of water).

For installation of the FWXV-series, horizontal condensation collection basin accessory kits are available EKM(10/15/20)COH.

⚠ Carefully check the inclination of the exhaust pipe. Any counter slope of the discharge line can cause water leakage

A	Wall plugs
B	Brackets

C	Screws
D	Drainage pipe



2.8 Hydraulic connections

FWXV/FWXM	U.M.	10AATV3(R)	15AATV3(R)	20AATV3(R)
FWXV	U.M.	10ABTV3(R)	15ABTV3(R)	20ABTV3(R)
Pipeline diameter	mm	14	16	18

NB: the nominal diameter, unless otherwise indicated, always refers to the internal diameter.

To avoid the formation of surface condensation, it is always recommended to install electric valve kits, except in the case where an electrical control (eg electrothermal head) is provided upstream of the appliance. The choice and sizing of the hydraulic lines must be made by an expert who must operate according to the rules of good technique and the laws in force, taking into account that undersized pipes cause a malfunction.

To make the connections:

- position the hydraulic lines
- tighten the connections using the “spanner and counter spanner” method
- check for any leaks of liquid
- coat the connections with insulating material.

⚠ The hydraulic lines and joints must be thermally insulated.

⚠ Avoid partially insulating the pipes.

⚠ Do not over-tighten to avoid damaging the insulation.

⚠ Use hemp and green paste to seal the threaded connections; the use of Teflon is advised when there is anti-freeze in the hydraulic circuit.

2.9 Condensation discharge

The condensation discharge network must be suitably sized and the pipeline positioned so that it keeps a constant inclination, never less than 1%. In the vertical installation, the discharge pipe is connected directly to the discharge tray, positioned at the bottom of the side shoulder underneath the hydraulic fixtures. In a horizontal installation the discharge tube is connected to the one already present on the machine.

- If possible, make the condensation liquid flow directly in a gutter or a "rainwater" discharge.
- When discharging directly into the main drains, it is advisable to make a siphon to prevent bad smells returning up the pipe towards the room. The curve of the siphon must be lower than the condensation collection bowl.
- If the condensation needs to be discharged into a container, it must be open to the atmosphere and the tube must not be immersed in water to avoid problems of adhesiveness and counter-pressure that would interfere with the normal outflow.

- If there is a height difference that could interfere with the outflow of the condensation, a pump must be mounted:
 - in a vertical installation mount the pump under the lateral drainage tray;
 - in a horizontal installation the pump position must be decided according to the specific requirements.
- Such pumps are commonly found in commerce.

However, on completion of the installation it is advisable to check the correct outflow of the condensation liquid by slowly pouring about ½ l of water into the collection tray in about 5-10 minutes.

Mounting the condensation discharge pipe in the vertical version

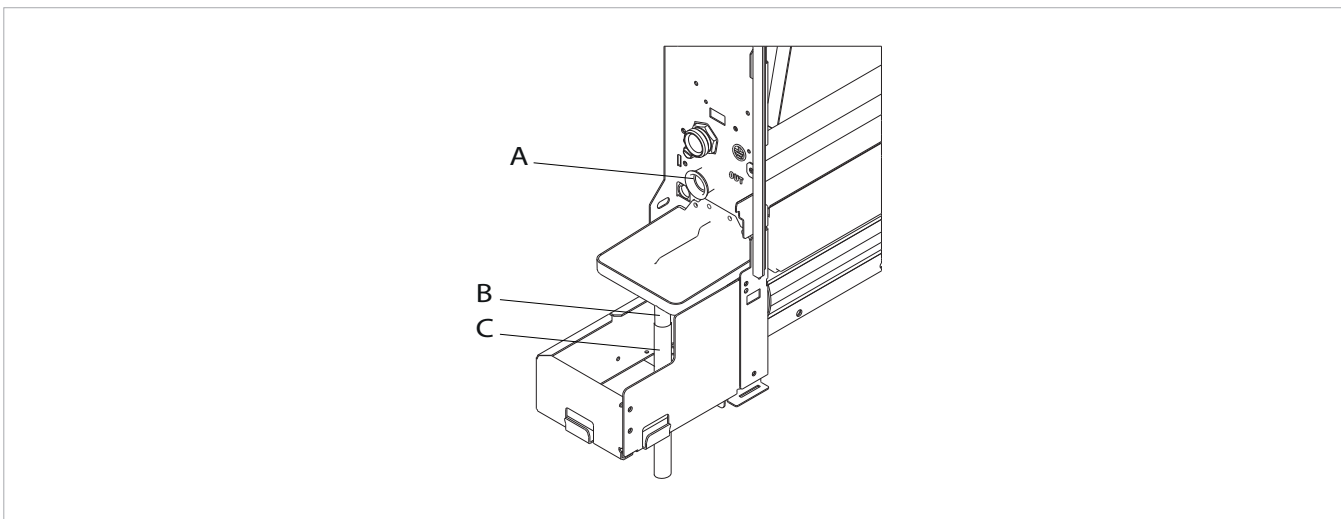
Connect a drainage pipe to the drainage connection of the condensate tray and block it properly. Check that the

drip-collector extension is present and correctly installed.

EN

A	Discharge fitting
B	Tube for the outflow of the liquid - Ø14 mm

C	Extension drip
----------	----------------



Mounting the condensation discharge pipe in the horizontal version

To mount the horizontal bowl on the FWXM-series refer to the instructions in kits EKM(10/15/20)COH.

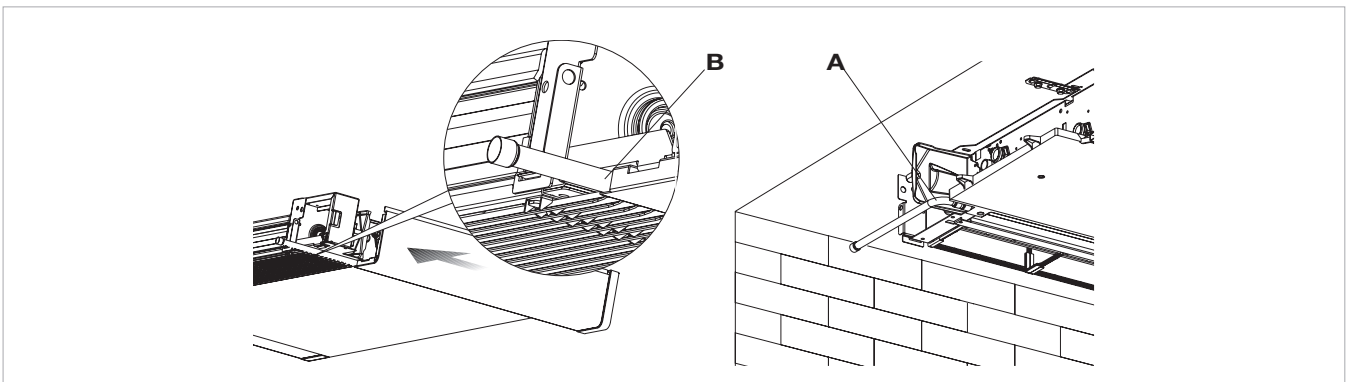
- check that the "L" pipe and the flexible rubber hose are correctly connected to the bowl.
- slide in the side of the machine keeping the pipe in position up against the front grill.
- fully close the side checking that the pipe remains blocked in the special grove on the side.

N.B. for the horizontal installation carefully note the following precautions:

- make sure that the machine is installed perfectly level or with a slight inclination towards the condensation discharge;
- insulate carefully the inflow and outflow pipes up to the machine union to prevent any drops of condensation outside the same collection bowl;
- insulate the bowl condensation discharge pipe along all of its length.

A Connection pipes - Ø14 mm

B Discharge



2.10 Filling the system

When starting up the system, make sure that the hydraulic unit lockshield is open. If there is no electric power and the

thermo-valve has already been powered use the special cap to press the valve stopper to open it.

2.11 Evacuating air while filling the system

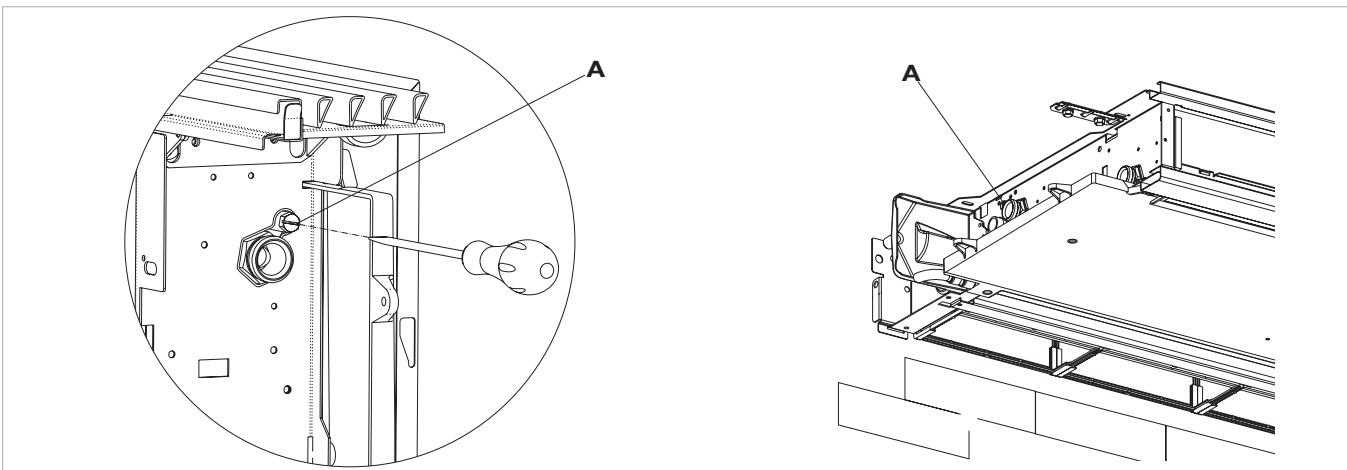
- Open all the shut off valves (manual or automatic);
- Start the filling by slowly opening the system water filling tap;
- For the unit installed in a vertical position, take a screwdriver and open the highest breather of the heat exchanger; for appliances installed in a horizontal position, open the highest positioned breather.

- When water starts coming out of the breather valves of the appliance, close them and continue filling until reaching the nominal value for the system.

Check the hydraulic seal of the gaskets.

It is advisable to repeat these operations after the appliance has been running for a few hours and periodically check the pressure of the system.

A Breather



2.12 Electrical connections

Make electrical connections according to the requirements set out in sections General Warnings and Fundamental Safety Rules by reference to the patterns present in the installation and accessories manuals.

Before doing any work, make sure the power is switched off.

The unit must be connected to the mains through a multipolar switch with minimum contact opening of at least 3mm or with a device that allows the complete disconnection from the device under the overvoltage conditions category III.

2.13 Maintenance

Routine maintenance is indispensable to keep the heat pump convector in perfect working condition, safe and reliable over the years. This can be done every six months

for some interventions and annually for others, by the Technical Service Assistance, technically authorised and prepared, using always original spare parts.

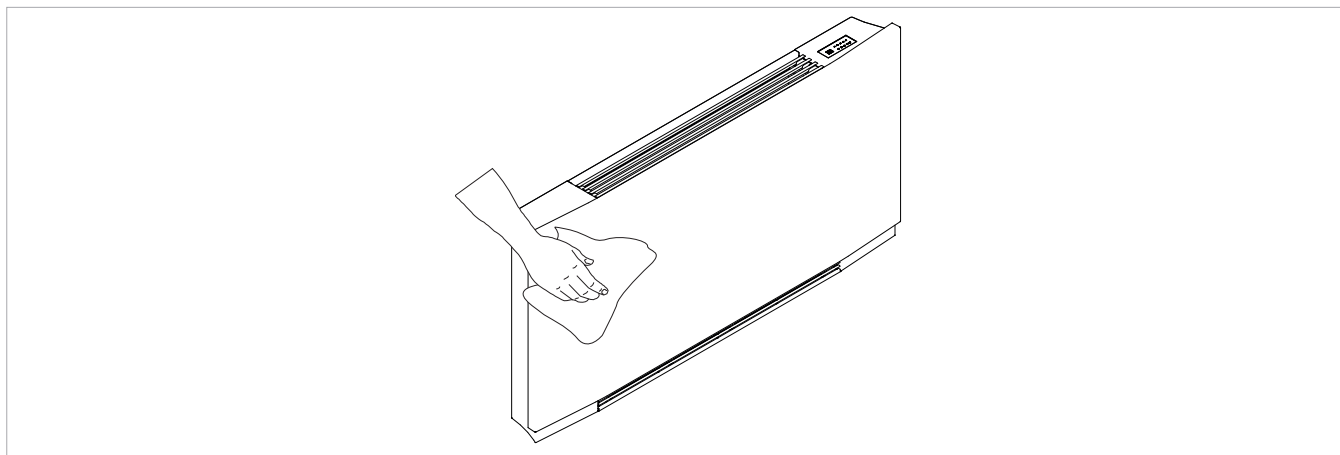
2.14 Cleaning the outside

⚠ Before every cleaning and maintenance intervention, disconnect the appliance from the mains by switching off the master switch.

⚠ Wait until the parts have cooled down to avoid the risk of burns.

⚠ Do not use abrasive sponges or abrasive or corrosive detergents to avoid damaging the painted surfaces.

When necessary, clean the outer surfaces of the heat pump convector with a soft damp cloth.



EN

2.15 Cleaning air suction filter

After a period of continuous operation and in consideration of the concentration of impurities in the air, or when

he intends to restart the unit after a period of inactivity, proceed as described.

Extraction of filter cells

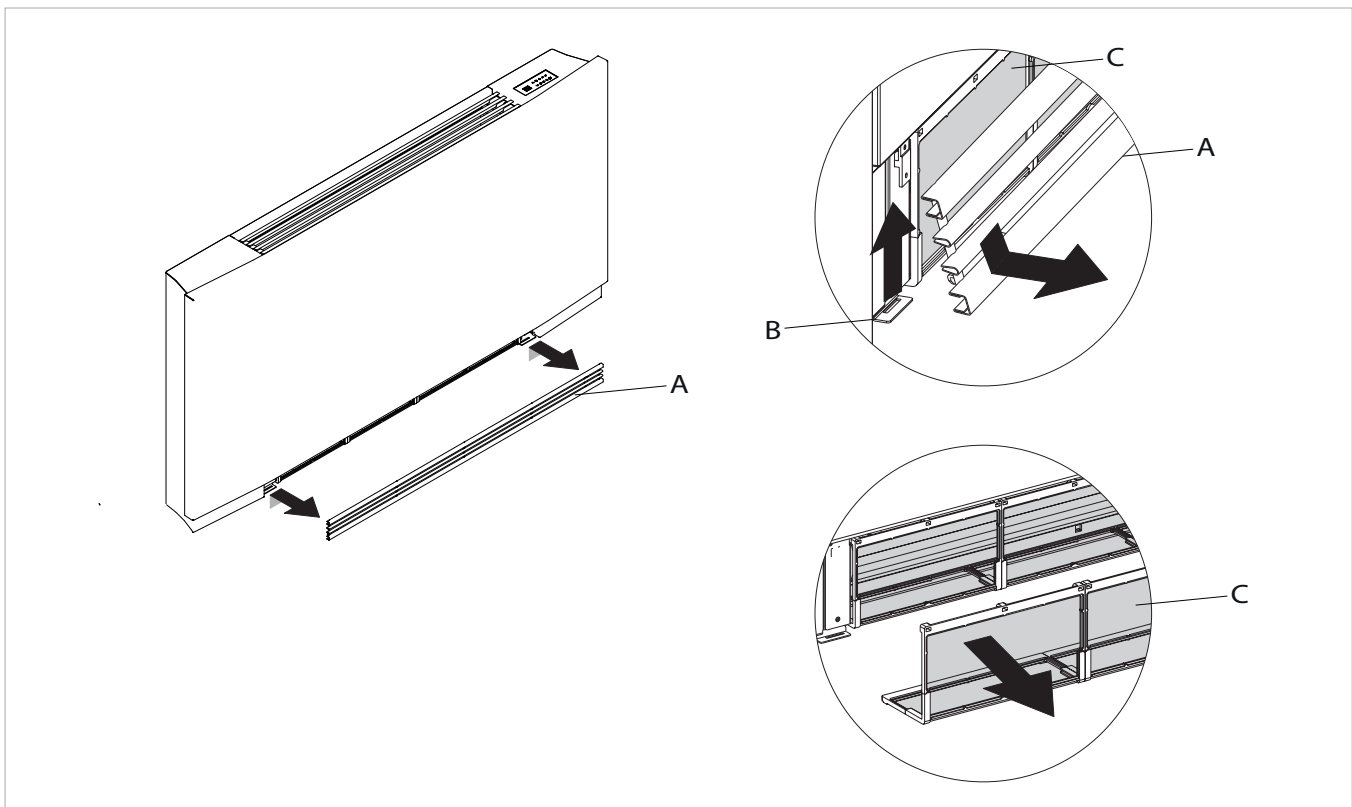
To remove the grill:

- lift the grill until it is completely released from the seat
- tilt the grill and slide it outwards

- then remove the filter by pulling it outwards

A	Front grill
B	Grill hook

C	Filter
----------	--------



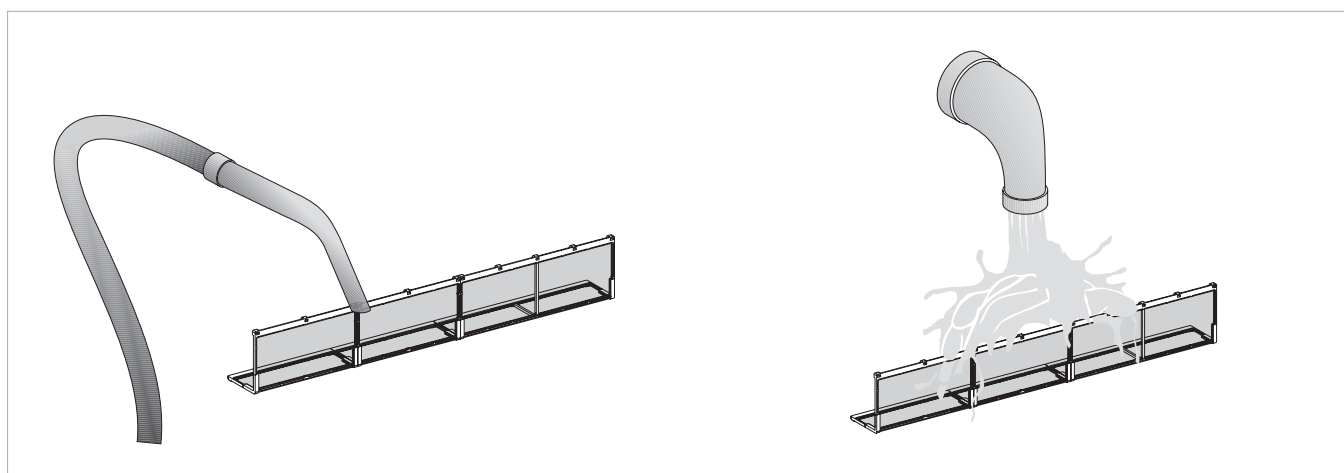
Cleaning filtering seats

- suck up the dust with a vacuum cleaner
- wash the filter with running water without using detergents or solvents, and leave to dry.

⚠ The appliance is fitted with a safety switch that prevents the operation of the fan with the mobile panel missing or out of position.

⊖ It is forbidden to use the unit without the net filters.

⚠ After finishing the cleaning of the filter, check that the panel is mounted correctly.



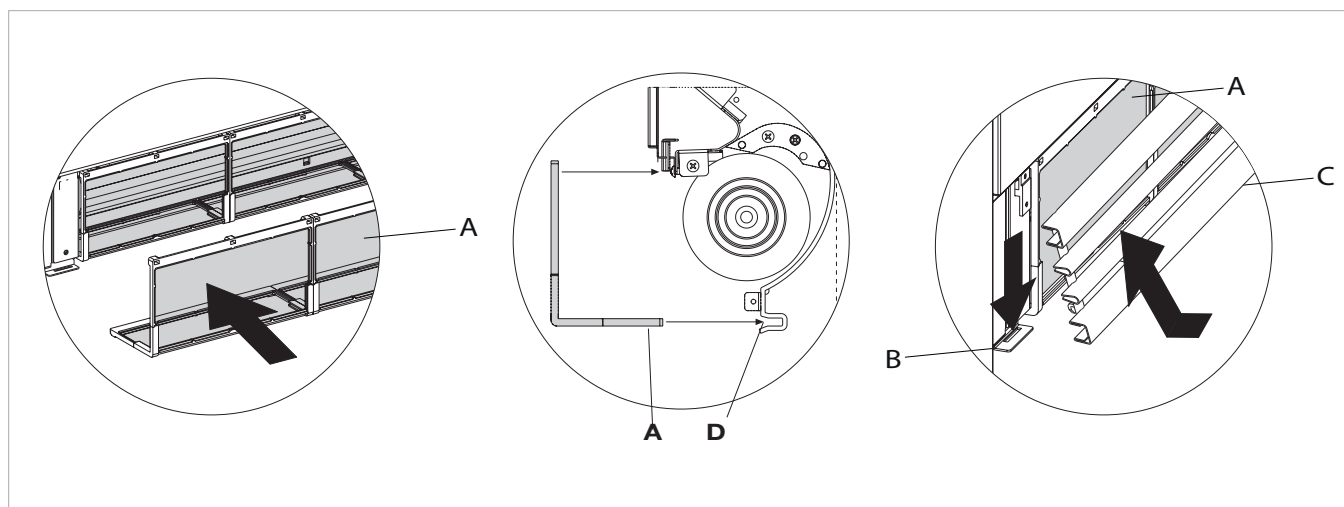
EN

Ending Cleaning Operations

- For the versions with a grill with flaps, insert the two lugs into the special slots, turn it and hook it up with a slight tap on the upper part.

A	Filter
B	Grill hook

C	Front grill
D	The filter housing



2.16 Energy saving tips

- Always keep the filters clean;
- when far possible, keep the doors and windows closed in the room being conditioned;
- limit where possible the effect of direct sun rays in the rooms being conditioned (use curtains, shutters etc.)

TROUBLESHOOTING

3.1 Troubleshooting

- ⚠ In case of water leaks or anomalous functioning immediately cut off the power supply and close the water taps.
- ⚠ Should one of the following anomalies occur, contact an authorised service centre or an authorised qualified person, but do not intervene personally.
 - The ventilation does not activate even if there is hot or cold water in the hydraulic circuit.
 - The appliance leaks water during the heating function.
 - The appliance leaks water only during the cooling function.
 - The appliance makes an excessive noise.
 - There are formations of dew on the front panel.

3.2 Table of anomalies and remedies

The interventions must be carried out by a qualified installer or by a specialised service centre.

Effect	Cause	Remedy
A delayed activation of the ventilation respect to the new temperature or function settings.	The circuit valve needs some time to open and as a result the hot or cold water takes time to circulate in the appliance.	Wait for 2 or 3 minutes to open the circuit valve.
The appliance does not activate the ventilation.	No hot or cold water in the system.	Check that the water boiler or cooler are functioning correctly.
The ventilation does not activate even if there is hot or cold water in the hydraulic circuit.	The hydraulic valve remains closed.	Dismount the valve body and check if the water circulation is restored. Check the working efficiency of the valve by powering it separately with 230V. If it activates the problem could be the electronic control.
	The fan motor is blocked or burnt out.	Check the windings of the motor and the free rotation of the fan.
	The micro-switch that stops the ventilation when the filter grill is opened does not close correctly.	Check that by closing the grill the micro-switch contact is activated.
	The electrical connections are not correct.	Check the electrical connections.
The appliance leaks water during the heating function.	Leaks in the hydraulic connections of the system.	Check the leak and fully tighten the connections.
	Leaks in the valve unit.	Check the state of the gaskets.
There are formations of dew on the front panel.	Thermal insulation detached.	Check the correct positioning of the thermo-acoustic insulation paying attention to that in the front above the finned heat exchanger.
There are drops of water on the air outlet grill.	In situations of high humidity (>60%) condensation could form, especially at the minimum ventilation speeds.	As soon as the humidity starts falling the phenomenon disappears. In any case the presence of a few drops of water in the appliance does not indicate a malfunction.

Effect	Cause	Remedy
The appliance leaks water only during the cooling function.	The condensation bowl is blocked.	Slowly pour a bottle of water in the low part of the battery to check the drainage; if necessary, clean the bowl and/or increase the inclination of the drainage pipe.
	The condensation discharge does not need an inclination for correct drainage.	
	The connection pipes and the valve unit are not insulated well.	Check the insulation of the pipes.
The appliance makes a strange noise.	The fan touches the structure.	Check the clogging of filters and clean them if necessary
	The fan is unbalanced.	The unbalancing causes excessive vibrations of the machine; replace the fan.
	Check the clogging of filters and clean them if necessary	Clean the filters

3.3 Technical Data

FWXV	u.m.	10AATV3(R)	15AATV3(R)	20AATV3(R)
		10ABTV3(R)	15ABTV3(R)	20ABTV3(R)

COOLING PERFORMANCES (W 7/12 °C; A 27 °C)

Total cooling capacity	(1)	kW	1,62	2,64	2,99
Sensible cooling capacity	(1)	kW	1,25	1,91	2,33
Latent cooling capacity	(1)	kW	0,37	0,73	0,66
Water flow	(1)	L/h	365	483	568
Pressure drop	(1)	kPa	11,0	23,0	22,0

HEATING PERFORMANCES (W 45/40 °C; A 20 °C)

Heating capacity	(2)	kW	1,96	2,86	3,50
Water flow	(2)	L/h	380	519	655
Pressure drop	(2)	kPa	11,0	23,0	22,0

HYDRAULIC DATA

Coil water content		L	0,80	1,13	1,46
Maximum operating pressure		bar	10	10	10
Hydraulic connections		" EK	3/4		
Max. inlet water temperature		°C	80	80	80
Min. inlet water temperature		°C	4	4	4

AERAILIC DATA

Air flow at the maximum fan speed	(3)	m³/h	294	438	567
Air flow at medium fan speed		m³/h	210	318	410
Air flow at the minimum fan speed		m³/h	118	180	247
Static pressure available		Pa	10	13	13

ELECTRICAL DATA

Power supply		V/ph/Hz	230-1-50		
Electrical power absorption at maximum fan speed		W	19,0	25,0	31,0
Maximum absorbed current		A	0,16	0,18	0,26
Electrical power absorption at minimum fan speed		W	4,0	6,0	5,0

SOUND DATA

Maximum sound power level		dB(A)	56	57	58
Sound pressure level at maximum air flow	(4)	dB(A)	47	48	49
Sound pressure level at medium air flow	(4)	dB(A)	38	39	40
Sound pressure level at minimum air flow	(4)	dB(A)	31	33	34

Weight		kg	20	23	26
--------	--	----	----	----	----

(1) Water temperature 7/12°C, Air temperature 27°C BS and 19°C BU, EN 1397

(2) Water temperature 45/40°C, Air temperature 20°C BS and 15°C BU, EN 1397

(3) Air flow measured with clean filters

(4) Sound pressure measured at a distance of 1 meter according to ISO7779

FWXM	u.m.	10AATV3(R)	15AATV3(R)	20AATV3(R)	
COOLING PERFORMANCES (W 7/12 °C; A 27 °C)					
Total cooling capacity	(1)	kW	2,12	2,81	3,30
Sensible cooling capacity	(1)	kW	1,72	2,11	2,71
Latent cooling capacity	(1)	kW	0,40	0,70	0,59
Water flow	(1)	L/h	365	483	568
Pressure drop	(1)	kPa	8,2	17,1	18,0
HEATING PERFORMANCES (W 45/40 °C; A 20 °C)					
Heating capacity	(2)	kW	2,21	3,02	3,81
Water flow	(2)	L/h	380	519	655
Pressure drop	(2)	kPa	9,2	19,1	21,2
HYDRAULIC DATA					
Coil water content		L	0,80	1,13	1,46
Maximum operating pressure		bar	10	10	10
Hydraulic connections		" EK	3/4		
Max. inlet water temperature		°C	80	80	80
Min. inlet water temperature		°C	4	4	4
AERAILIC DATA					
Air flow at the maximum fan speed	(3)	m³/h	294	438	567
Air flow at medium fan speed		m³/h	210	318	410
Air flow at the minimum fan speed		m³/h	118	180	247
Static pressure available		Pa	10	13	13
ELECTRICAL DATA					
Power supply		V/ph/Hz	230-1-50		
Electrical power absorption at maximum fan speed		W	19,0	20,0	29,0
Maximum absorbed current		A	0,16	0,18	0,26
Electrical power absorption at minimum fan speed		W	4,0	6,0	5,0
SOUND DATA					
Maximum sound power level		dB(A)	53	54	55
Sound pressure level at maximum air flow	(4)	dB(A)	42	44	46
Sound pressure level at medium air flow	(4)	dB(A)	34	34	35
Sound pressure level at minimum air flow	(4)	dB(A)	25	26	26
Weight		kg	12	15	18

(1) Water temperature 7/12°C, Air temperature 27°C BS and 19°C BU, EN 1397

(2) Water temperature 45/40°C, Air temperature 20°C BS and 15°C BU, EN 1397

(3) Air flow measured with clean filters

(4) Sound pressure measured at a distance of 1 meter according to ISO7779

DAIKIN EUROPE N.V.

Zandvoordestraat 300, B-8400 Oostende, Belgium

Copyright 2019 Daikin

cod. N420249A - 04



MANUALE D'INSTALLAZIONE

Daikin Altherma Ventilconvettore per pompa di calore

FWXV10ABTV3(R)
FWXV15ABTV3(R)
FWXV20ABTV3(R)
FWXV10AATV3(R)
FWXV15AATV3(R)
FWXV20AATV3(R)
FWXM10AATV3(R)
FWXM15AATV3(R)
FWXM20AATV3(R)

Desideriamo innanzitutto ringraziarVi di avere deciso di accordare la vostra preferenza ad un apparecchio di nostra produzione.

Come potrete renderVi conto avete effettuato una scelta vincente in quanto avete acquistato un prodotto che rappresenta lo stato dell'Arte nella tecnologia della climatizzazione domestica.

Mettendo in atto i suggerimenti che sono contenuti in questo manuale, grazie al prodotto che avete acquistato, potrete fruire senza problemi di condizioni ambientali ottimali con il minor investimento in termini energetici.

DAIKIN EUROPE N.V.

Conformità

Questa unità è conforme alle direttive Europee:

- Bassa tensione 2014/35/UE;
- Compatibilità elettromagnetica 2014/30/UE;

Simbologia

I pittogrammi riportati nel seguente capitolo consentono di fornire rapidamente ed in modo univoco informazioni

necessarie alla corretta utilizzazione della macchina in condizioni di sicurezza.

Pittogrammi redazionali

U Utente

- Contrassegna le pagine nelle quali sono contenute istruzioni o informazioni destinate all'utente.

I Installatore

- Contrassegna le pagine nelle quali sono contenute istruzioni o informazioni destinate all'installatore.

S Service

- Contrassegna le pagine nelle quali sono contenute istruzioni o informazioni destinate all'installatore SERVIZIO ASSISTENZA TECNICA CLIENTI.

Pittogrammi relativi alla sicurezza

⚠ Avvertenza

- Che l'operazione descritta presenta, se non effettuata nel rispetto delle normative di sicurezza, il rischio di subire danni fisici.

⚠ Tensione elettrica pericolosa

- Segnala al personale interessato che l'operazione descritta presenta, se non effettuata nel rispetto delle normative di sicurezza, il rischio di subire uno shock elettrico.

⚠ Pericolo di forte calore

- Delle normative di sicurezza, il rischio di subire bruciate per contatto con componenti con elevata temperatura.

⊘ Divieto

- Contrassegna azioni che non si devono assolutamente fare.

Generale

1.1	Avvertenze generali	4
1.2	Regole fondamentali di sicurezza	4
1.3	Gamma prodotti	5
1.4	Dimensioni di ingombro	6

Installazione

2.1	Posizionamento dell'unità	7
2.2	Modalità d'installazione	7
2.3	Distanze minime di installazione.	7
2.4	Accesso al corpo macchina	8
2.5	Rimozione fianchi	9
2.6	Installazione verticale	9
2.7	Installazione a soffitto orizzontale	10
2.8	Collegamenti idraulici	10
2.9	Scarico condensa	11
2.10	Riempimento impianto	12
2.11	Evacuazione dell'aria durante il riempimento dell'impianto	12
2.12	Collegamenti elettrici.	13
2.13	Manutenzione	13
2.14	Pulizia esterna	13
2.15	Pulizia filtro aspirazione aria	14
2.16	Consigli per il risparmio energetico	15

Anomalie e rimedi

3.1	Anomalie e rimedi.	16
3.2	Tabella delle anomalie e rimedi	16
3.3	Dati tecnici	18

IT

GENERALE

1.1 Avvertenze generali

- ⚠ Dopo aver tolto l'imballo assicurarsi dell'integrità e della completezza del contenuto. In caso contrario rivolgersi all'installatore del proprio ufficio affiliato DAIKIN.
- ⚠ L'installazione degli apparecchi DAIKIN deve essere effettuata da impresa abilitata, in ottemperanza alle Norme vigenti ed alle indicazioni fornite dalla DAIKIN nel libretto d'istruzione a corredo dell'apparecchio.
- ⚠ Questi apparecchi sono stati realizzati per il condizionamento e/o il riscaldamento degli ambienti e dovranno essere destinati a questo uso compatibilmente con le loro caratteristiche prestazionali.
È esclusa qualsiasi responsabilità contrattuale ed extracontrattuale a DAIKIN EUROPE N.V. per danni causati a persone, animali o cose, da errori di installazione, di regolazione e di manutenzione o da usi impropri.
- ⚠ In caso di fuoriuscite di acqua, posizionare l'interruttore generale dell'impianto su "spento" e chiudere i rubinetti dell'acqua.
Chiamare, con sollecitudine, il Servizio Tecnico di Assistenza DAIKIN, oppure personale professionalmente qualificato e non intervenire personalmente sull'apparecchio.
- ⚠ La serie FWXM, da incasso, è sprovvista di griglie e di mobile di copertura. Prevedere elementi di protezione e griglie di mandata/ripresa aria tali da impedire contatti accidentali con l'apparecchio.
- ⚠ Il non utilizzo dell'apparecchio per un lungo periodo comporta l'effettuazione delle seguenti operazioni:
 - Posizionare l'interruttore generale dell'impianto su "spento"
 - Chiudere i rubinetti dell'acqua
 - Se c'è pericolo di gelo, accertarsi che l'impianto sia stato addizionato con del liquido antigelo, altrimenti vuotare l'impianto.
- ⚠ Una temperatura troppo bassa o troppo alta è dannosa alla salute e costituisce un inutile spreco di energia.
Evitare il contatto diretto con il flusso dell'aria per un periodo prolungato.
- ⚠ Evitare che il locale rimanga chiuso a lungo. Periodicamente aprire le finestre per assicurare un corretto ricambio d'aria.
- ⚠ Questo libretto d'istruzione è parte integrante dell'apparecchio e di conseguenza deve essere conservato con cura e dovrà SEMPRE accompagnare l'apparecchio anche in caso di sua cessione ad altro proprietario o utente oppure di un trasferimento su un altro impianto. In caso di suo danneggiamento o smarrimento richiederne un altro esemplare al Servizio Tecnico di Assistenza DAIKIN di zona.
- ⚠ Gli interventi di riparazione o manutenzione devono essere eseguiti dal Servizio Tecnico di Assistenza o da personale qualificato secondo quanto previsto dal presente libretto. Non modificare o manomettere l'apparecchio in quanto si possono creare situazioni di pericolo ed il costruttore dell'apparecchio non sarà responsabile di eventuali danni provocati.
- ⚠ Prestare molta attenzione al contatto, pericolo scottature.

1.2 Regole fondamentali di sicurezza

- ⊖ Ricordiamo che l'utilizzo di prodotti che impiegano energia elettrica ed acqua, comporta l'osservanza di alcune regole fondamentali di sicurezza quali:
 - ⊖ L'apparecchio può essere utilizzato da bambini di età non inferiore a 8 anni e da persone con ridotte capacità fisiche, sensoriali o mentali, o prive di esperienza o della necessaria conoscenza, purché sotto sorveglianza oppure dopo che le stesse abbiano ricevuto istruzioni relative all'uso sicuro dell'apparecchio e alla comprensione dei pericoli ad esso inerenti.
I bambini non devono giocare con l'apparecchio.
La pulizia e la manutenzione destinata ad essere effettuata dall'utilizzatore non deve essere effettuata da bambini senza sorveglianza.
 - ⊖ È vietato toccare l'apparecchio se si è a piedi nudi e con parti del corpo bagnate o umide.
 - ⊖ È vietata qualsiasi operazione di pulizia, prima di aver scollegato l'apparecchio dalla rete di alimentazione elettrica posizionando l'interruttore generale dell'impianto su "spento".
 - ⊖ È vietato modificare i dispositivi di sicurezza o di regolazione senza l'autorizzazione e le indicazioni del costruttore dell'apparecchio.
 - ⊖ È vietato tirare, staccare, torcere i cavi elettrici fuoriuscenti dall'apparecchio, anche se questo è scollegato dalla rete di alimentazione elettrica.

- ⊖ È vietato introdurre oggetti e sostanze attraverso le griglie di aspirazione e mandata d'aria.
- ⊖ È vietato salire con i piedi sull'apparecchio e/o appoggiarvi qualsiasi tipo di oggetto.
- ⊖ È vietato aprire gli sportelli di accesso alle parti interne dell'apparecchio, senza aver prima posizionato l'interruttore generale dell'impianto su "spento".
- ⊖ L'apparecchio può raggiungere temperature, sui componenti esterni, superiori ai 70°C.
- ⊖ È vietato disperdere e lasciare alla portata di bambini il materiale dell'imballo in quanto può essere potenziale fonte di pericolo.

1.3 Gamma prodotti

I ventilconvettori DAIKIN si dividono in due tipologie FWXV e FWXM, ciascuna delle quali è realizzata in tre taglie di diverse prestazioni e dimensioni

Serie FWXV

ventilconvettore con mobile metallico

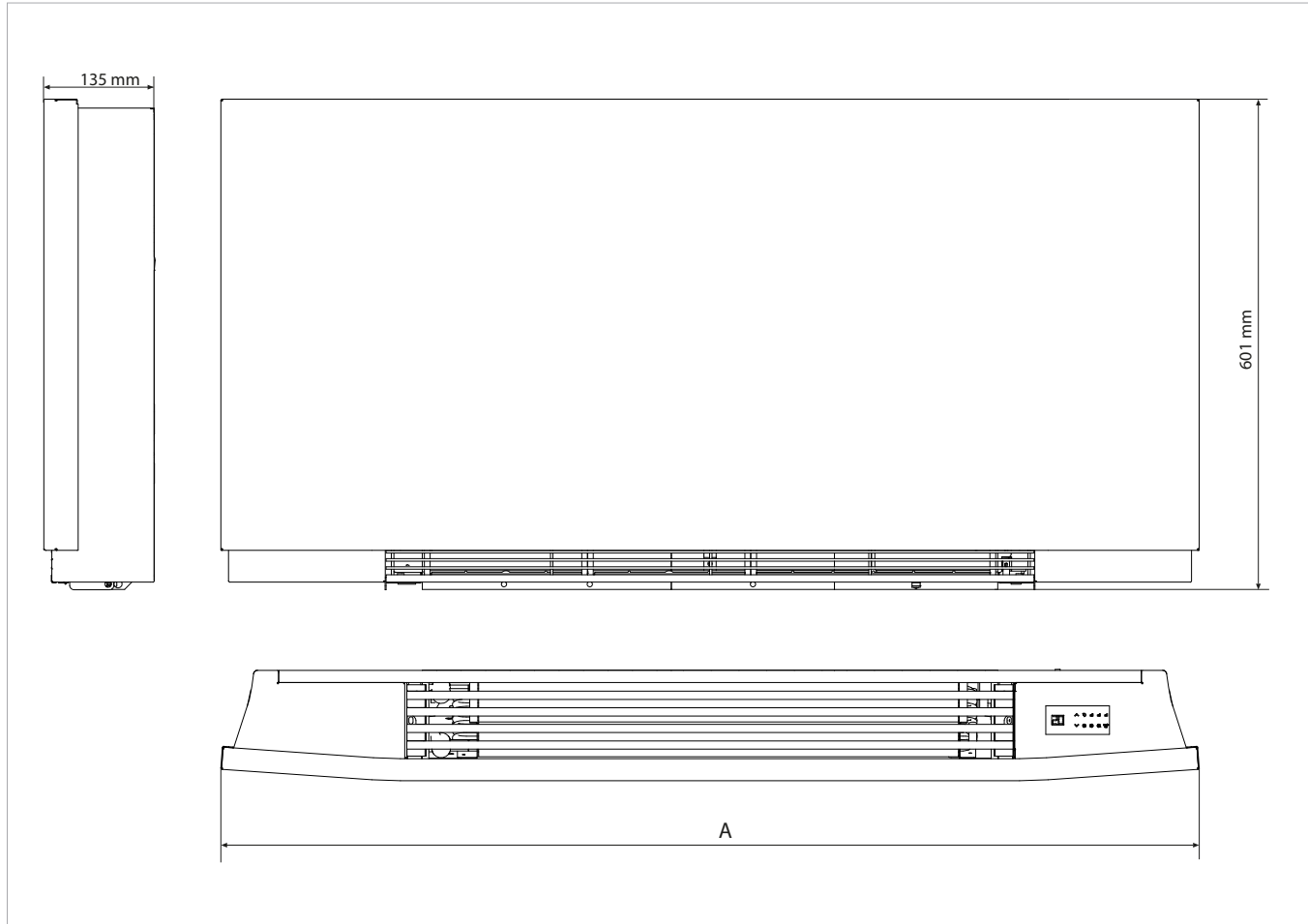
Serie FWXM

ventilconvettore ad incasso senza pannellature

1.4 Dimensioni d'ingombro

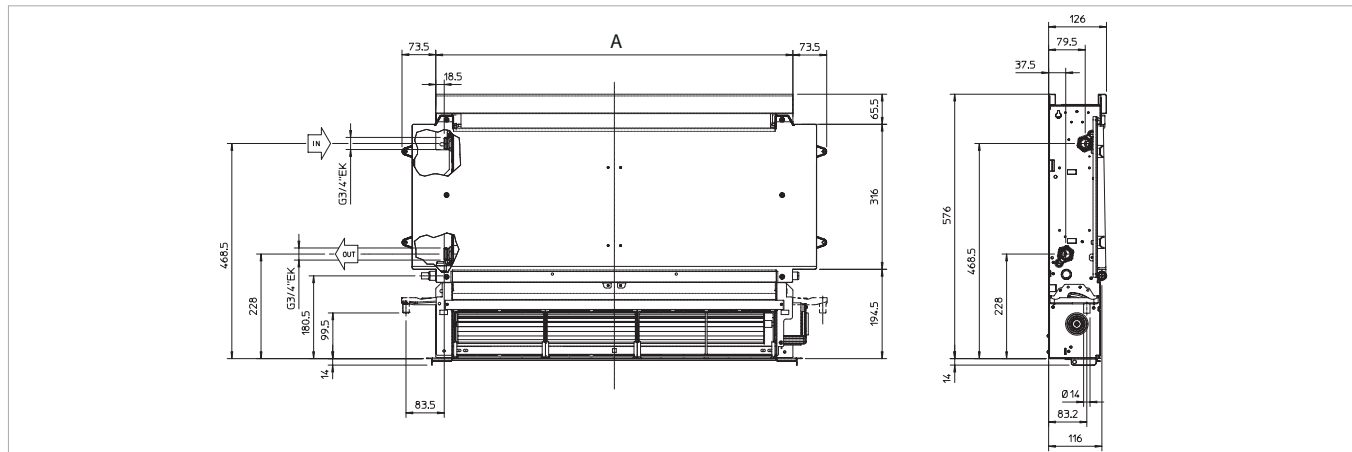
	U.M.	FWXV10AATV3(R)	FWXV15AATV3(R)	FWXV20AATV3(R)
		FWXV10ABTV3(R)	FWXV15ABTV3(R)	FWXV20ABTV3(R)
Dimensioni				
A	mm	999	1199	1399

FWXV



	U.M.	FWXM10AATV3(R)	FWXM15AATV3(R)	FWXM20AATV3(R)
Dimensioni				
A	mm	578	778	978

FWXM



INSTALLAZIONE

2.1 Posizionamento dell'unità

- ⚠ Evitare l'installazione dell'unità in prossimità di:
- posizioni soggette all'esposizione diretta dei raggi solari;
 - in prossimità di fonti di calore;
 - in ambienti umidi e zone con probabile contatto con l'acqua;
 - in ambienti con vapori d'olio
 - in ambienti sottoposti ad alte frequenze.

- ⚠ Accertarsi che:
- la parete su cui si intende installare l'unità abbia una struttura e una portata adeguata;

- la zona della parete interessata non sia percorsa da tubazioni o linee elettriche
- la parete interessata sia perfettamente in piano;
- sia presente un'area libera da ostacoli che potrebbero compromettere la circolazione dell'aria in ingresso ed uscita;
- la parete di installazione sia possibilmente una parete di perimetro esterno per consentire lo scarico della condensa all'esterno;
- in caso di installazione a soffitto (serie FWXM) il flusso dell'aria non sia rivolto direttamente verso le persone.

2.2 Modalità d'installazione

Le seguenti descrizioni sulle varie fasi di montaggio ed i relativi disegni fanno riferimento ad una versione di macchina con attacchi a sinistra.

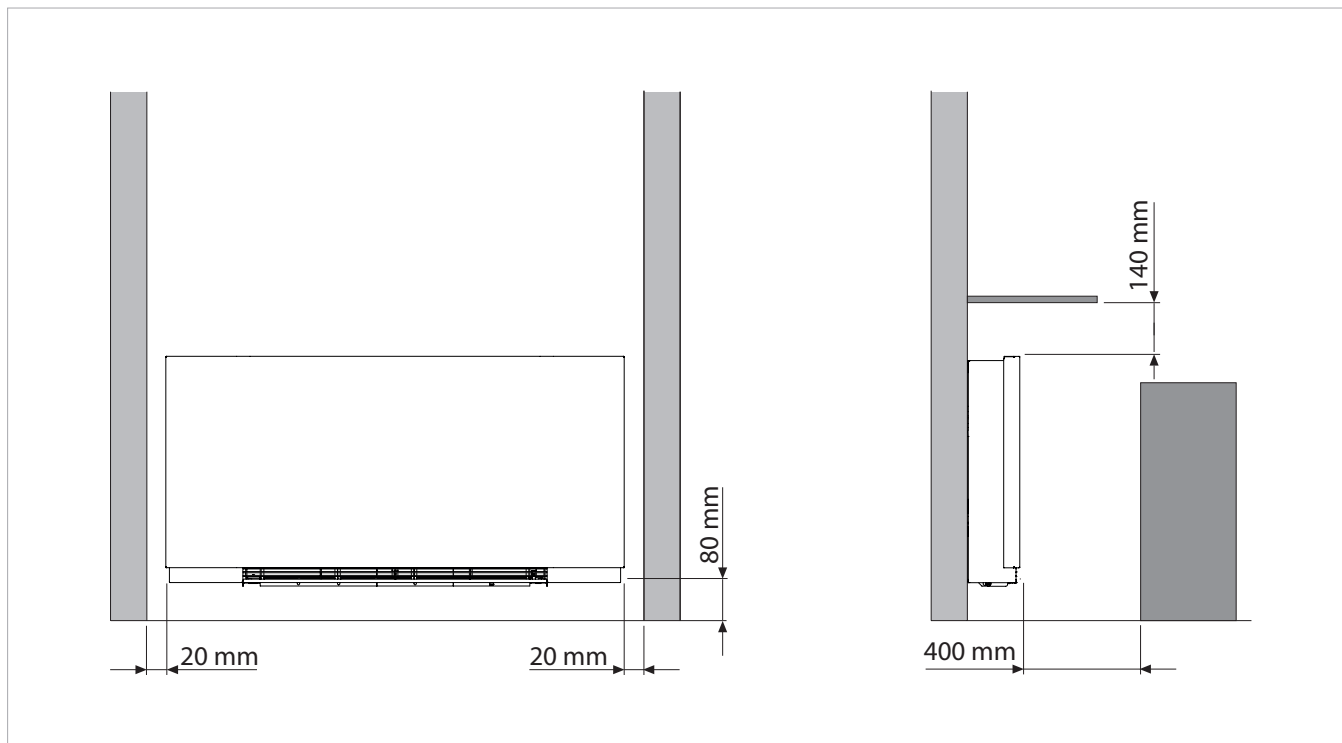
Le descrizioni per le operazioni di montaggio delle macchine con attacchi a destra (R) sono le medesime.

Solo le immagini sono da considerarsi rappresentate specularmente.

Per ottenere una buona riuscita dell'installazione e prestazioni di funzionamento ottimali, seguire attentamente quanto indicato nel presente manuale. La mancata applicazione delle norme indicate, che può causare mal funzionamenti delle apparecchiature, sollevano la ditta DAIKIN EUROPE N.V. da ogni forma di garanzia e da eventuali danni causati a persone, animali o cose.

2.3 Distanze minime di installazione

Nella figura sono indicate le distanze minime di montaggio del ventilconvettore da pareti e mobili presenti nell'ambiente



2.4 Accesso al corpo macchina

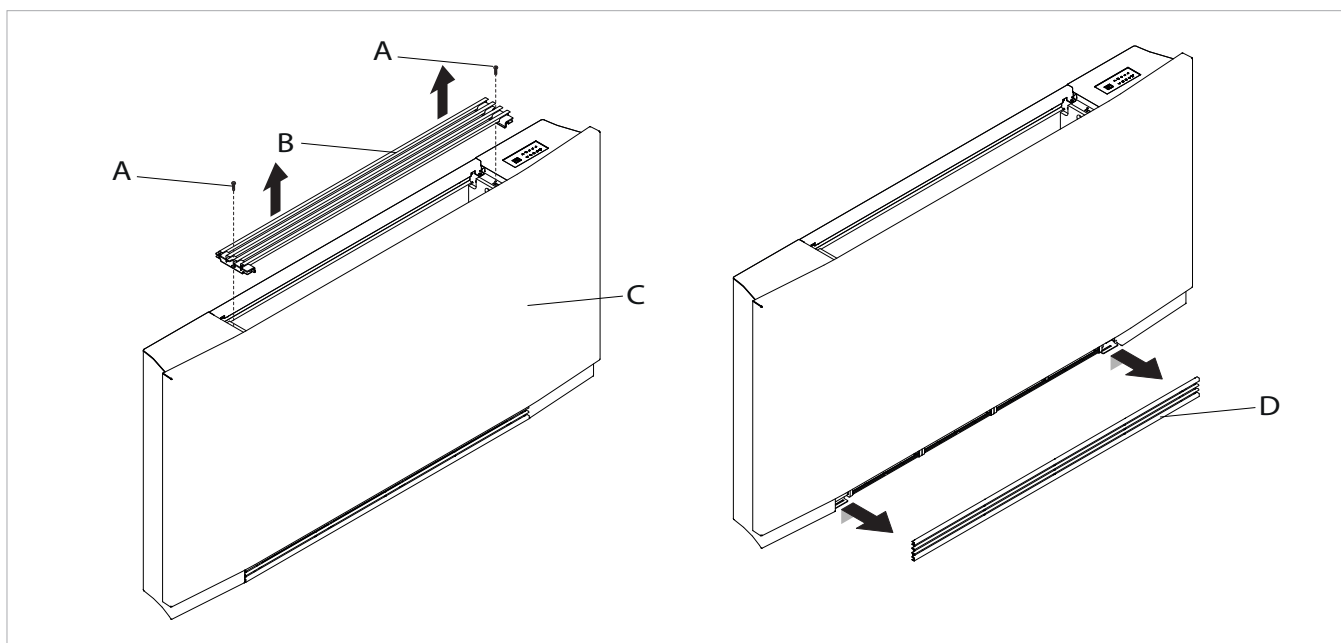
Per accedere alla parte interna della macchina seguire le seguenti procedure.

Togliere la griglia superiore:
 - svitare le viti di fissaggio
 - togliere la griglia alzandola

Togliere la griglia anteriore:
 - sollevare la griglia fino alla completa uscita dalla sede
 - inclinare la griglia
 - sfilare verso l'esterno

A	viti di fissaggio
B	griglia superiore

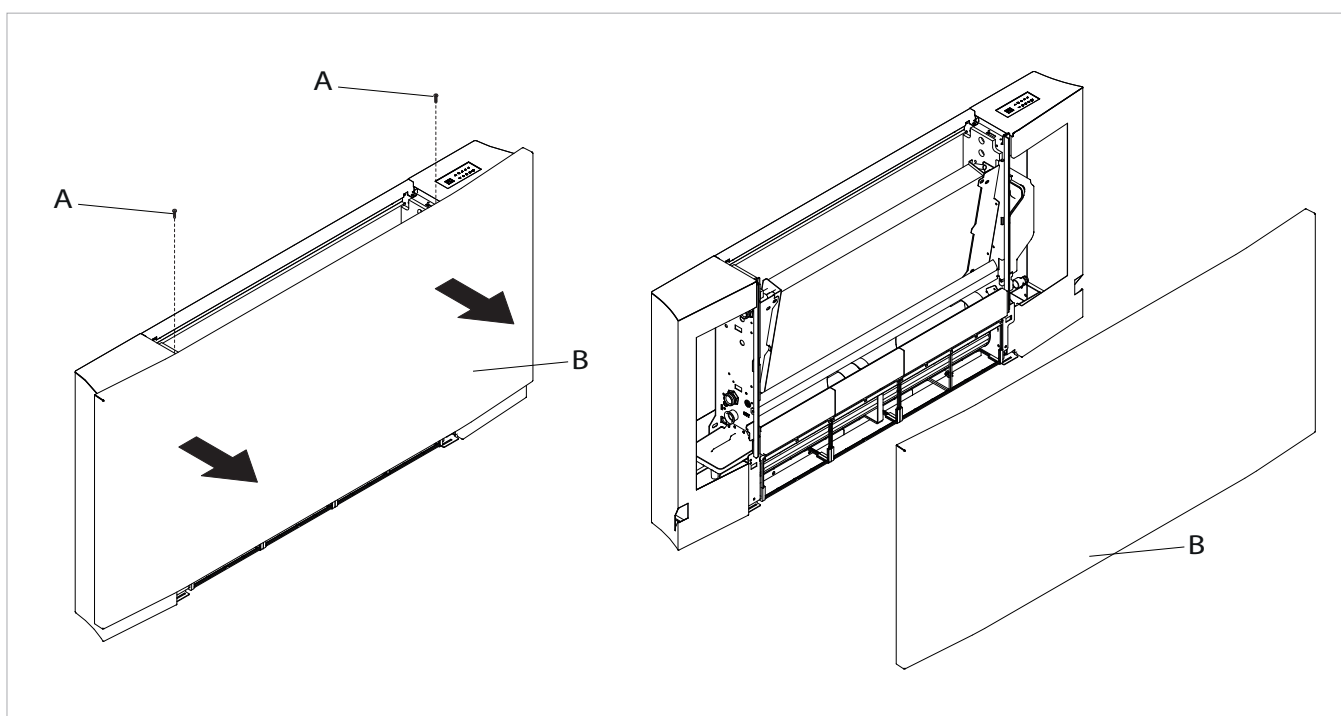
C	pannello frontale
D	griglia inferiore



Togliere il pannello frontale:
 - svitare le viti di fissaggio
 - rimuovere il pannello

A	viti di fissaggio
----------	-------------------

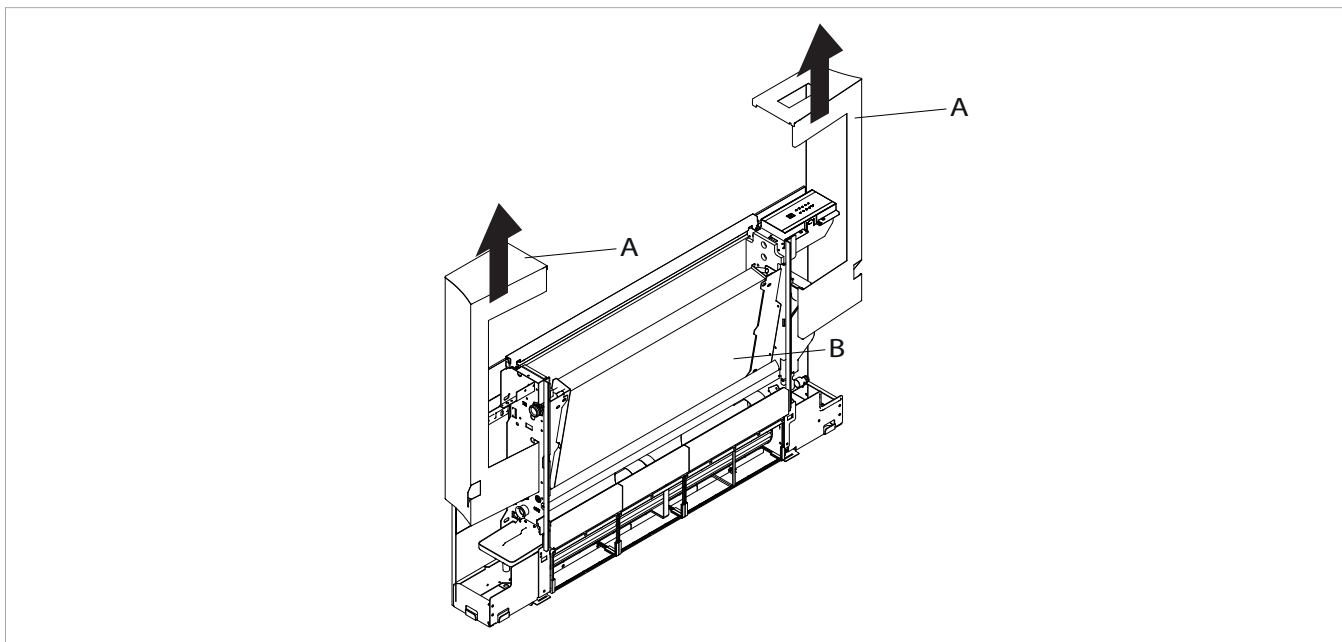
B	pannello frontale
----------	-------------------



2.5 Rimozione fianchi

Per rimuovere i fianchi:
 - sfilare i fianchi verso l'alto

A	Fianchi
B	Corpo macchina



2.6 Installazione a parete o pavimento verticale

Utilizzare la dima di carta, e tracciare sulla parete la posizione delle due staffe di fissaggio. Forare con una punta adeguata ed infilare i tasselli (2 per ogni staffa); fissare le due staffe. Non stringere eccessivamente le viti, in modo da poter effettuare una regolazione delle staffe con una bolla di livello. Installare l'unità a livello (con un'eventuale tolleranza del 1-2% verso il tubo di drenaggio per agevolare la fuoriuscita dell'acqua). Bloccare definitivamente le due staffe serrando completamente le quattro viti. Verificarne la stabilità spostando manualmente le staffe verso destra e sinistra, alto e basso.

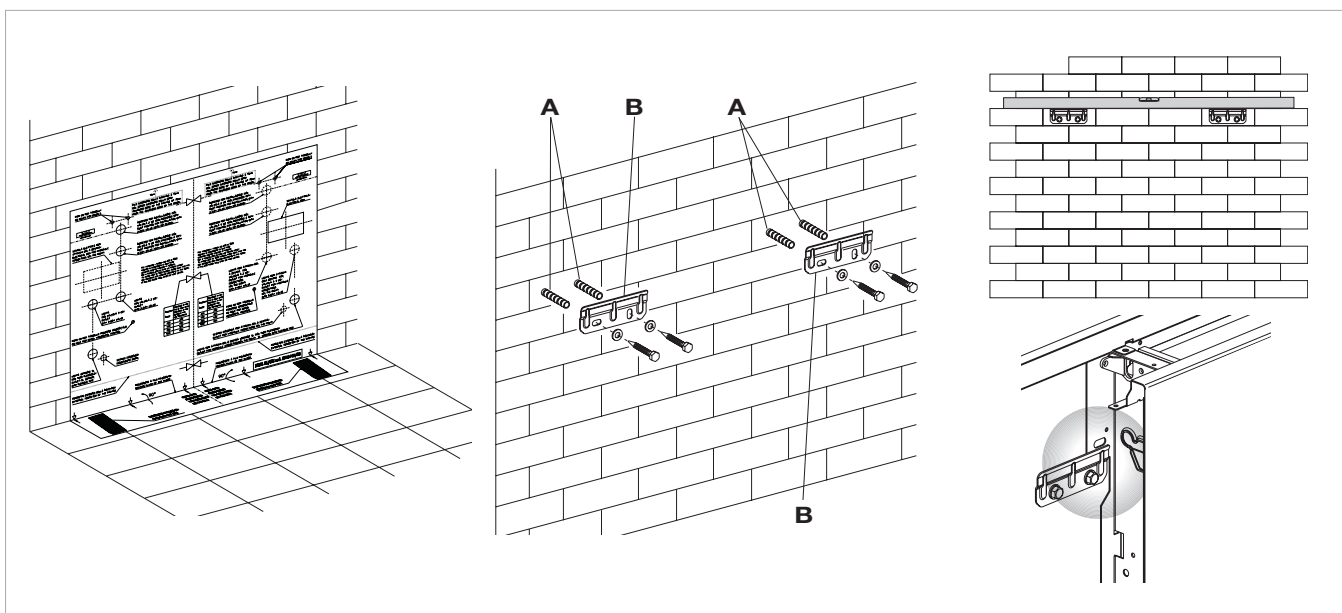
Montare l'unità, verificando il corretto aggancio sulle staffe e la sua stabilità.

N.B.: per agevolare il raccordo delle tubazioni agli attacchi del ventilconvettore installare una cassetta da incasso in corrispondenza dell'uscita delle tubazioni stesse. La corretta posizione della cassetta è indicata sulla dima di installazione.

IT

A	tasselli
----------	----------

B	staffe
----------	--------



2.7 Installazione a soffitto orizzontale


Utilizzare la dima di carta, e tracciare a soffitto la posizione delle due staffe di fissaggio e delle due viti posteriori. Forare con una punta adeguata ed infilare i tasselli (2 per ogni staffa); fissare le due staffe. Non stringere eccessivamente le viti.

Infilare la macchina sulle due staffe, mantenendola in posizione quindi fissare le due viti nei tasselli posteriori, una per ogni lato.

Installare l'unità a livello (con un'eventuale tolleranza del 1-2% verso il tubo di drenaggio per agevolare la fuoriuscita dell'acqua).

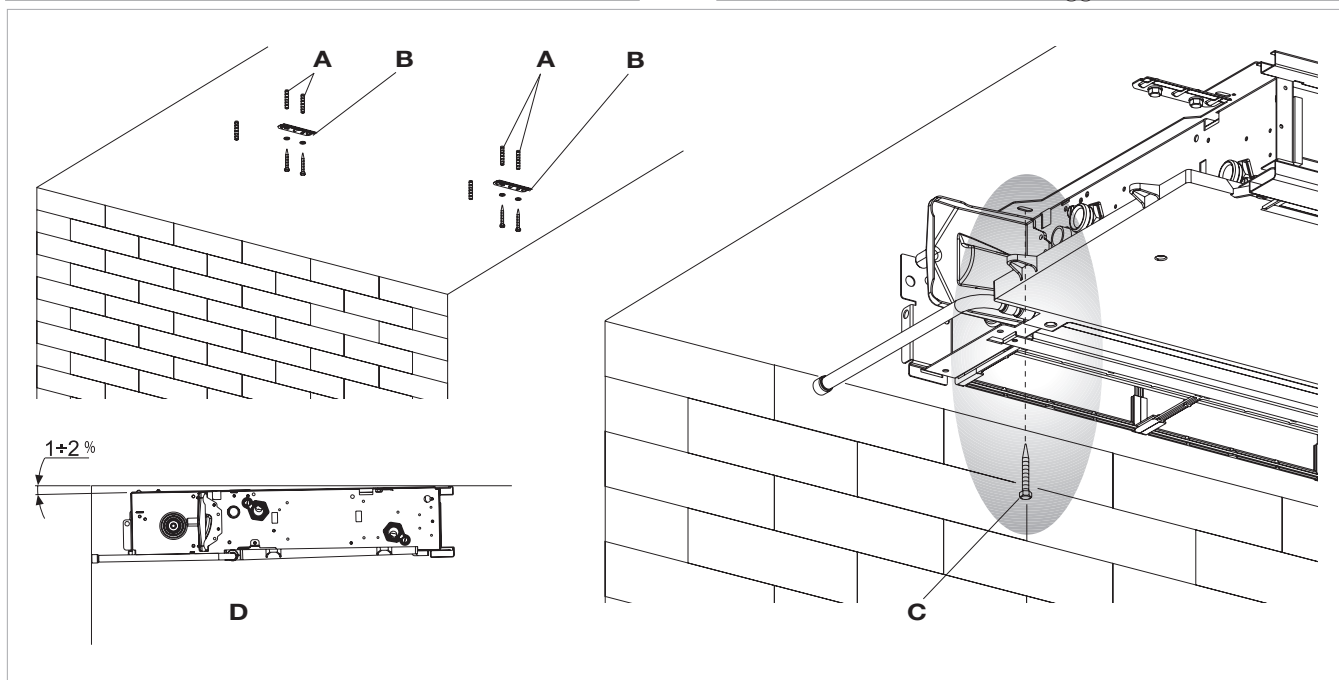
Stringere definitivamente tutte le 6 viti di fissaggio.

Per l'installazione della serie FWXV sono disponibili kit di accessori per bacini di raccolta condensa orizzontali EKM (10/15/20) COH.

 Verificare attentamente l'inclinazione del tubo di scarico. L'eventuale contropendenza della linea di scarico può provocare perdite d'acqua

A	tasselli
B	staffe

C	viti
D	inclinazione tubo di drenaggio



2.8 Collegamenti idraulici

FWXV/FWXM	U.M.	10AATV3(R)	15AATV3(R)	20AATV3(R)
FWXV	U.M.	10ABTV3(R)	15ABTV3(R)	20ABTV3(R)
Diametro min. nominale tubazioni	mm	14	16	18

N.B.: il diametro nominale, se non diversamente indicato, fa sempre riferimento al diametro interno.

Per evitare formazione di condensa superficiale è sempre raccomandato installare kit valvole elettriche, fatto salvo il caso in cui venga previsto un comando elettrico (ad es. testina elettrotermica) a monte dell'apparecchio.

La scelta ed il dimensionamento delle linee idrauliche è demandato per competenza al progettista, che dovrà operare secondo le regole della buona tecnica e delle legislazioni vigenti, tenendo conto che tubazioni sottodimensionate determinano un cattivo funzionamento.


Per effettuare i collegamenti:

- posizionare le linee idrauliche
- serrare le connessioni utilizzando il metodo "chiave contro chiave"
- verificare l'eventuale perdita di liquido
- rivestire le connessioni con materiale isolante

 Le linee idrauliche e le giunzioni devono essere isolate termicamente.

 Evitare isolamenti parziali delle tubazioni.

 Evitare di stringere troppo per non danneggiare l'isolamento.

 Per la tenuta idrica delle connessioni filettate utilizzare canapa e pasta verde; l'utilizzo di nastro di teflon è consigliato in presenza di liquido antigelo nel circuito idraulico.

2.9 Scarico condensa

La rete di scarico della condensa deve essere opportunamente dimensionata e la tubazione posizionata in modo da mantenere sempre lungo il percorso una determinata pendenza, mai inferiore a 1° o all'1%. Nell'installazione verticale il tubo di scarico si collega direttamente alla vaschetta di scarico, posizionata in basso sulla spalla laterale, sotto gli attacchi idraulici. Nell'installazione orizzontale (serie FWXM) il tubo di scarico viene allacciato a quello già presente sulla macchina.

- Se possibile fare defluire il liquido di condensa direttamente in una grondaia o in uno scarico di "acqua bianche".
- In caso di scarico nella rete fognaria, si consiglia di realizzare un sifone per impedire la risalita dei cattivi odori verso gli ambienti. La curva del sifone deve essere più in basso rispetto alla bacinella di raccolta condensa.

- Nel caso si debba scaricare la condensa all'interno di un recipiente, questo deve restare aperto all'atmosfera ed il tubo non deve essere immerso in acqua, evitando fenomeni di adesività e contropressioni che ostacolerebbero il libero deflusso.
- Nel caso si debba superare un dislivello che ostacolerebbe il deflusso della condensa, è necessario montare una pompa:
 - per l'installazione verticale montare la pompa sotto la vaschetta di drenaggio laterale;
 - per l'installazione orizzontale la posizione della pompa deve essere decisa in funzione delle specifiche esigenze.

E' comunque opportuno, al termine dell'installazione, verificare il corretto deflusso del liquido di condensa versando molto lentamente (circa 1/2 l di acqua in circa 5-10 minuti) nella vaschetta di raccolta.

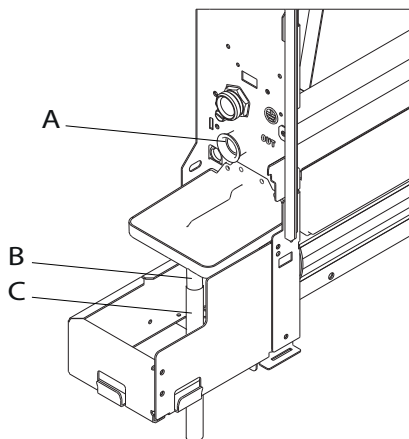
Montaggio del tubo di scarico della condensa nella versione verticale

Collegare al raccordo di scarico della vaschetta raccogli condensa un tubo per il deflusso del liquido bloccandolo

in modo adeguato. Verificare che la prolunga rompigoccia sia presente e correttamente installata.

A	prolunga rompigoccia
B	Raccordo di scarico - Ø14 mm

C	tubo per il deflusso del liquido
----------	----------------------------------



Montaggio del tubo di scarico della condensa nella versione orizzontale

Per montare la vaschetta orizzontale della serie FWXM fare riferimento alle istruzioni in kit EKM (10/15/20) COH.

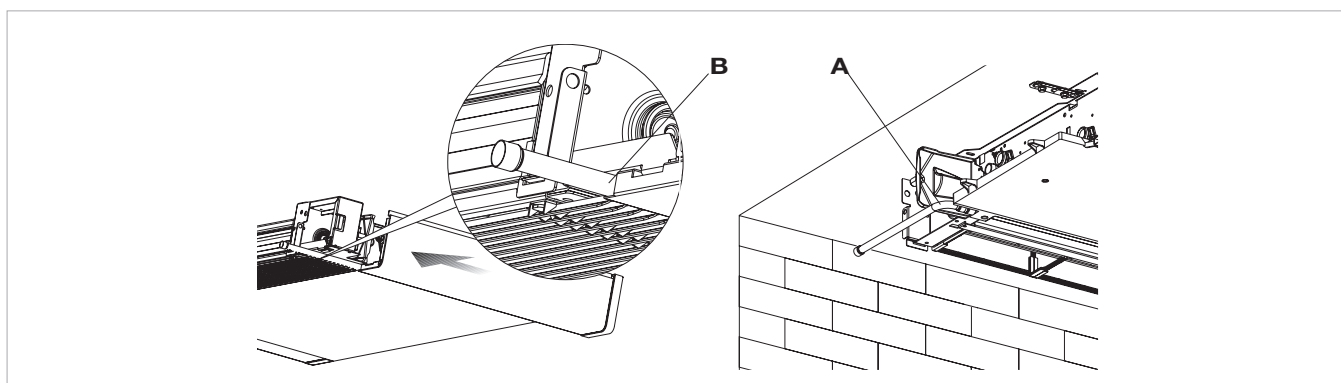
- controllare che il tubo ad "L" e quello flessibile in gomma siano collegati correttamente alla bacinella;
- infilare il fianco della macchina tenendo il tubo in posizione contro la griglia anteriore;
- chiudere completamente il fianco verificando che il tubo rimanga bloccato nell'apposito scasso presente sul lato.

Per l'installazione orizzontale osservare le seguenti avvertenze:

- assicurarsi che la macchina sia installata perfettamente a livello, o con una leggera inclinazione nel verso dello scarico della condensa;
- coibentare bene i tubi di mandata e ritorno fino all'imbocco della macchina, in modo da impedire gocciolamenti di condensa all'esterno della bacinella di raccolta stessa;
- coibentare il tubo di scarico della condensa della bacinella per tutta la sua lunghezza.

A allacciamento tubi - Ø14 mm

B scasso



2.10 Riempimento impianto

Durante l'avviamento dell'impianto assicurarsi che il detentore sul gruppo idraulico sia aperto. Se ci si trova in mancanza di alimentazione elettrica e la termovalvola

è già stata alimentata precedentemente sarà necessario utilizzare l'apposito cappuccio per premere l'otturatore della valvola per aprirla.

2.11 Evacuazione dell'aria durante il riempimento dell'impianto

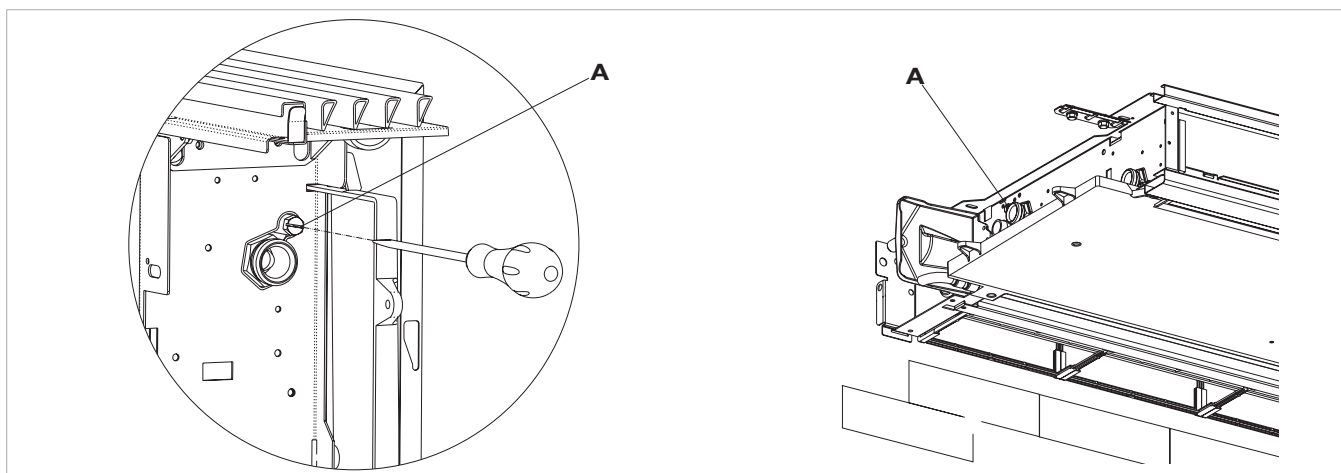
- Aprire tutti i dispositivi di intercettazione dell'impianto (manuali o automatici);
- Iniziare il riempimento aprendo lentamente il rubinetto di carico acqua impianto;
- Per i modelli installati in posizione verticale agire (utilizzando un cacciavite) sulla sfiata della batteria posto più in alto; per gli apparecchi installati orizzontalmente agire sullo sfiato posizionato più in alto;
- Quando comincia ad uscire acqua dalle valvole di sfiato dell'apparecchio, chiuderle e continuare

il caricamento fino al valore nominale previsto per l'impianto.

Verificare la tenuta idraulica delle guarnizioni.

Si consiglia di ripetere questa operazione dopo che l'apparecchio ha funzionato per alcune ore e di controllare periodicamente la pressione dell'impianto.

A sfiato della batteria



2.12 Collegamenti elettrici

Effettuare i collegamenti elettrici attenendosi alle prescrizioni riportate nei capitoli Avvertenze generali e Regole fondamentali di sicurezza facendo riferimento agli schemi presenti nei manuali d'installazione degli accessori. Prima di effettuare qualsiasi intervento, assicurarsi che l'alimentazione elettrica sia disinserita.

L'apparecchio deve essere collegato alla rete di alimentazione per mezzo di un interruttore omipolare con distanza minima di apertura dei contatti di almeno 3mm ovvero di un dispositivo che consente la disconnessione completa dell'apparecchio nelle condizioni della categoria di sovratensione III.

2.13 Manutenzione

La manutenzione periodica è indispensabile per mantenere il convettore a pompa di calore DAIKIN sempre efficiente, sicuro ed affidabile nel tempo. Essa può essere effettuata con periodicità semestrale, per alcuni interventi

e annuale per altri, dal Servizio Tecnico di Assistenza, che è tecnicamente abilitato e preparato e può inoltre disporre, se necessario, di ricambi originali.

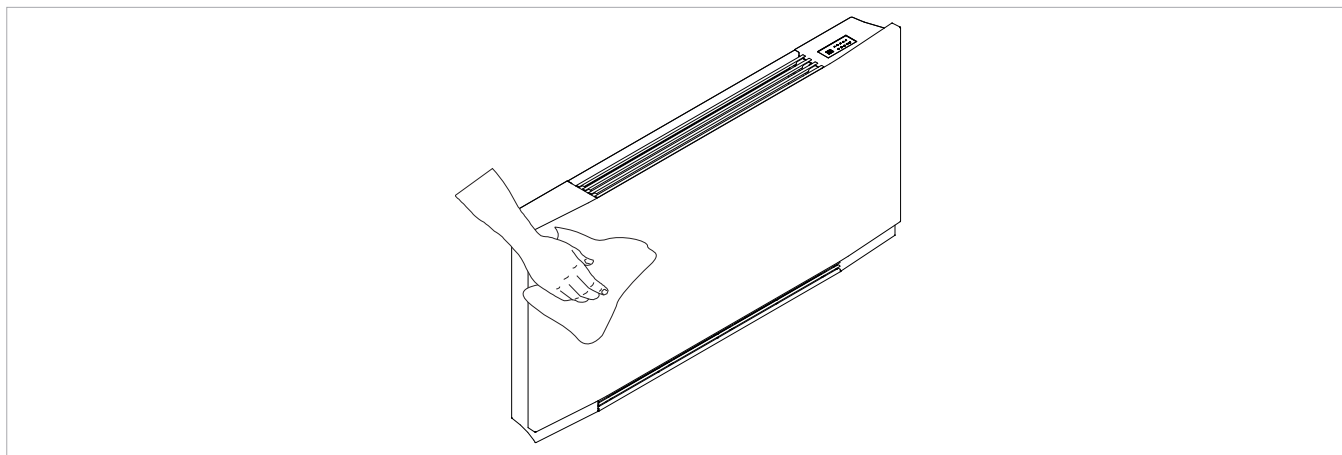
2.14 Pulizia esterna

⚠ Prima di ogni intervento di pulizia e manutenzione scollegare l'unità dalla rete elettrica spegnendo l'interruttore generale di alimentazione.

⚠ Attendere il raffreddamento dei componenti per evitare il pericolo di scottature.

⚠ Non usare spugne abrasive o detersivi abrasivi o corrosivi per non danneggiare le superfici verniciate.

Quando necessita pulire le superfici esterne del convettore a pompa di calore DAIKIN con un panno morbido e inumidito con acqua.



2.15 Pulizia filtro aspirazione aria

Dopo un periodo di funzionamento continuativo ed in considerazione della concentrazione di impurità nell'aria,

oppure quando si intende riavviare l'impianto dopo un periodo di inattività, procedere come descritto.

Estrazione celle filtranti

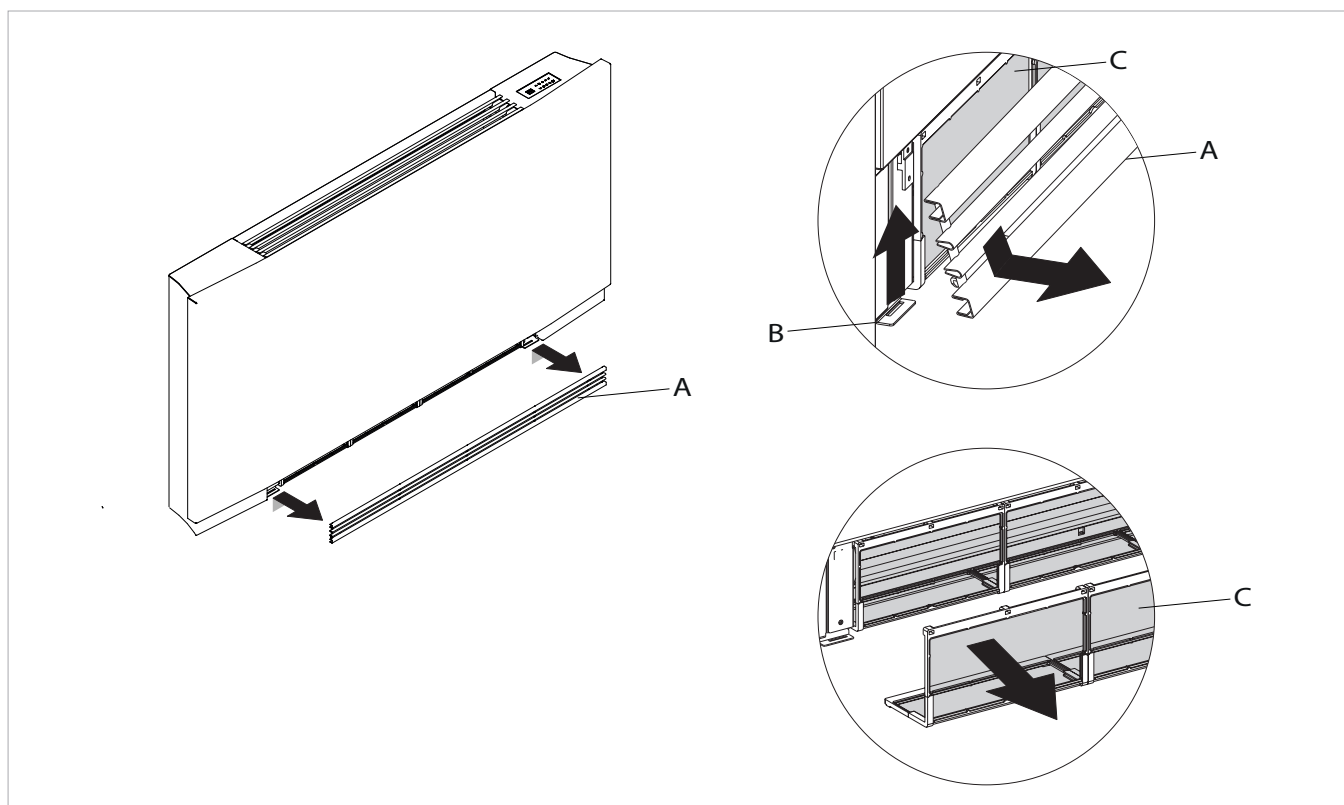
Per rimuovere la griglia:

- sollevare la griglia fino alla completa fuoriuscita dalla sede

- inclinare la griglia e sfilarla verso l'esterno
- estrarre quindi il filtro sfilandolo verso l'esterno

A	griglia anteriore
B	sede griglia

C	filtro
----------	--------



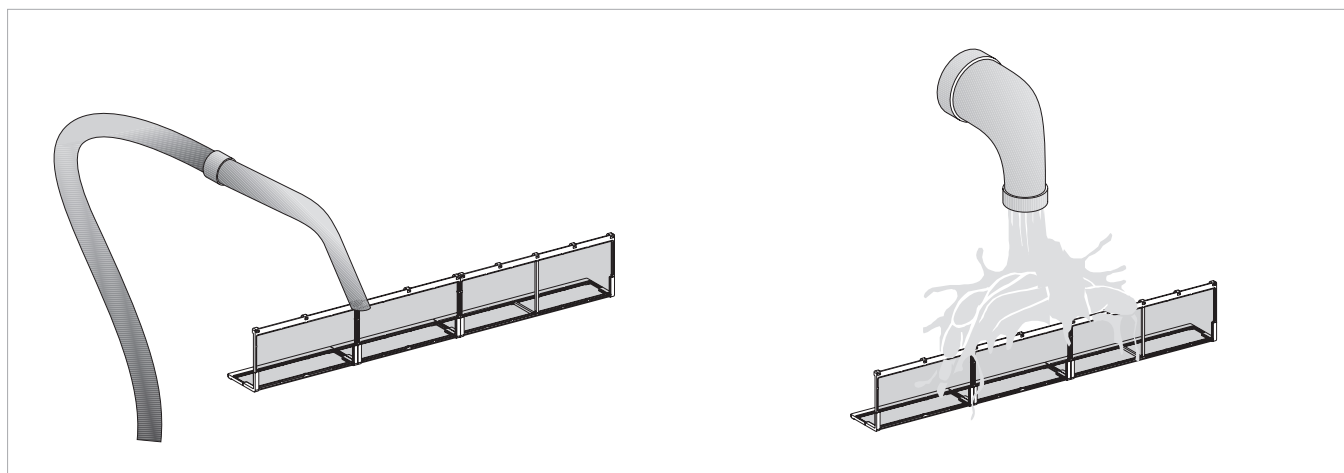
Pulizia setti filtranti

- aspirare la polvere dal filtro con un aspirapolvere
- lavare sotto acqua corrente, senza utilizzare detergenti o solventi, il filtro, e lasciare asciugare.

⊖ E' vietato l'uso dell'apparecchio senza il filtro a rete.

⚠ L'apparecchio è dotato di un interruttore di sicurezza che impedisce il funzionamento del ventilatore in assenza o con pannello mobile mal posizionato.

⚠ Dopo le operazioni di pulizia del filtro verificare il corretto montaggio del pannello.

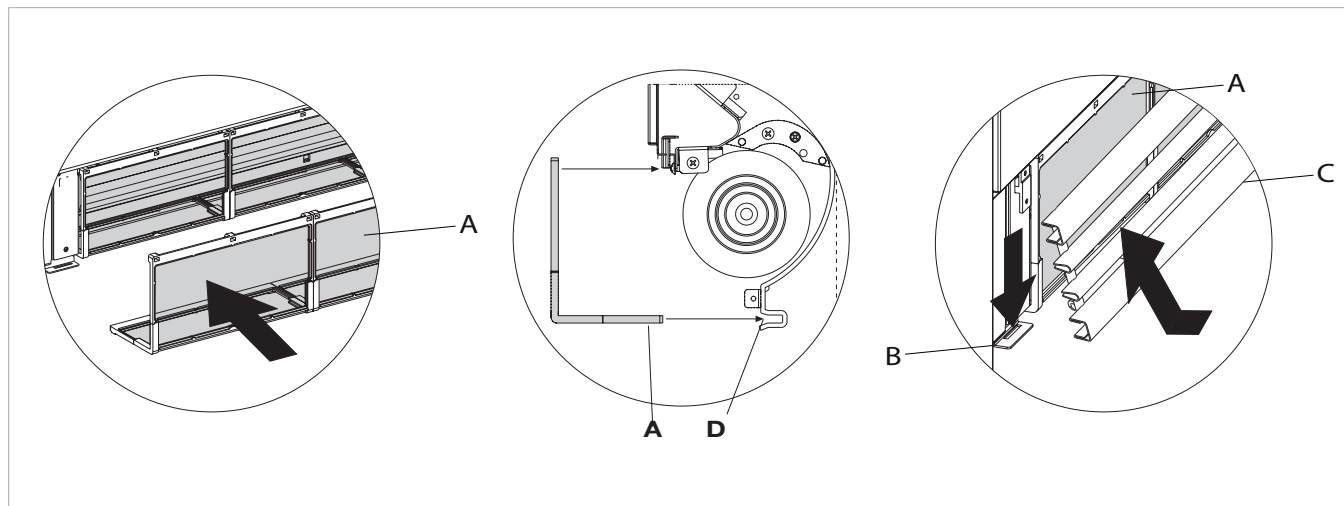


Termine operazioni di pulizia

- Per le versioni con griglia ad alette infilare le due linguette nelle apposite asole, farla ruotare ed agganciarla con un leggero colpo nella parte superiore.

A	filtro
B	gancio

C	griglia anteriore
D	sede del filtro



2.16 Consigli per il risparmio energetico

- Mantenere costantemente puliti i filtri;
- mantenere, per quanto possibile, chiuse porte e finestre dei locali da climatizzare;
- limitare, per quanto possibile, in estate, l'irradiazione diretta dei raggi solari negli ambienti da climatizzare (utilizzare tende, tapparelle, ecc.).

ANOMALIE E RIMEDI

3.1 Anomalie e rimedi

- ⚠ In caso di fuoriuscite di acqua o di funzionamento anomalo, staccare immediatamente l'alimentazione elettrica e chiudere i rubinetti dell'acqua.
- ⚠ In caso si riscontrasse una delle seguenti anomalie contattare un centro di assistenza autorizzato o personale professionalmente qualificato e non intervenire personalmente.
- La ventilazione non si attiva anche se nel circuito idraulico è presente acqua calda o fredda.
 - L'apparecchio perde acqua in funzione riscaldamento.
 - L'apparecchio perde acqua nella sola funzione di raffreddamento.
 - L'apparecchio emette un rumore eccessivo.
 - Sono presenti formazioni di rugiada sul pannello frontale.

3.2 Tabella delle anomalie e dei rimedi

Gli interventi devono essere eseguiti da un installatore qualificato o da un centro di assistenza specializzato.

Effetto	Causa	Rimedio
La ventilazione si attiva in ritardo rispetto alle nuove impostazioni di temperatura o di funzione.	La valvola di circuito richiede un certo tempo per la sua apertura e quindi per far circolare l'acqua calda o fredda nell'apparecchio.	Attendere 2 o 3 minuti per l'apertura della valvola del circuito.
L'apparecchio non attiva la ventilazione.	Manca acqua calda o fredda nell'impianto.	Verificare che la caldaia o il refrigeratore d'acqua siano in funzione.
La ventilazione non si attiva anche se nel circuito idraulico è presente acqua calda o fredda.	La valvola idraulica rimane chiusa	Smontare il corpo valvola e verificare se si ripristina la circolazione dell'acqua. Controllare lo stato di funzionamento della valvola alimentandola separatamente a 230 V. Se si dovesse attivare, il problema può essere nel controllo elettronico.
	Il motore di ventilazione è bloccato o bruciato.	Verificare gli avvolgimenti del motore e la libera rotazione della ventola.
	Il microinterruttore che ferma la ventilazione all'apertura della griglia filtro non si chiude correttamente.	Controllare che la chiusura della griglia determini l'attivazione del contatto del microinterruttore.
	I collegamenti elettrici non sono corretti.	Verificare i collegamenti elettrici.
L'apparecchio perde acqua in funzione riscaldamento.	Perdite nell'allacciamento idraulico dell'impianto.	Controllare la perdita e stringere a fondo i collegamenti.
	Perdite nel gruppo valvole.	Verificare lo stato delle guarnizioni.
Sono presenti formazioni di rugiada sul pannello frontale.	Isolanti termici staccati.	Controllare il corretto posizionamento degli isolanti termoacustici con particolare attenzione a quello anteriore sopra la batteria alettata.
Sono presenti alcune gocce d'acqua sulla griglia di uscita aria.	In situazioni di elevata umidità relativa ambientale (>60%) si possono verificare dei fenomeni di condensa, specialmente alle minime velocità di ventilazione.	Appena l'umidità relativa tende a scendere il fenomeno scompare. In ogni caso l'eventuale caduta di alcune gocce d'acqua all'interno dell'apparecchio non sono indice di malfunzionamento.
L'apparecchio perde acqua nella sola funzione di raffreddamento.	La bacinella condensa è ostruita.	Versare lentamente una bottiglia d'acqua nella parte bassa della batteria per verificare il drenaggio; nel caso pulire la bacinella e/o migliorare la pendenza del tubo di drenaggio.
	Lo scarico della condensa non ha la necessaria pendenza per il corretto drenaggio.	
	Le tubazioni di collegamento ed i gruppo valvole non sono ben isolati.	Controllare l'isolamento delle tubazioni.

Effetto	Causa	Rimedio
L'apparecchio emette un rumore eccessivo.	La ventola tocca la struttura.	Verificare lo sporco dei filtri ed eventualmente pulirli
	La ventola è sbilanciata.	Lo sbilanciamento determina eccessive vibrazioni della macchina: sostituire la ventola.
	Verificare lo sporco dei filtri ed eventualmente pulirli	Eseguire la pulizia dei filtri

3.3 Dati tecnici

FWXV	u.m.	10AATV3(R)	15AATV3(R)	20AATV3(R)
		10ABTV3(R)	15ABTV3(R)	20ABTV3(R)

PRESTAZIONI IN RAFFREDDAMENTO (W 7/12 °C; A 27 °C)

Potenza totale in raffreddamento	(1)	kW	1,62	2,64	2,99
Potenza sensibile in raffreddamento	(1)	kW	1,25	1,91	2,33
Potenza latente	(1)	kW	0,37	0,73	0,66
Portata acqua	(1)	L/h	365	483	568
Perdite di carico	(1)	kPa	11,0	23,0	22,0

PRESTAZIONI IN RISCALDAMENTO (W 45/40 °C; A 20 °C)

Potenza in riscaldamento	(2)	kW	1,96	2,86	3,50
Portata acqua	(2)	L/h	380	519	655
Perdite di carico	(2)	kPa	11,0	23,0	22,0

DATI IDRAULICI

Contenuto acqua batteria		L	0,80	1,13	1,46
Pressione massima di esercizio		bar	10	10	10
Attacchi idraulici		" EK	3/4		
Massima temperatura ingresso acqua		°C	80	80	80
Minima temperatura ingresso acqua		°C	4	4	4

DATI AERAILICI

Portata aria alla massima velocità	(3)	m³/h	294	438	567
Portata aria alla media velocità		m³/h	210	318	410
Portata aria alla minima velocità		m³/h	118	180	247
Pressione massima statica disponibile		Pa	10	13	13

DATI ELETTRICI

Tensione di alimentazione		V/ph/Hz	230-1-50		
Potenza assorbita alla massima velocità		W	19,0	25,0	31,0
Corrente massima assorbita		A	0,16	0,18	0,26
Potenza assorbita alla minima velocità		W	4,0	6,0	5,0

DATI SONORI

Potenza sonora massima		dB(A)	56	57	58
Pressione sonora alla max. portata aria	(4)	dB(A)	47	48	49
Pressione sonora alla media portata aria	(4)	dB(A)	38	39	40
Pressione sonora alla minima portata aria	(4)	dB(A)	31	33	34

Peso		kg	20	23	26
------	--	----	----	----	----

(1) Temperatura acqua 7/12°C, temperatura aria 27°C BS e 19°C BU secondo EN 1397

(2) Temperatura acqua 45/40°C, temperatura aria 20°C BS e 15°C BU secondo EN 1397

(3) Portata aria misurata con filtri puliti

(4) Pressione sonora misurata alla distanza di 1 metro secondo ISO7779

FWXM		u.m.	10AATV3(R)	15AATV3(R)	20AATV3(R)
PRESTAZIONI IN RAFFREDDAMENTO (W 7/12 °C; A 27 °C)					
Potenza totale in raffreddamento	(1)	kW	2,12	2,81	3,30
Potenza sensibile in raffreddamento	(1)	kW	1,72	2,11	2,71
Potenza latente	(1)	kW	0,40	0,70	0,59
Portata acqua	(1)	L/h	365	483	568
Perdite di carico	(1)	kPa	8,2	17,1	18,0
PRESTAZIONI IN RISCALDAMENTO (W 45/40 °C; A 20 °C)					
Potenza in riscaldamento	(2)	kW	2,21	3,02	3,81
Portata acqua	(2)	L/h	380	519	655
Perdite di carico	(2)	kPa	9,2	19,1	21,2
DATI IDRAULICI					
Contenuto acqua batteria		L	0,80	1,13	1,46
Pressione massima di esercizio		bar	10	10	10
Attacchi idraulici		" EK	3/4		
Massima temperatura ingresso acqua		°C	80	80	80
Minima temperatura ingresso acqua		°C	4	4	4
DATI AERAILICI					
Portata aria alla massima velocità	(3)	m³/h	294	438	567
Portata aria alla media velocità		m³/h	210	318	410
Portata aria alla minima velocità		m³/h	118	180	247
Pressione massima statica disponibile		Pa	10	13	13
DATI ELETTRICI					
Tensione di alimentazione		V/ph/Hz	230-1-50		
Potenza assorbita alla massima velocità		W	19,0	20,0	29,0
Corrente massima assorbita		A	0,16	0,18	0,26
Potenza assorbita alla minima velocità		W	4,0	6,0	5,0
DATI SONORI					
Potenza sonora massima		dB(A)	53	54	55
Pressione sonora alla max. portata aria	(4)	dB(A)	42	44	46
Pressione sonora alla media portata aria	(4)	dB(A)	34	34	35
Pressione sonora alla minima portata aria	(4)	dB(A)	25	26	26
DATI FISICI					
Peso		kg	12	15	18

(1) Temperatura acqua 7/12°C, temperatura aria 27°C BS e 19°C BU secondo EN 1397

(2) Temperatura acqua 45/40°C, temperatura aria 20°C BS e 15°C BU secondo EN 1397

(3) Portata aria misurata con filtri puliti

(4) Pressione sonora misurata alla distanza d 1 metro secondo ISO7779

DAIKIN EUROPE N.V.

Zandvoordestraat 300, B-8400 Oostende, Belgium

Copyright 2019 Daikin

cod. N420249A - 04



MANUAL DE INSTALACIÓN

Daikin Altherma Convector para bomba de calor

FWXV10ABTV3(R)
FWXV15ABTV3(R)
FWXV20ABTV3(R)
FWXV10AATV3(R)
FWXV15AATV3(R)
FWXV20AATV3(R)
FWXM10AATV3(R)
FWXM15AATV3(R)
FWXM20AATV3(R)

Nos gustaría darle las gracias por haber elegido uno de nuestros productos.

Estamos seguros de que estará satisfecho con su selección, puesto que representa lo último en tecnología de control climático doméstico.

Si sigue las sugerencias que aparecen en este manual, el producto que ha adquirido funcionará sin problemas y proporcionará temperaturas óptimas con el menor coste energético.

DAIKIN EUROPE N.V.

Conformidad

Esta unidad cumple con las directivas europeas:

- Directiva de "Baja Tensión" 2014/35/UE
- Directiva de "Compatibilidad Electromagnética" 2014/30/UE;.

Simbología

Los siguientes símbolos proporcionan la información necesaria para la correcta utilización de la máquina en

condiciones de seguridad

Pictogramas Editorial

U Usuario

- Hace referencia a las páginas que contienen instrucciones o información para el usuario.

I Instalador

- Hace referencia a las páginas que contienen instrucciones o información para el instalador

S Servicio

- Hace referencia a las páginas que contienen instrucciones o información para el SERVICIO TÉCNICO DE ATENCIÓN AL CLIENTE.

Pictogramas de seguridad

Peligro genérico

- Indica que si la operación descrita no se hace en cumplimiento de las normas de seguridad, hay riesgo de sufrir daños físicos.

Peligro por alta tensión

- Indica que si la operación descrita no se hace en cumplimiento de las normas de seguridad, hay riesgo de sufrir descargas eléctricas.

Peligro debido al calor

- Indica que si la operación descrita no se hace en cumplimiento de las normas de seguridad, hay riesgo de sufrir quemaduras.

Prohibición

- Hace referencia a las acciones que no se deben realizar de ninguna forma.

General

1.1	Advertencias generales	4
1.2	Normas fundamentales de seguridad	4
1.3	Gama de productos	5
1.4	Dimensiones generales	6

Instalación

2.1	Colocación de la unidad	7
2.2	Modos de instalación	7
2.3	Espacio mínimo de instalación	7
2.4	Acceso a los componentes internos	8
2.5	Extracción de los paneles laterales	9
2.6	Instalación vertical	9
2.7	Instalación en el techo u horizontal	10
2.8	Conexiones hidráulicas	10
2.9	Descarga de condensación	11
2.10	Llenado del sistema	12
2.11	Evacuación de aire durante el llenado del sistema	12
2.12	Conexiones eléctricas	13
2.13	Mantenimiento	13
2.14	Limpieza exterior	13
2.15	Limpieza del filtro de aspiración de aire	14
2.16	Consejos para el ahorro energético	15


Anomalías y soluciones


3.1	Anomalías y soluciones	16
3.2	Tabla de anomalías y soluciones	16
3.3	Datos técnicos	18


ES


GENERAL


1.1 Advertencias generales

 Una vez desembalado el producto, compruebe que no falte ningún componente. Si falta algún componente, póngase en contacto con el instalador de la filial de DAIKIN.

 La instalación de los aparatos DAIKIN debe ser realizada por un instalador autorizado que, una vez terminado el trabajo, debe proporcionar al cliente una declaración de conformidad, en cumplimiento de las normas vigentes y de las indicaciones suministradas por DAIKIN en el presente manual.

 Estos aparatos se han diseñado para el acondicionamiento y/o calentamiento de ambientes y están concebidos para este fin y en cumplimiento de sus características operativas. Queda excluida cualquier responsabilidad contractual o extracontractual de DAIKIN EUROPE N.V. por daños a personas, animales o cosas, causados por errores de instalación, configuración o mantenimiento, o por uso indebido.


 En caso de fugas de agua, coloque el interruptor general del sistema en posición "APAGADA" y cierre los grifos del agua. Llame inmediatamente al Servicio Técnico de DAIKIN o a personal profesionalmente cualificado y no intente reparar usted mismo el aparato.


 Los aparatos empotrables de la serie FWXM no están dotados de rejillas ni placa de cobertura. Instale protecciones de seguridad y rejillas de entrada/salida de aire para evitar entrar en contacto con el aparato de forma accidental.


 Si no se va a utilizar el aparato durante un período de tiempo prolongado, deben realizarse las siguientes


operaciones:

- Ponga el interruptor general del sistema en posición "APAGADA"
- Cierre los grifos de agua
- Se hay peligro de congelación, verifique que se haya añadido líquido anticongelante en el sistema; en caso contrario, vacíe el sistema.

 Una temperatura demasiado baja o demasiado alta es perjudicial para la salud y también representa un gasto inútil de energía. Evite el contacto directo con el flujo de aire por períodos prolongados.


 Evite que la habitación permanezca cerrada durante mucho tiempo. Abra las ventanas periódicamente para garantizar un correcto intercambio de aire.


 Este manual de instrucciones es parte integrante del aparato y, por lo tanto, debe ser conservado cuidadosamente y debe acompañar SIEMPRE al mismo, incluso en caso de cesión a otro propietario o usuario o traslado a una nueva instalación. En caso de deterioro o extravío, solicite otro ejemplar al Servicio Técnico de DAIKIN de la zona.

 Las operaciones de reparación y mantenimiento deben ser realizadas por el Servicio técnico o por personal cualificado, según lo previsto en el presente manual. No modifique ni altere el aparato, ya que se pueden crear situaciones de peligro y el fabricante del aparato no será responsable por los eventuales daños provocados.


 Preste la máxima atención para evitar quemaduras por contacto con componentes calientes


1.2 Normas fundamentales de seguridad


 Se recuerda que el uso de dispositivos que utilizan energía eléctrica y agua conlleva el cumplimiento de ciertas normas de seguridad, tales como:






 El aparato puede ser utilizado por niños de 8 años o más y por personas con capacidades físicas, sensoriales o mentales reducidas, o que carecen de experiencia o conocimientos necesarios, siempre que estén bajo vigilancia o después de haber recibido instrucciones relacionadas con el uso seguro del aparato y hayan comprendido los peligros que implica. Los niños no deben jugar con el aparato. La limpieza y el mantenimiento que debe realizar el usuario no deben ser realizados por niños sin supervisión.

 Está prohibido tocar el aparato estando descalzo o con partes del cuerpo mojadas o húmedas.

 Está prohibido realizar cualquier operación de limpieza sin desconectar previamente el aparato de la alimentación eléctrica (ponga el interruptor general de la instalación en posición "APAGADA").

 Está prohibido modificar los dispositivos de seguridad o de ajuste sin la autorización y las indicaciones del fabricante del aparato.

 Está prohibido tirar, desconectar o retorcer los cables eléctricos del aparato, incluso si éste está desconectado de la red de alimentación eléctrica.

-  Está prohibido introducir objetos o sustancias a través de las rejillas de entrada o salida de aire.
-  Está prohibido abrir las puertas de acceso a los componentes internos del aparato sin poner previamente el interruptor general de la instalación en posición "APAGADA".
-  Está prohibido arrojar o dejar al alcance de los niños el material de embalaje, ya que puede constituir una fuente de peligro.
-  Está prohibido subir con los pies sobre el aparato y/o apoyar sobre el mismo cualquier tipo de objeto.
-  Los componentes externos del aparato pueden alcanzar temperaturas superiores a 70°C.

1.3 Gama de productos

Existen 2 tipos de convectores de bomba de calor DAIKIN, FWXV y FWXM, que se ofrecen en 3 tamaños con distintos rendimientos y dimensiones.

Serie FWXV

Enfriador-convector con armario metálico.

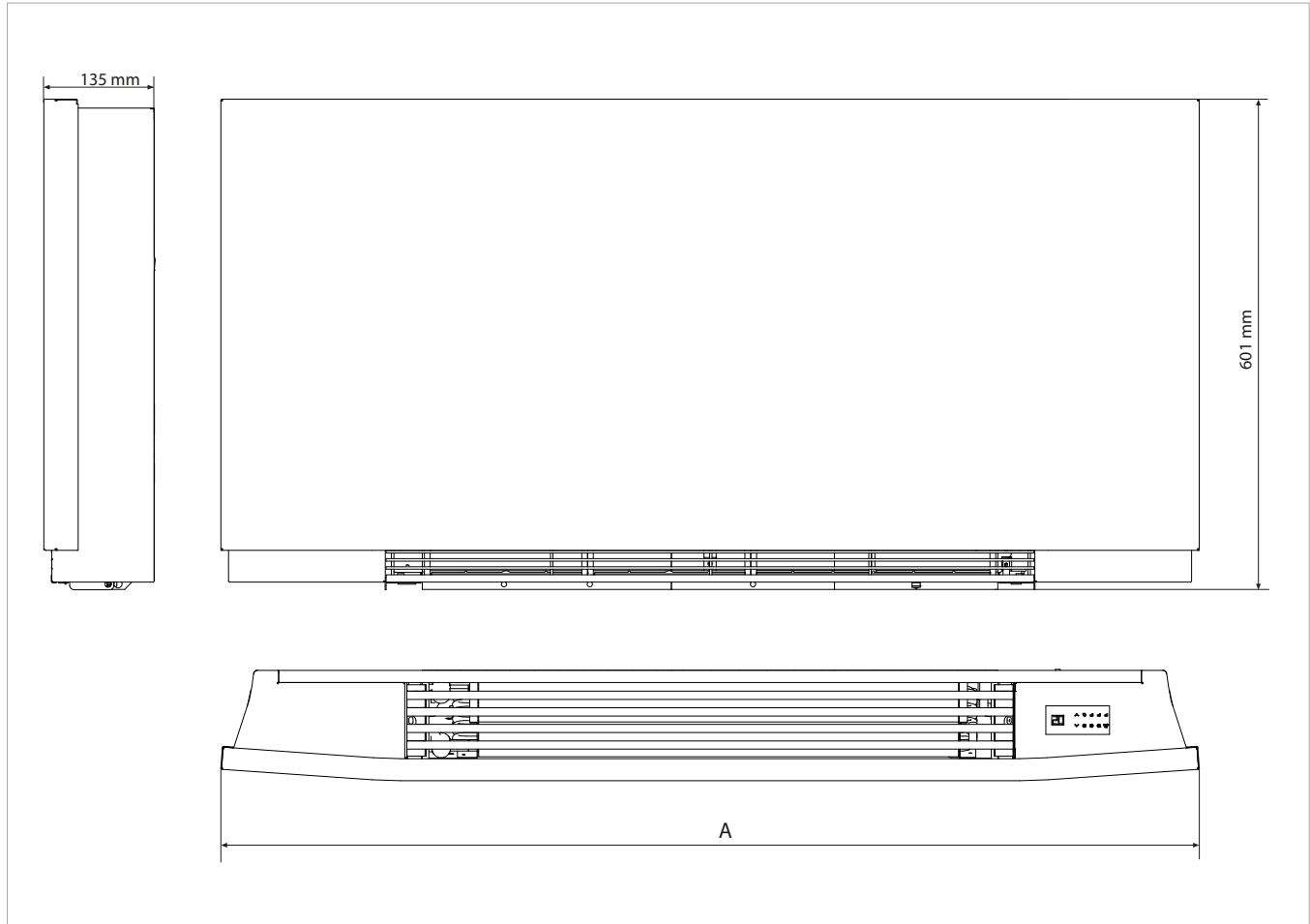
Serie FWXM

Enfriador-convector empotrado sin paneles.

1.4 Dimensiones generales

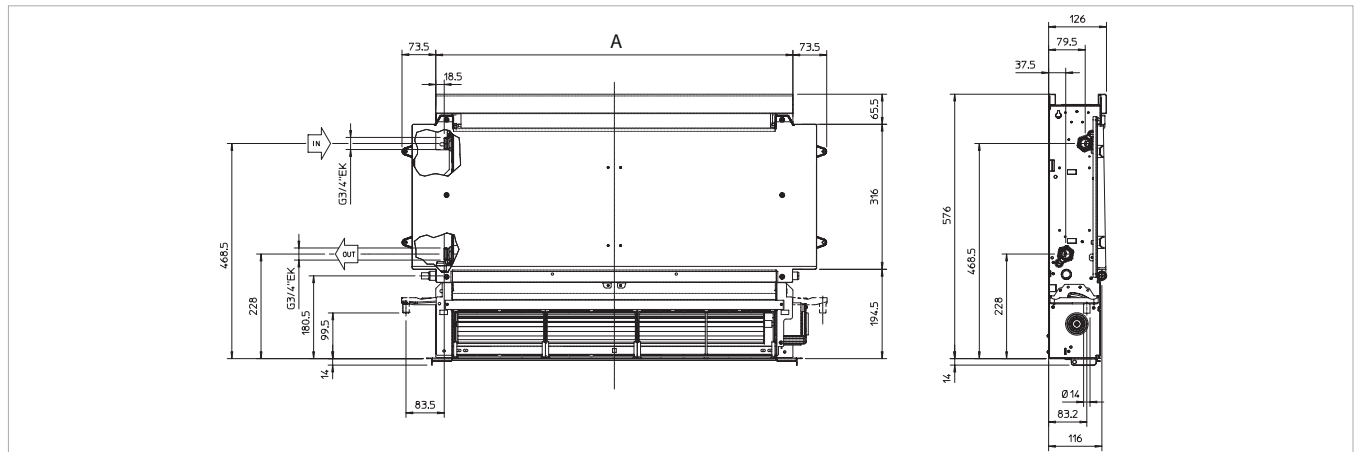
	U.M.	FWXV10AATV3(R)	FWXV15AATV3(R)	FWXV20AATV3(R)
		FWXV10ABTV3(R)	FWXV15ABTV3(R)	FWXV20ABTV3(R)
Dimensiones				
A	mm	999	1199	1399

FWXV



	U.M.	FWXM10AATV3(R)	FWXM15AATV3(R)	FWXM20AATV3(R)
Dimensiones				
A	mm	578	778	978

FWXM



INSTALACIÓN

2.1 Colocación de la unidad

- ⚠ Evite la instalación de la unidad en:
- lugares expuestos directamente a la luz solar;
 - lugares próximos a fuentes de calor;
 - ambientes húmedos y zonas con probable contacto con el agua;
 - ambientes con vapores de aceite
 - ambientes expuestos a ondas de radio de alta frecuencia.

- ⚠ Verifique:
- que la pared en la que desea instalar la unidad tenga

- una estructura y una capacidad adecuadas;
- que en la zona de la pared en concreto, no pasen tuberías ni líneas eléctricas;
- que la pared en concreto sea perfectamente plana;
- que la zona esté libre de obstáculos que puedan interferir en el flujo de aire de entrada y salida;
- que la pared de la instalación sea preferiblemente una pared con perímetro exterior, para permitir la descarga de la condensación hacia el exterior;
- en caso de instalación en el techo (versión FWXM), que el flujo de aire no esté orientado directamente hacia las personas.

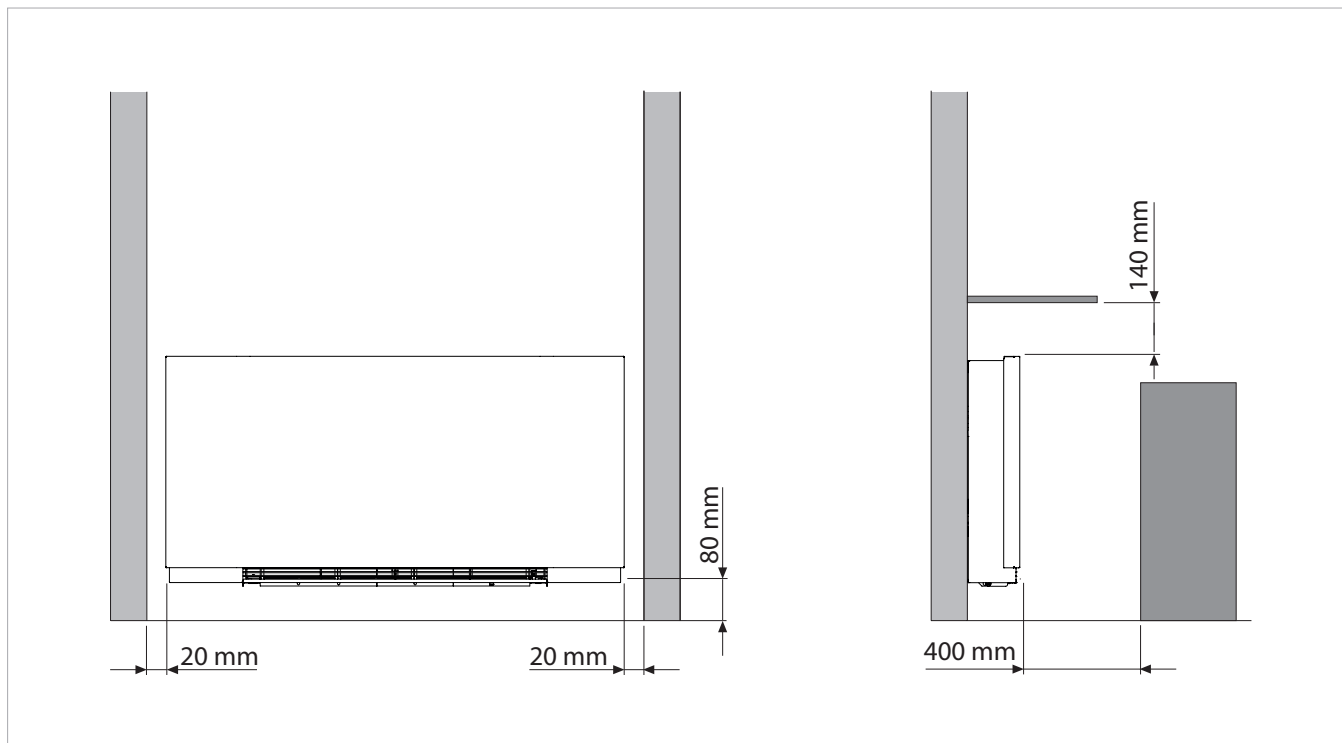
2.2 Modos de instalación

Las siguientes descripciones de las varias fases de montaje y los diseños relacionados hacen referencia a una versión de la máquina con las conexiones a la izquierda. La descripción de las operaciones de montaje de las máquinas con conexiones a la derecha (R) es la misma. Las imágenes solo deben considerarse como una referencia.

Para realizar una correcta instalación y obtener un rendimiento perfecto, siga atentamente lo indicado en el presente manual. El incumplimiento de las normas indicadas, además de causar un incorrecto funcionamiento de los aparatos, exonera a la empresa DAIKIN EUROPE N.V. de toda forma de garantía y de eventuales daños causados a personas, animales o cosas.

2.3 Espacio mínimo de instalación

En la ilustración se indican las distancias mínimas de montaje del enfriador-convector mural y muebles presentes en la habitación.



2.4 Acceso a los componentes internos

Para acceder al interior de la máquina, siga los procedimientos descritos a continuación.

Retire la rejilla superior:

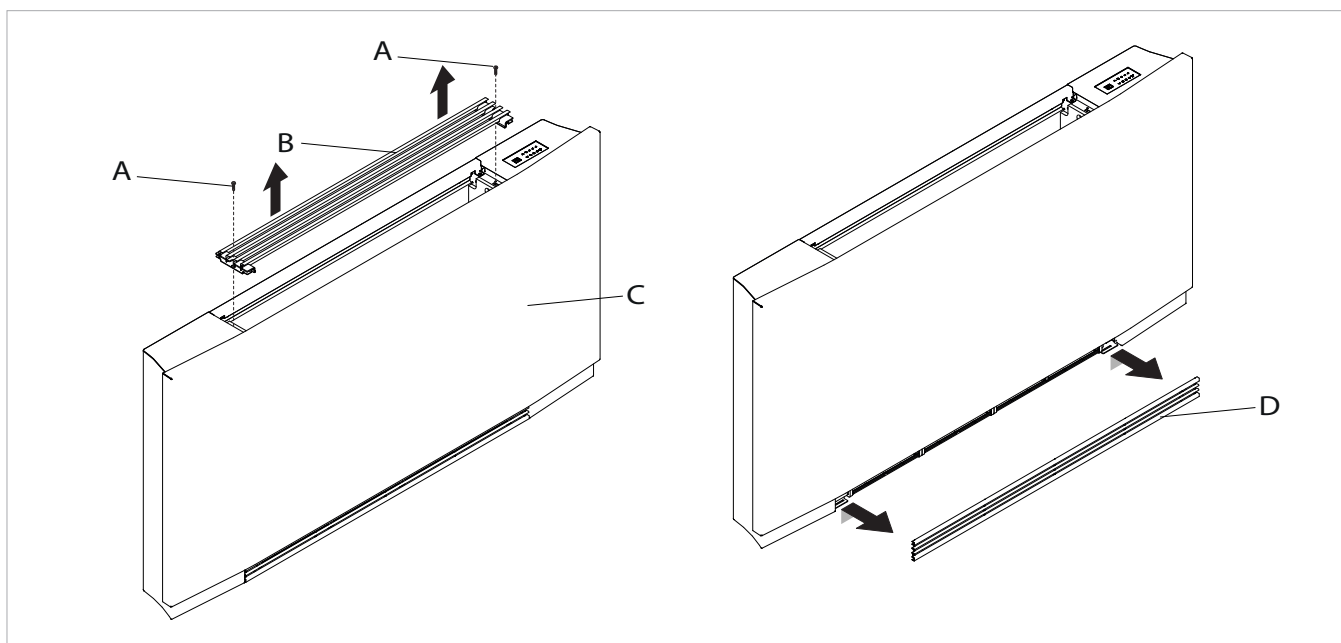
- afloje los tornillos de fijación de la rejilla superior
- retire la rejilla

Retire la rejilla frontal:

- extraiga la rejilla hasta que esté completamente fuera del asiento
- incline la rejilla
- deslícela hacia afuera

A	Tornillos de fijación
B	Rejilla superior

C	Panel frontal
D	Rejilla frontal

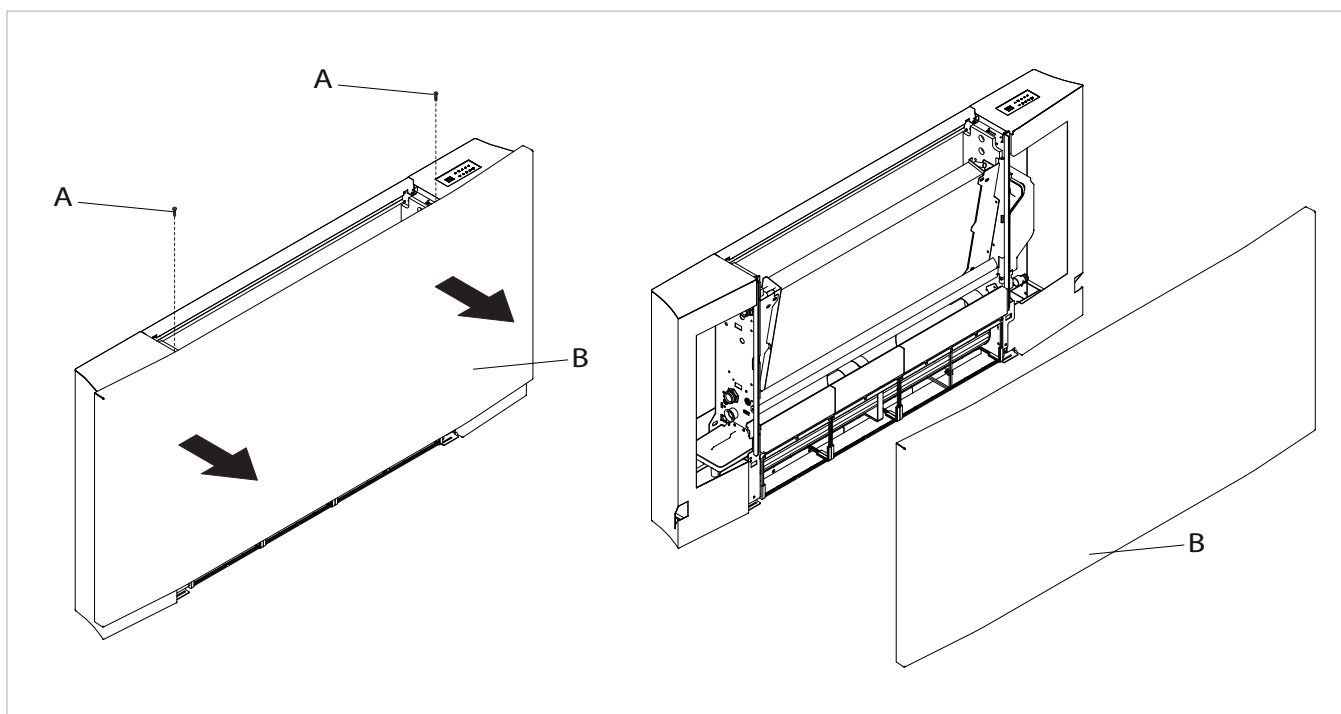


Retire el panel frontal:

- afloje los tornillos de fijación
- retire el panel

A	Tornillos de fijación
----------	-----------------------

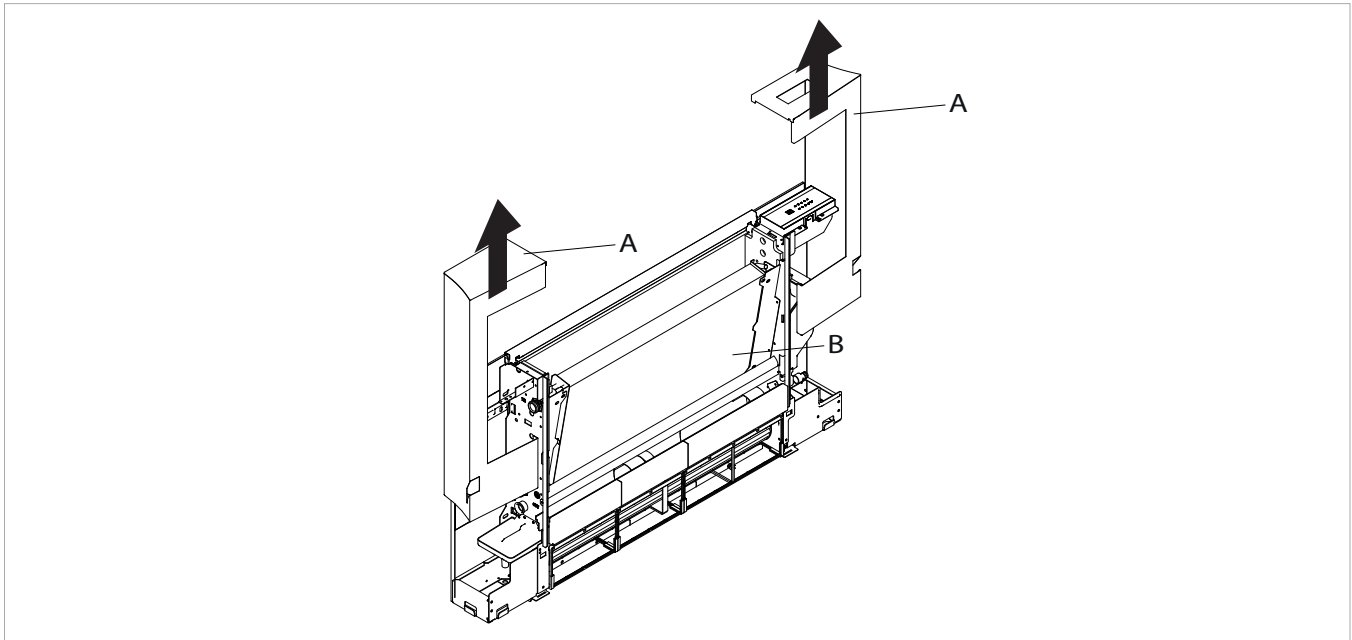
B	Panel frontal
----------	---------------



2.5 Extracción de los paneles laterales

Para retirar los paneles:
 - retire los paneles hacia arriba

A	Panel lateral
B	Cuerpo de la máquina



2.6 Instalación vertical

Utilizando una plantilla de papel, marque en la pared la posición de los dos soportes de fijación. Realice los orificios con una broca adecuada e introduzca los tacos (2 para cada soporte); fije los dos soportes. No apriete excesivamente los tornillos para poder ajustar los soportes con un nivel de burbuja.
 Instale la unidad a nivel (con una posible tolerancia de 1 ÷ 2% hacia la tubería de drenaje para facilitar el flujo de agua).

Apriete completamente los cuatro tornillos para fijar los dos soportes.
 Verifique la estabilidad desplazando manualmente los soportes a la derecha y a la izquierda y arriba y abajo.

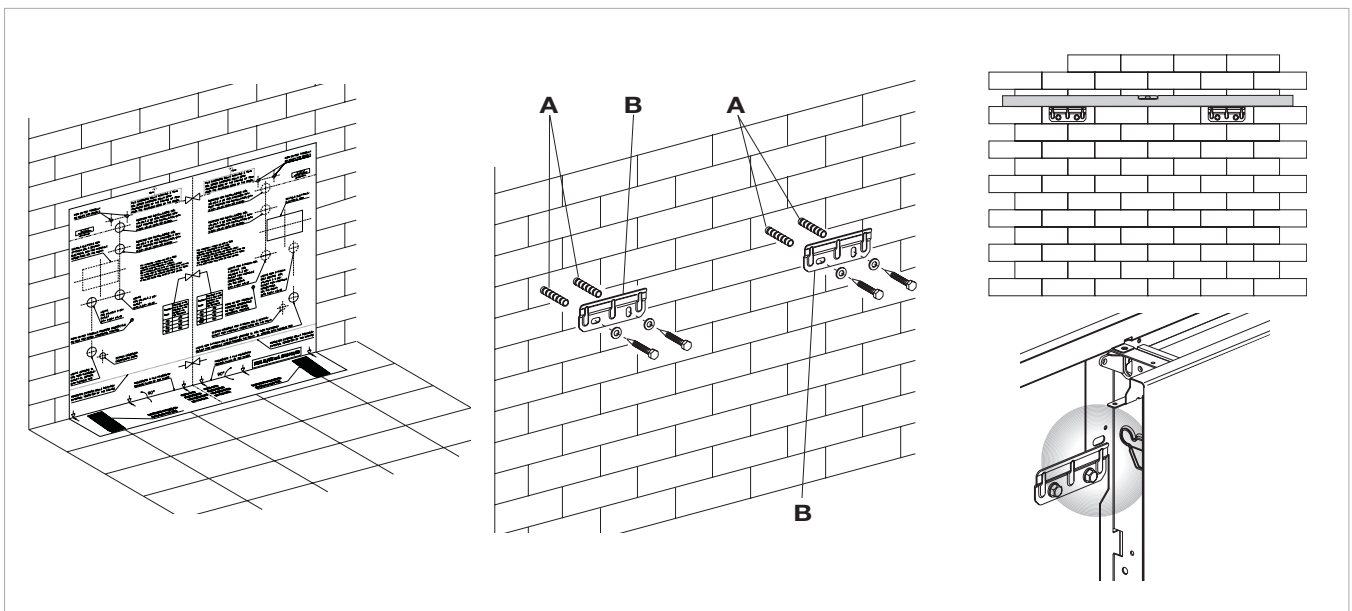
Coloque la unidad y compruebe que se enganche correctamente en los soportes y que sea estable.

Nota: para facilitar la conexión de las tuberías a las conexiones de la unidad fancoil, instale una caja integrada en la salida de las tuberías.
 La posición correcta de la caja se indica en la plantilla de instalación.

ES

A	Tacos
----------	-------


B	Soportes
----------	----------



2.7 Instalación en el techo u horizontal

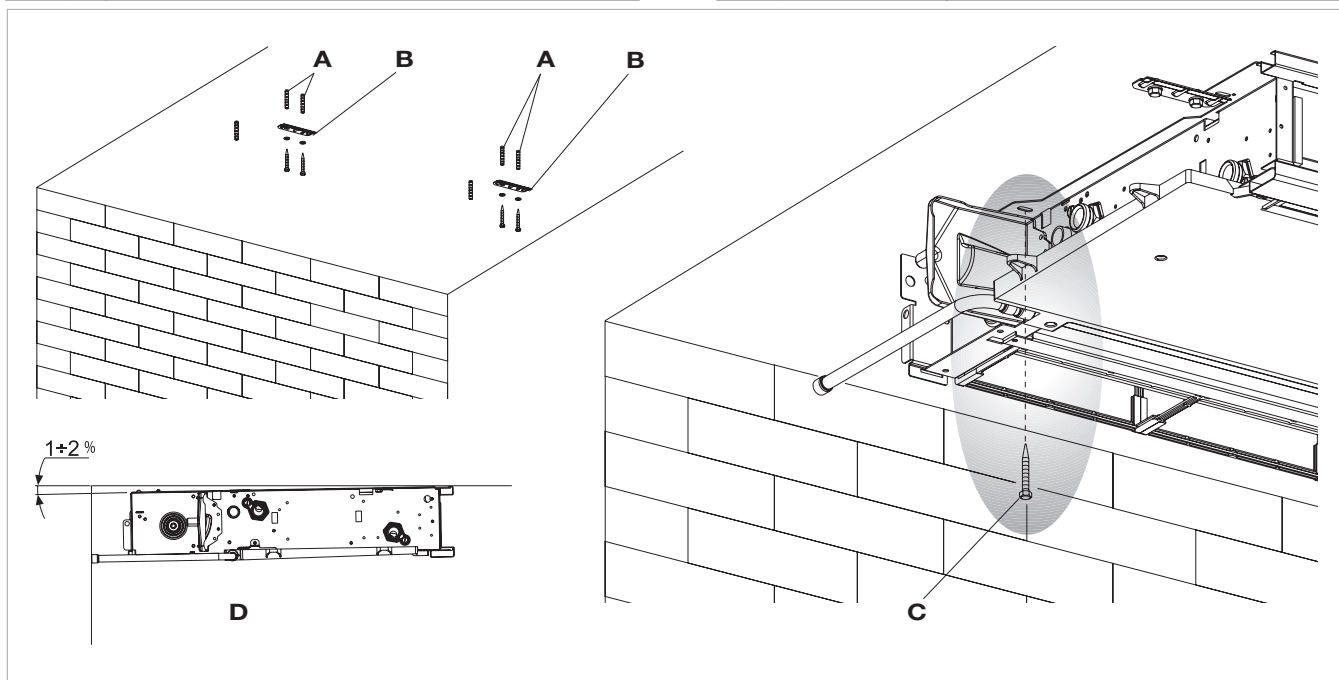
Utilizando una plantilla de papel, marque en el techo la posición de los dos soportes de fijación y de los dos tornillos posteriores. Mediante una broca adecuada, realice los orificios e introduzca los tacos (2 para cada soporte); fije los dos soportes. No apriete excesivamente los tornillos. Coloque la máquina en los dos soportes y manteniéndola en posición, fije los dos tornillos en los pernos de fijación posteriores, uno en cada lado. Instale la unidad a nivel (con una posible tolerancia de 1 ÷ 2% hacia la tubería de drenaje para facilitar el flujo de agua).

Para la instalación de la serie FWXV, están disponibles los kits adicionales para la bandeja de recogida de condensación horizontal EKM (10/15/20) COH.

 Compruebe cuidadosamente la inclinación del tubo de escape. Cualquier contrapendiente de la línea de descarga puede causar fugas de agua

A	Tacos
B	Soportes

C	Tornillos
D	Tubo de drenaje



2.8

FWXV/FWXM	U.M.	10AATV3(R)	15AATV3(R)	20AATV3(R)
FWXV	U.M.	10ABTV3(R)	15ABTV3(R)	20ABTV3(R)
Diámetro de las tuberías	mm	14	16	18


NOTA: el diámetro nominal, a menos que se indique lo contrario, siempre se refiere al diámetro interno.

Para evitar la formación de condensación en la superficie, siempre se recomienda instalar kits de válvulas eléctricas, excepto en el caso de que se proporcione un control eléctrico (por ejemplo, un cabezal electrotérmico) aguas arriba del aparato. La elección y el dimensionado de las líneas hidráulicas deberá realizarlos un experto, que debe trabajar en conformidad con las normas de buenas prácticas y con la legislación vigente, teniendo en cuenta que las tuberías de tamaño inferior pueden causar un mal funcionamiento.

Para realizar las conexiones:


- coloque las líneas hidráulicas
- apriete las conexiones utilizando el método "llave y contrallave"
- compruebe que no haya fugas de líquido

- recubra las conexiones con material aislante.

 Las líneas hidráulicas y las juntas deben estar aisladas térmicamente.

 Evite el aislamiento parcial de las tuberías.

 Evite apretar demasiado para no dañar el aislamiento.

 Para garantizar la estanqueidad hídrica de las conexiones roscadas utilice cáñamo y pasta verde; el uso de cinta de teflón está recomendado sólo si hay líquido anticongelante en el circuito hidráulico.

2.9 Descarga de condensación

La red de descarga de la condensación debe estar adecuadamente dimensionada y la tubería debe estar colocada de tal modo que se mantenga siempre una determinada inclinación en todo su recorrido (nunca inferior al 1%). En la instalación vertical, el tubo de descarga se conecta directamente a la bandeja de descarga, colocada en la parte inferior del pilar lateral, debajo de las conexiones hidráulicas. En la instalación horizontal, el tubo de descarga se conecta al tubo existente en la máquina.

- Si es posible, haga fluir el líquido de condensación directamente hacia un canalón o hacia un desagüe de "aguas pluviales".
- En caso de desagüe en la red de alcantarillado, se recomienda realizar un sifón que impida el retorno de malos olores hacia la habitación. La curva del sifón debe estar a un nivel inferior con respecto a la bandeja colectora de condensación.
- Si se debe descargar la condensación dentro de un recipiente, éste debe permanecer abierto a la atmósfera y el tubo no debe estar sumergido en

el agua para evitar fenómenos de adhesividad y contrapresiones que obstaculizarían el libre flujo.

- Si se debe superar un desnivel que podría obstaculizar el flujo de la condensación, es necesario instalar una bomba:
- en caso de instalación vertical, instale la bomba debajo de la bandeja de drenaje lateral;
- en caso de instalación horizontal, la posición de la bomba se debe decidir en función de las exigencias específicas.

Dichas bombas pueden adquirirse en comercios.

Al final de la instalación se recomienda verificar el correcto flujo del líquido de condensación, vertiendo agua muy lentamente en la bandeja colectora (aproximadamente ½ litro en 5-10 minutos).

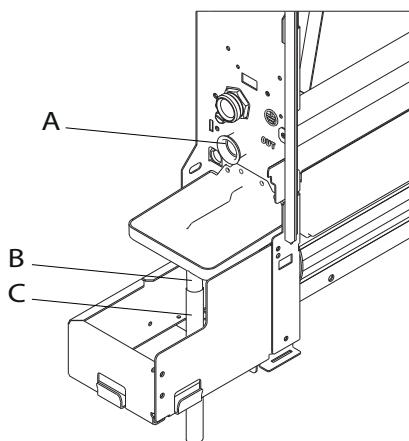
Montaje de la tubería de descarga de condensación en la versión vertical

Conecte a la junta de descarga de la bandeja colectora de condensación un tubo para el flujo del líquido bloqueándolo adecuadamente. Verifique que la extensión

para recogida de gotas esté presente y correctamente instalada.

A	Conexión de descarga
B	Tubo para el flujo de líquido: Ø14 mm

C	Extensión para goteo
----------	----------------------



Montaje de tubería de descarga de condensación en la versión horizontal

Para montar el recipiente horizontal en la serie FWXM, consulte las instrucciones de los kits EKM(10/15/20) COH.

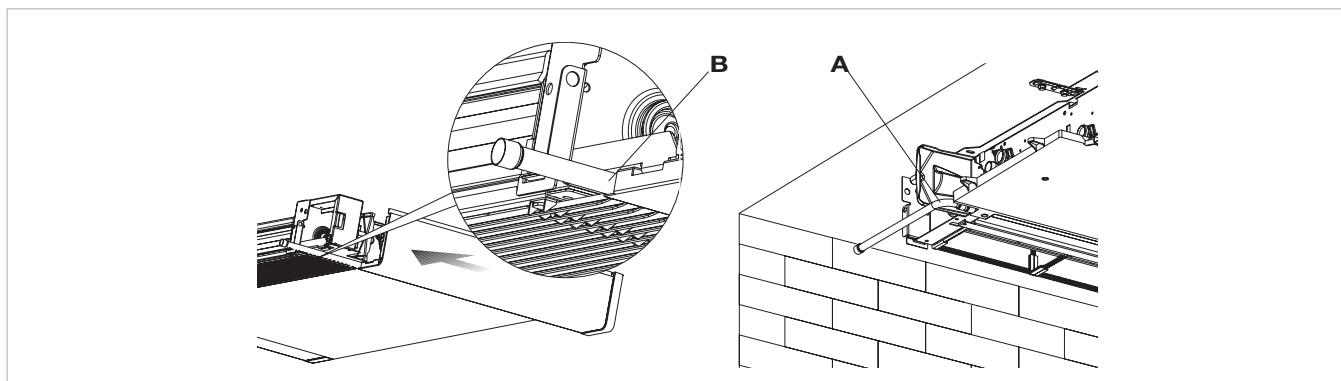
- compruebe que el tubo en "L" y la manguera de caucho flexible estén correctamente conectados a la cubeta.
- deslice el lateral de la máquina manteniendo el tubo contra la rejilla frontal.
- cierre completamente el lateral y compruebe que el tubo permanezca bloqueado en la ranura especial del lateral.

Para la instalación horizontal, respete las siguientes indicaciones:

- verifique que la máquina esté perfectamente nivelada o con una ligera inclinación hacia la descarga de la condensación;
- aísle bien los tubos de admisión y salida hasta la unión de la máquina, para impedir el goteo de condensación fuera de la cubeta colectora;
- aísle el tubo de descarga de condensación de la cubeta en toda su longitud.

A Tuberías de conexión: Ø14 mm

B Descarga



2.10 Llenado del sistema

Durante la puesta en marcha del sistema, verifique que el dispositivo de retención de la unidad hidráulica esté abierto. En caso de ausencia de alimentación eléctrica, si

la termoválvula ya ha sido alimentada, es necesario utilizar un capuchón especial para presionar el obturador de la válvula y abrirla.

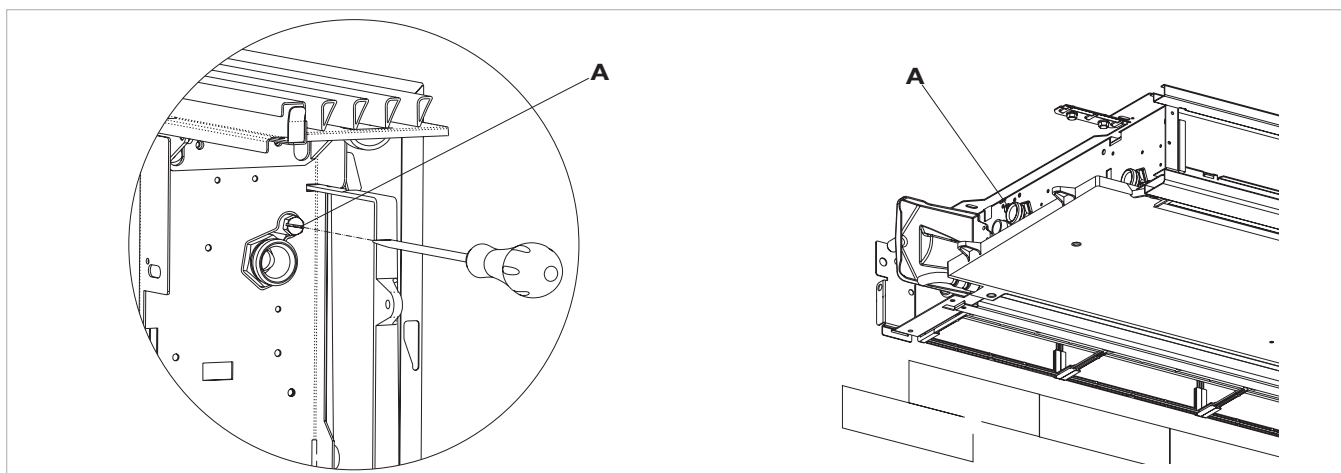
2.11 Evacuación de aire durante el llenado del sistema

- Abra todas las válvulas de cierre (manuales o automáticos);
- Inicie el llenado abriendo lentamente el grifo de llenado de agua del sistema;
- En los modelos instalados en posición vertical, abra con un destornillador el conducto de ventilación en posición más alta del intercambiador de calor.
- Cuando comience a salir agua a través de las válvulas del conducto de ventilación del aparato, ciérrelas y continúe la carga hasta alcanzar el valor nominal previsto para el sistema.

Verifique la estanqueidad hidráulica de las juntas.

Se recomienda repetir esta operación después de que el aparato haya funcionado durante algunas horas y controlar periódicamente la presión del sistema.

A Conducto de ventilación



2.12 Las conexiones eléctricas

Realice las conexiones eléctricas de acuerdo con los requisitos establecidos en los capítulos de advertencias generales y normas básicas de seguridad, consultando los esquemas presentes en los manuales de instalación de accesorios.

Antes de realizar cualquier trabajo, asegúrese de que la fuente de alimentación esté desconectado.


El dispositivo debe estar conectado a la red eléctrica a través de un interruptor bipolar con apertura de contacto mínima de, al menos, 3 mm o mediante un dispositivo que permita la desconexión completa del aparato en condiciones de sobretensión de categoría III.

2.13 Mantenimiento

El mantenimiento periódico es indispensable para mantener siempre el convector de bomba de calor en condiciones de eficiencia, seguridad y fiabilidad en los años venideros. Estas operaciones pueden ser realizadas con

periodicidad semestral o anual por el Servicio Técnico de Asistencia, que está técnicamente habilitado y preparado y dispone de los repuestos originales necesarios.

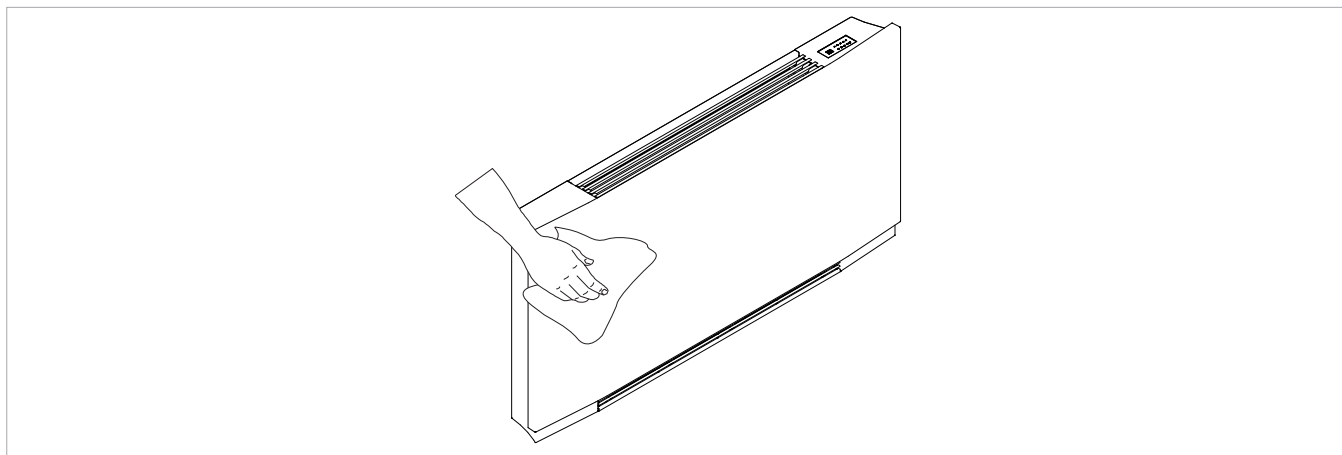
2.14 Limpieza exterior

 Antes de cada intervención de limpieza y mantenimiento, desconecte la unidad de la red eléctrica apagando el interruptor general de alimentación.

 No use esponjas abrasivas ni detergentes abrasivos o corrosivos para no dañar las superficies pintadas.

 Espere hasta que se enfríen los componentes para evitar el peligro de quemaduras.

Si es necesario, limpie las superficies exteriores del convector de bomba de calor con un paño suave y humedecido en agua.



2.15 Limpieza del filtro de aspiración de aire

Después de un período de funcionamiento continuo y teniendo en cuenta concentración de impurezas en el

aire, o cuando haya que reiniciar la unidad después de un período de inactividad, proceda tal como se ha descrito.

Extracción de celdas filtrantes

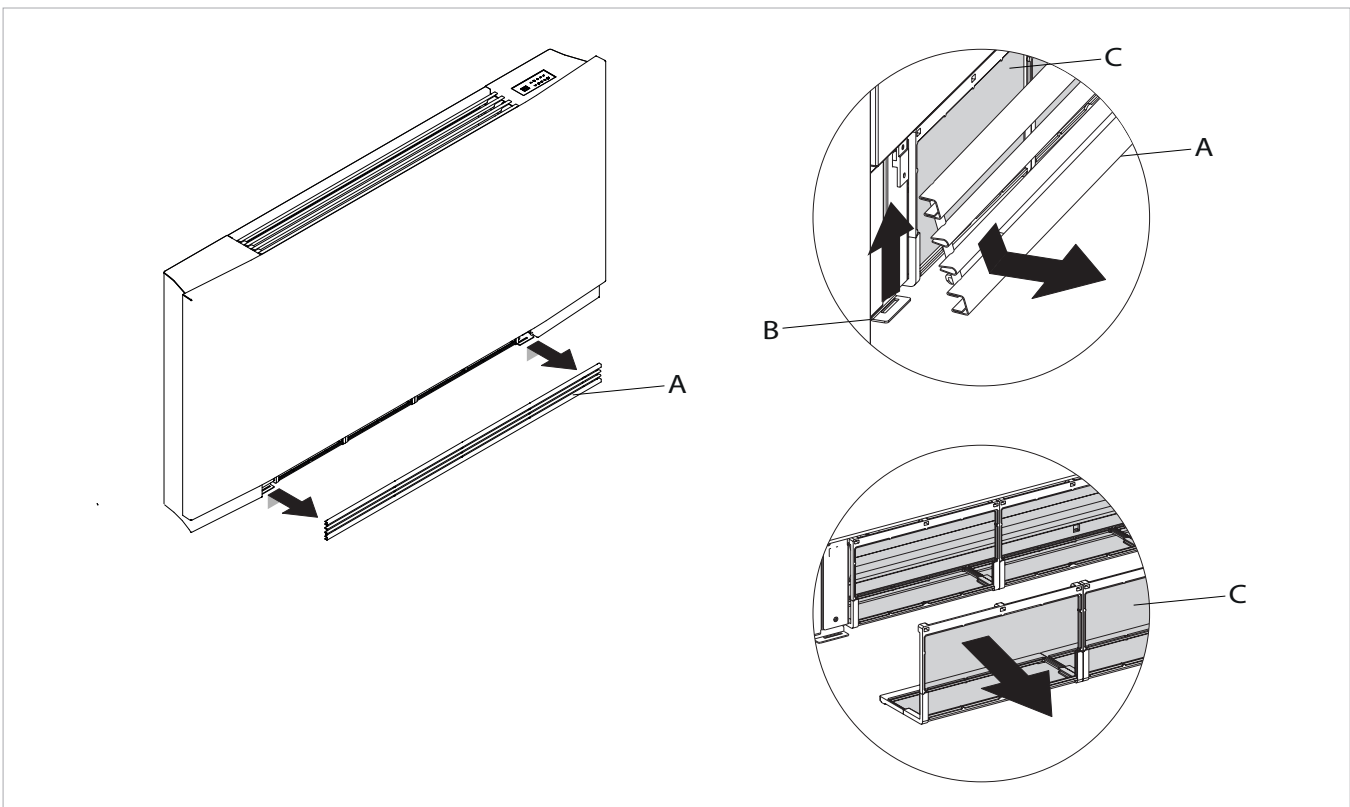
Para quitar la rejilla:

- levante la rejilla hasta que se suelte completamente del asiento

- incline la rejilla y deslícela hacia afuera
- luego retire el filtro tirando de él hacia afuera

A	Rejilla frontal
B	Gancho de la rejilla


C	Filtro
----------	--------



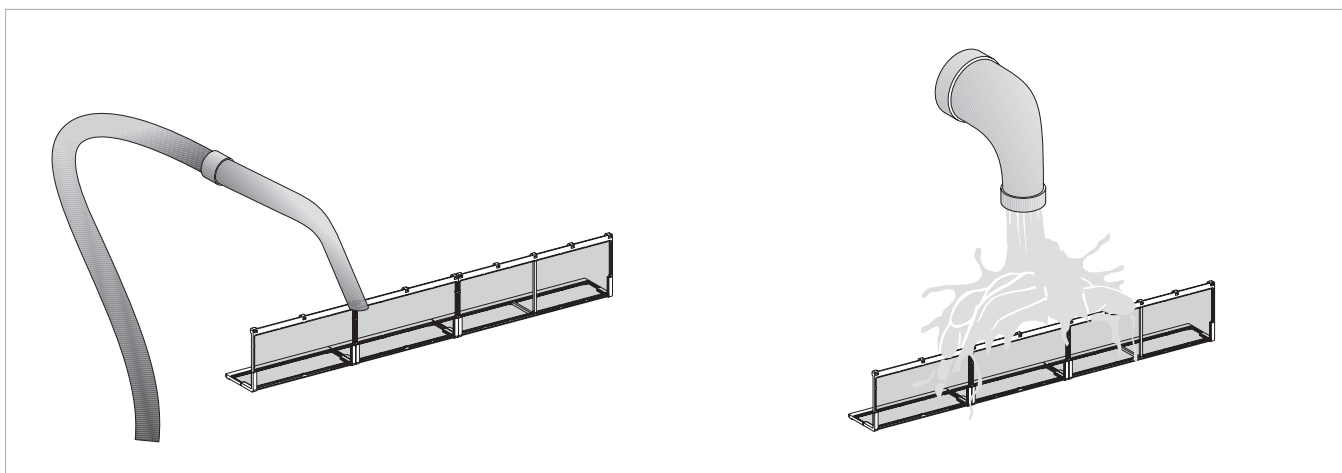
Limpieza de los asientos filtrantes

- aspire el polvo del filtro con un aspirador
- Sin utilizar detergentes ni disolventes, lave debajo de del agua corriente el filtro, y deje que se seque.

 Está prohibido el uso del aparato sin los filtros de mallas.

 El aparato está dotado de un interruptor de seguridad que impide el funcionamiento del ventilador con el panel móvil ausente o mal colocado.

 Después de las operaciones de limpieza del filtro, verifique el correcto montaje del panel.



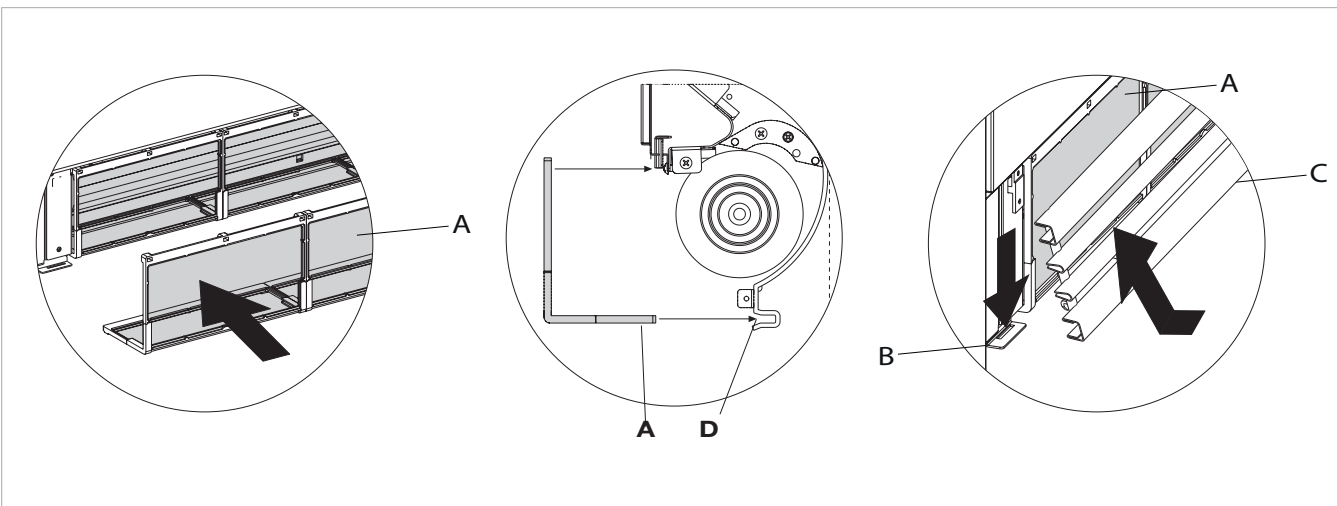
Finalización de las tareas de limpieza

- Para las versiones dotadas de rejilla con aletas, introduzca las dos lengüetas en las ranuras

correspondientes, haga girar la rejilla y engánchela con un ligero golpe en la parte superior.

A	Filtro
B	Gancho de la rejilla

C	Rejilla frontal
D	Alojamiento del filtro





2.16 Consejos para ahorrar energía

- Mantenga los filtros siempre limpios;
- En la medida de lo posible, mantenga cerradas las puertas y ventanas de las habitaciones a climatizar;
- En verano, limite lo más posible la luz directa del sol en las habitaciones a climatizar (utilice cortinas, persianas, etc.).

ANOMALÍAS Y SOLUCIONES

3.1 Anomalías y soluciones

-  En caso de fugas de agua o de funcionamiento anómalo, desconecte inmediatamente la alimentación eléctrica y cierre los grifos de agua.
-  Si ocurre alguna de las siguientes anomalías, contacte con un centro de asistencia autorizado o con personal autorizado cualificado. No intervenga personalmente.
- La ventilación no se activa incluso si hay agua caliente o fría en el circuito hidráulico.
 - El aparato pierde agua durante la función de calefacción.
 - El aparato pierde agua sólo durante la función de refrigeración.
 - El aparato emite un ruido excesivo.
 - Presencia de rocío en el panel frontal.

3.2 Tabla de anomalías y soluciones

Las intervenciones deben ser realizadas por un instalador cualificado o por un centro de asistencia especializado.

Efecto	Causa	Solución
La ventilación se activa con retraso con respecto a los nuevos ajustes de temperatura o de funcionamiento.	La válvula del circuito requiere cierto tiempo para su apertura y, por lo tanto, para hacer circular el agua caliente o fría en el aparato.	Espere 2 o 3 minutos hasta que se abra la válvula del circuito.
El aparato no activa la ventilación.	Falta agua caliente o fría en el sistema.	Compruebe que la caldera de agua o el enfriador funcionen correctamente.
La ventilación no se activa incluso si en el circuito hidráulico hay agua caliente o fría.	La válvula hidráulica permanece cerrada.	Desmonte el cuerpo de la válvula y verifique si se restablece la circulación de agua. Controle el estado de funcionamiento de la válvula, alimentándola separadamente con 230 V. Si se activa, el problema puede estar en el control electrónico.
	El motor de ventilación está bloqueado o quemado.	Verifique el bobinado del motor y la libre rotación del ventilador.
	El microinterruptor que interrumpe la ventilación al abrir la rejilla del filtro no se cierra correctamente.	Compruebe que el cierre de la rejilla determine la activación del contacto del microinterruptor.
	Las conexiones eléctricas no son correctas.	Compruebe las conexiones eléctricas.
El aparato pierde agua durante la función de calefacción.	Fugas en las conexiones hidráulicas del sistema.	Compruebe si hay fugas y apriete a fondo las conexiones.
	Fugas en la válvula.	Compruebe el estado de las juntas.
Presencia de rocío en el panel frontal.	Aislante térmico despegado.	Compruebe la correcta posición de los aislantes termoacústicos, prestando especial atención al aislante delantero, por encima del intercambiador de calor de aletas.
Hay algunas gotas de agua en la rejilla de salida de aire.	En situaciones de elevada humedad relativa ambiente (>60%), se puede formar condensación, especialmente a las mínimas velocidades de ventilación.	Tan pronto como la humedad relativa descienda, el fenómeno desaparece. La eventual caída de algunas gotas de agua dentro del aparato no es señal de fallo de funcionamiento.

Efecto	Causa	Solución
El aparato pierde agua sólo durante la función de enfriamiento.	La cubeta de condensación está obstruida.	Vierta lentamente una botella de agua en la parte baja de la batería para verificar el drenaje; si es necesario, limpie la cubeta y/o aumente la inclinación del tubo de drenaje.
	La descarga de la condensación no tiene la inclinación necesaria para el correcto drenaje.	
	Las tuberías de conexión y la válvula no están bien aisladas.	Compruebe el aislamiento de las tuberías.
El aparato emite un ruido extraño.	El ventilador entra en contacto con la estructura.	Compruebe si los filtros están obstruidos y límpielos si es necesario
	El ventilador está desequilibrado.	El desequilibrio provoca vibraciones excesivas en la máquina: sustituya el ventilador.
	Compruebe si los filtros están obstruidos y límpielos si es necesario	Limpie los filtros

3.3 Datos técnicos

FWXV	u.m.	10AATV3(R)	15AATV3(R)	20AATV3(R)
		10ABTV3(R)	15ABTV3(R)	20ABTV3(R)

RENDIMIENTO DE REFRIGERACIÓN (W 7/12 °C; A 27 °C)

Capacidad total de refrigeración	(1)	kW	1,62	2,64	2,99
Capacidad de refrigeración sensible	(1)	kW	1,25	1,91	2,33
Capacidad de refrigeración latente	(1)	kW	0,37	0,73	0,66
Flujo de agua	(1)	L/h	365	483	568
Caída de presión	(1)	kPa	11,0	23,0	22,0

RENDIMIENTO TÉRMICO (W 45/40 °C; A 20 °C)

Capacidad de calentamiento	(2)	kW	1,96	2,86	3,50
Flujo de agua	(2)	L/h	380	519	655
Caída de presión	(2)	kPa	11,0	23,0	22,0

DATOS HIDRÁULICOS

Contenido de agua de la batería		L	0,80	1,13	1,46
Presión máxima de funcionamiento		bar	10	10	10
Conexiones hidráulicas		" EK	3/4		
Temperatura máxima del agua de entrada		°C	80	80	80
Temperatura mínima del agua de entrada		°C	4	4	4

DATOS AERÁULICOS

Caudal de aire a la máxima velocidad del ventilador	(3)	m³/h	294	438	567
Caudal de aire a velocidad media del ventilador		m³/h	210	318	410
Caudal de aire a la velocidad mínima del ventilador		m³/h	118	180	247
Presión estática disponible		Pa	10	13	13

DATOS ELÉCTRICOS

Alimentación		V/ph/Hz	230-1-50		
Absorción eléctrica a la máxima velocidad del ventilador		W	19,0	25,0	31,0
Corriente máxima absorbida		A	0,16	0,18	0,26
Absorción eléctrica a la velocidad mínima del ventilador		W	4,0	6,0	5,0

DATOS SONOROS

Nivel máximo de potencia sonora		dB(A)	56	57	58
Nivel de presión sonora al máximo flujo de aire	(4)	dB(A)	47	48	49
Nivel de presión sonora con un flujo de aire medio	(4)	dB(A)	38	39	40
Nivel de presión sonora con un flujo de aire mínimo	(4)	dB(A)	31	33	34

Peso		kg	20	23	26
------	--	----	----	----	----

(1) Temperatura del agua 7/12°C, Temperatura del aire 27°C BS y 19°C BU, EN 1397

(2) Temperatura del agua 45/40°C, Temperatura del aire 20°C BS y 15°C BU, EN 1397

(3) Flujo de aire medido con filtros limpios

(4) Presión sonora medida a 1 metro de distancia según ISO7779

FWXM		u.m.	10AATV3(R)	15AATV3(R)	20AATV3(R)
RENDIMIENTO DE REFRIGERACIÓN (W 7/12 °C; A 27 °C)					
Capacidad total de refrigeración	(1)	kW	2,12	2,81	3,30
Capacidad de refrigeración sensible	(1)	kW	1,72	2,11	2,71
Capacidad de refrigeración latente	(1)	kW	0,40	0,70	0,59
Flujo de agua	(1)	L/h	365	483	568
Caída de presión	(1)	kPa	8,2	17,1	18,0
RENDIMIENTO TÉRMICO (W 45/40 °C; A 20 °C)					
Capacidad de calentamiento	(2)	kW	2,21	3,02	3,81
Flujo de agua	(2)	L/h	380	519	655
Caída de presión	(2)	kPa	9,2	19,1	21,2
DATOS HIDRÁULICOS					
Contenido de agua de la batería		L	0,80	1,13	1,46
Presión máxima de funcionamiento		bar	10	10	10
Conexiones hidráulicas		" EK	3/4		
Temperatura máxima del agua de entrada		°C	80	80	80
Temperatura mínima del agua de entrada		°C	4	4	4
DATOS AERÁULICOS					
Caudal de aire a la máxima velocidad del ventilador	(3)	m³/h	294	438	567
Caudal de aire a velocidad media del ventilador		m³/h	210	318	410
Caudal de aire a la velocidad mínima del ventilador		m³/h	118	180	247
Presión estática disponible		Pa	10	13	13
DATOS ELÉCTRICOS					
Alimentación		V/ph/Hz	230-1-50		
Absorción eléctrica a la máxima velocidad del ventilador		W	19,0	20,0	29,0
Corriente máxima absorbida		A	0,16	0,18	0,26
Absorción eléctrica a la velocidad mínima del ventilador		W	4,0	6,0	5,0
DATOS SONOROS					
Nivel máximo de potencia sonora		dB(A)	53	54	55
Nivel de presión sonora al máximo flujo de aire	(4)	dB(A)	42	44	46
Nivel de presión sonora con un flujo de aire medio	(4)	dB(A)	34	34	35
Nivel de presión sonora con un flujo de aire mínimo	(4)	dB(A)	25	26	26
DATOS FÍSICOS					
Peso		kg	12	15	18

(1) Temperatura del agua 7/12°C, Temperatura del aire 27°C BS y 19°C BU, EN 1397

(2) Temperatura del agua 45/40°C, Temperatura del aire 20°C BS y 15°C BU, EN 1397

(3) Flujo de aire medido con filtros limpios

(4) Presión sonora medida a 1 metro de distancia según ISO7779

DAIKIN EUROPE N.V.

Zandvoordestraat 300, B-8400 Oostende, Belgium

Copyright 2019 Daikin

cod. N420249A - 04



INSTALLATIONSANLEITUNG

Daikin Altherma Wärmepumpen-Konvektor

FWXV10ABTV3(R)
FWXV15ABTV3(R)
FWXV20ABTV3(R)
FWXV10AATV3(R)
FWXV15AATV3(R)
FWXV20AATV3(R)
FWXM10AATV3(R)
FWXM15AATV3(R)
FWXM20AATV3(R)

Vielen Dank, dass Sie sich für eines unserer Produkte entschieden haben.

Wir sind zuversichtlich, dass Sie mit Ihrer Wahl zufrieden sein werden, da das Produkt der modernen Technologie im Bereich Heimklimaanlagen.

Wenn Sie den in dieser Anleitung aufgeführten Vorschlägen folgen, läuft das von Ihnen erworbene Produkte ohne Probleme und liefert Ihnen bei minimalen Energiekosten eine optimale Raumtemperatur.

DAIKIN EUROPE N.V.

Konformität

Dieses Gerät entspricht den europäischen Richtlinien:

- Niederspannungsrichtlinie 2014/35/UE
- Richtlinie zur elektromagnetischen Verträglichkeit 2014/30/UE.

Symbole

Die folgenden Symbole bieten schnell und unmissverständlich die notwendigen Informationen für die

richtige und sichere Verwendung des Geräts.

Piktogramme in Bezug auf den Inhalt

U User (Benutzer)

- Dieses Symbol verweist auf Seiten, die Anweisungen oder Informationen für den Benutzer enthalten.

I Installer (Monteur)

- Dieses Symbol verweist auf Seiten, die Anweisungen oder Informationen für den Monteur enthalten.

S Service (Wartung)

- Dieses Symbol verweist auf Seiten, die Anweisungen oder Informationen für den Monteur des TECHNISCHEN KUNDENDIENSTES enthalten.

Sicherheitspiktogramme

⚠ Allgemeine Gefahr

- Dieses Symbol verweist darauf, dass der beschriebene Vorgang physische Verletzungen verursachen kann, wenn er nicht in Übereinstimmung mit den Sicherheitsvorschriften ausgeführt wird.

⚠ Gefahr durch Hochspannung

- Dieses Symbol verweist darauf, dass der beschriebene Vorgang zum Tod durch Stromschlag führen kann, wenn er nicht in Übereinstimmung mit den Sicherheitsvorschriften ausgeführt wird.

⚠ Gefahr durch starke Hitze

- Dieses Symbol verweist darauf, dass der beschriebene Vorgang Verbrennungen verursachen kann, wenn er nicht in Übereinstimmung mit den Sicherheitsvorschriften ausgeführt wird.

⊘ Verbot

- Dieses Symbol verweist auf Aktionen, die Sie unbedingt unterlassen müssen.

Allgemein

1.1	Allgemeine Warnungen	4
1.2	Grundlegende Sicherheitsregeln	4
1.3	Produktpalette	5
1.4	Gesamtabmessungen	6

Installation

2.1	Positionierung der Einheit	7
2.2	Installationsmodi	7
2.3	Mindestinstallationsabstände	7
2.4	Zugang zu den internen Komponenten	8
2.5	Entfernen der Seitenteile	9
2.6	Vertikale Installation	9
2.7	Horizontale oder Deckeninstallation	10
2.8	Hydraulikanschlüsse	10
2.9	Kondenswasserabfluss	11
2.10	Füllen der Anlage	12
2.11	Ausleiten der Luft beim Füllen der Anlage	12
2.12	Elektrische Anschlüsse	13
2.13	Wartung	13
2.14	Reinigung des Geräteäußeren	13
2.15	Reinigung des Luftansaugfilters	14
2.16	Energiesparhinweise	15

Problembehebung

3.1	Problembehebung	16
3.2	Tabelle der Störungen und Abhilfemaßnahmen	16
3.3	Technische Daten	18

ALLGEMEIN

1.1 Allgemeine Warnhinweise

- ⚠ Stellen Sie nach Entfernung der Verpackung die Unversehrtheit und Vollständigkeit des Inhalts sicher. Wenden Sie sich bei Unstimmigkeiten an Ihre DAIKIN-Niederlassung.
- ⚠ Die Installation der DAIKIN-Geräte ist durch eine Fachfirma auszuführen, die dem Kunden bei Abschluss der Arbeiten eine Konformitätserklärung in Bezug auf die geltenden Gesetze und die von DAIKIN in dem im Lieferumfang des Geräts enthaltenen Anleitung vorgegebenen Anweisungen übergibt.
- ⚠ Diese Geräte wurden zur Klimatisierung und/oder Heizung von Räumen hergestellt und sind ausschließlich für mit ihren Leistungsdaten verträgliche Zwecke einzusetzen.
Jegliche vertragliche oder außervertragliche Haftung seitens DAIKIN EUROPE N.V. für Schäden an Personen, Tieren oder Gegenständen aufgrund fehlerhafter Installation, Einstellung, Wartung oder unsachgemäßen Gebrauchs ist ausgeschlossen.
- ⚠ Stellen Sie beim Austreten von Wasser den Hauptschalter der Anlage auf „Aus“ und schließen Sie die Wasserhähne.
Rufen Sie unverzüglich den technischen Kundendienst von DAIKIN oder entsprechendes Fachpersonal und greifen Sie nicht selbst am Gerät ein.
- ⚠ Die Geräte der integrierten Serie FWXM haben kein Gitter und keine Abdeckplatte. Sehen Sie Schutzelemente und Gitter für den Lufteinlass/-auslass vor, die unbeabsichtigte Berührungen des Geräts verhindern.
- ⚠ Bei Nichtbenutzung des Geräts für einen langen Zeitraum sind folgende Schritte durchzuführen:
 - Stellen Sie den Hauptschalter der Anlage auf „Aus“.
 - Schließen Sie die Wasserhähne.
 - Bei Frostgefahr vergewissern Sie sich, dass Frostschutzmittel in die Anlage gegeben wurde. Andernfalls entleeren Sie die Anlage.
- ⚠ Wenn die Raumtemperatur zu niedrig oder zu hoch ist, ist dies gesundheitsschädlich und eine unnötige Verschwendung von Energie.
Vermeiden Sie den direkten Kontakt mit dem Luftstrom für einen längeren Zeitraum.
- ⚠ Vermeiden Sie, dass der Raum für einen längeren Zeitraum geschlossen bleibt. Öffnen Sie regelmäßig die Fenster, um einen korrekten Luftaustausch zu gewährleisten.
- ⚠ Diese Bedienungsanleitung ist ein wichtiger Bestandteil des Geräts und entsprechend sorgfältig aufzubewahren. Sie hat das Gerät STETS zu begleiten, auch bei Übergabe an einen anderen Besitzer oder Anwender oder bei Übertragung auf eine andere Anlage. Fordern Sie bei Beschädigung oder Verlust ein anderes Exemplar beim lokalen technischen Kundendienst von DAIKIN an.
- ⚠ Alle Reparatur- oder Wartungseingriffe sind vom technischen Kundendienst oder durch Fachpersonal den Vorschriften in diesem Handbuch gemäß auszuführen. Ändern oder öffnen Sie das Gerät nicht, da es dabei zu Gefährdungssituationen kommen könnte und der Hersteller des Gerätes nicht für eventuell herbeigeführte Schäden haftbar ist.
- ⚠ Es besteht die Gefahr von Verbrennungen, gehen Sie beim Berühren mit äußerster Vorsicht vor.

1.2 Grundlegende Sicherheitsregeln

- ⊖ Bitte beachten Sie, dass bei der Verwendung von Produkten, die elektrische Energie und Wasser nutzen, die Einhaltung einiger grundlegender Regeln erforderlich ist, darunter:
 - ⊖ Das Gerät kann von Kindern unter 8 Jahren und von Personen mit eingeschränkter körperlicher, sensorischer oder geistiger Leistungsfähigkeit oder mangelnder Erfahrung oder dem erforderlichen Wissen verwendet werden, sofern sie überwacht werden oder nachdem sie Anweisungen zur sicheren Verwendung des Geräts erhalten haben und die damit verbundenen Gefahren verstehen.
Kinder dürfen nicht mit dem Gerät spielen.
Die vom Benutzer durchzuführenden Reinigungs- und Wartungsarbeiten dürfen nicht von Kindern ohne Beaufsichtigung durchgeführt werden.
 - ⊖ Die Berührung des Gerätes mit nassen Händen oder Körperteilen ist verboten, wenn Sie barfuß sind.
 - ⊖ Jegliche Reinigung vor dem Trennen des Gerätes von der Stromversorgung durch Ausschalten des Hauptschalters der Anlage ist verboten.
 - ⊖ Es ist verboten, die Sicherheits- oder Regeleinrichtungen ohne Genehmigung und Anweisungen des Herstellers des Gerätes zu ändern.
 - ⊖ Es ist verboten, die aus dem Gerät tretenden Elektrokabel zu ziehen, zu lösen oder zu verdrehen, auch wenn das Gerät von der Stromversorgung

getrennt ist.

- ⊖ Es ist verboten, Gegenstände oder Substanzen durch die Ein- oder Auslassgitter zu führen.
- ⊖ Die Öffnung der Zugangsklappen zu den internen Teilen des Gerätes ist ohne vorheriges Ausschalten des Hauptschalters der Anlage verboten.
- ⊖ Es ist verboten, das Verpackungsmaterial so zu entsorgen oder zu hinterlassen, dass es für Kinder zugänglich ist, da dieses eine mögliche Gefahrenquelle darstellt.
- ⊖ Es ist verboten, mit den Füßen auf das Gerät zu steigen und jegliche Gegenstände darauf abzustellen.
- ⊖ Das Gerät kann an seinen Außenkomponenten Temperaturen von mehr als 70°C erreichen.

1.3 Produktpalette

Die DAIKIN-Wärmepumpen-Konvektoren sind in zwei Typen unterteilt: FWXV und FWXM. Jeder davon ist in drei Größen mit unterschiedlichen Leistungen und Größen verfügbar.

Serie FWXV

Kühler-Konvektor mit Metallgehäuse.

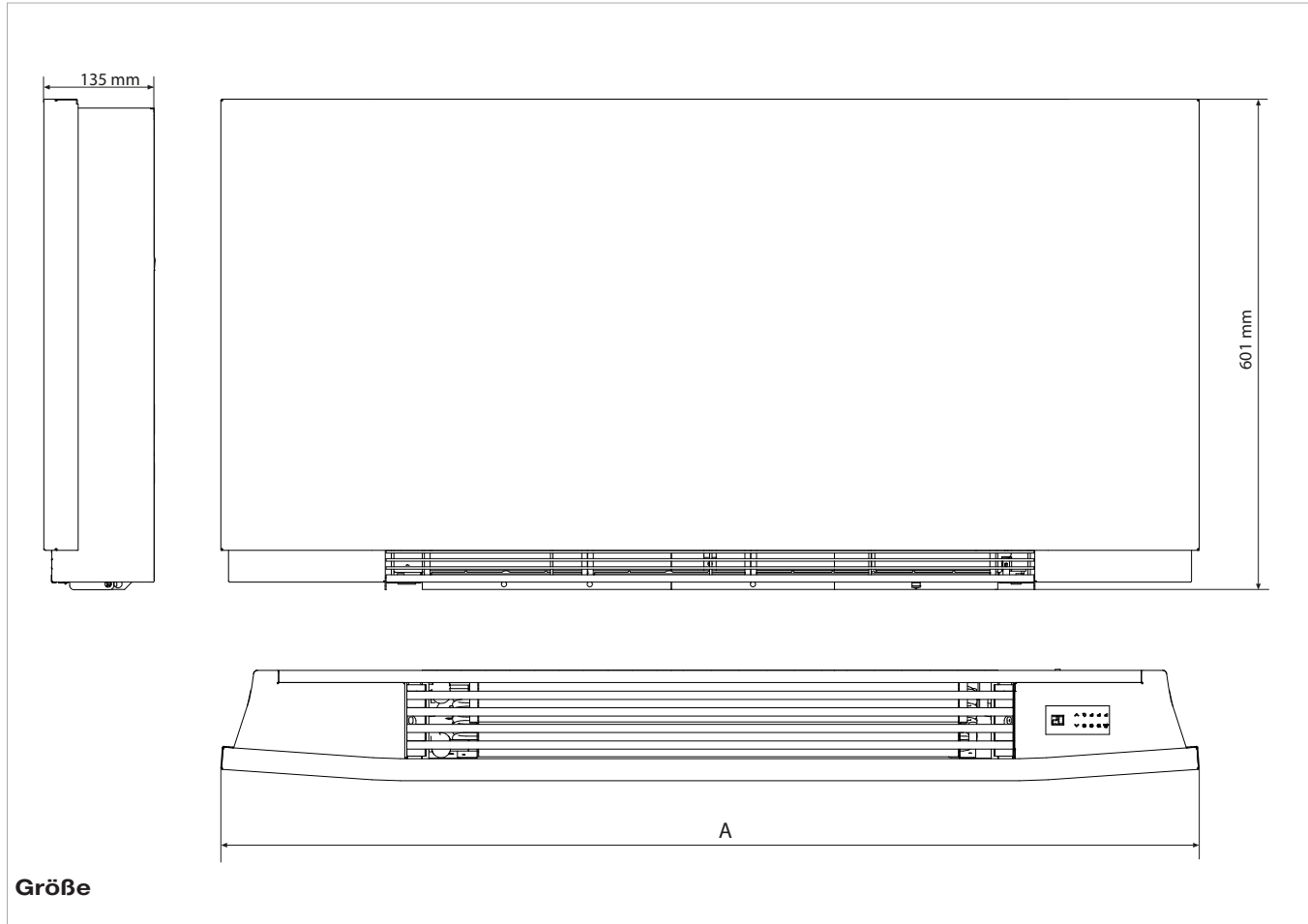
Serie FWXM

Integrierter Kühler-Konvektor ohne Verkleidungen.

1.4 Gesamtabmessungen

	U.M.	FWXV10AATV3(R)	FWXV15AATV3(R)	FWXV20AATV3(R)
		FWXV10ABTV3(R)	FWXV15ABTV3(R)	FWXV20ABTV3(R)
Abmessungen				
A	mm	999	1199	1399

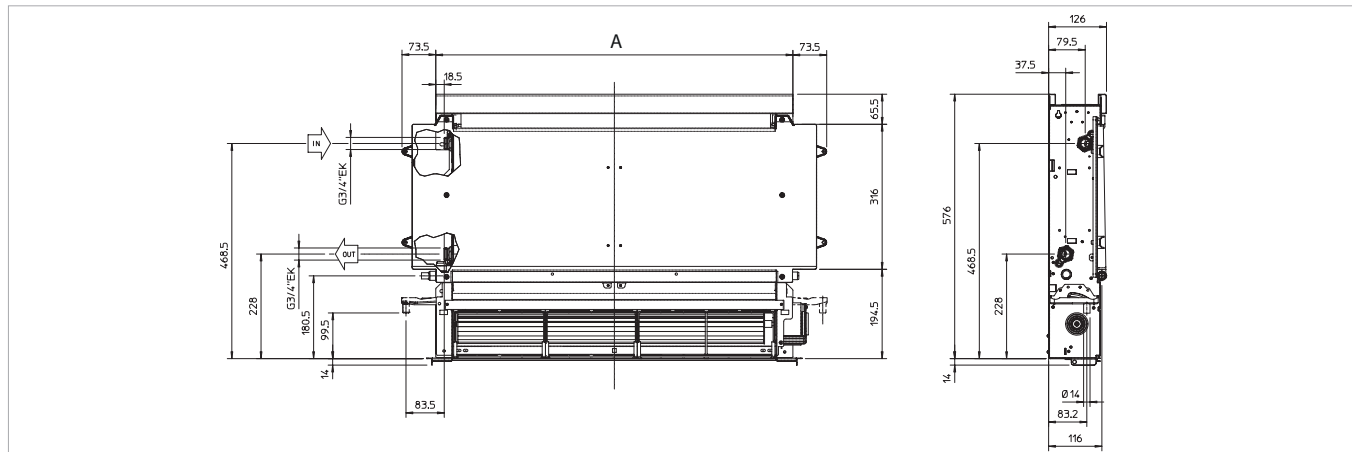
FWXV



Größe

	U.M.	FWXM10AATV3(R)	FWXM15AATV3(R)	FWXM20AATV3(R)
Abmessungen				
A	mm	578	778	978

FWXM



INSTALLATION

2.1 Positionierung der Einheit

⚠ Vermeiden Sie die Installation der Einheit an folgenden Orten:

- an Orten, an denen sie direkter Sonneneinstrahlung ausgesetzt ist;
- in der Nähe von Wärmequellen;
- in feuchten Umgebungen oder Bereichen mit möglichem Kontakt mit Wasser;
- in Umgebungen mit Öldampf;
- an Orten, an denen sie hochfrequenten Funkwellen ausgesetzt ist.

⚠ Stellen Sie sicher, dass:

- die Wand, an der die Einheit installiert werden soll, eine angemessene Struktur und Tragfähigkeit hat;
- im betreffenden Wandbereich keine Rohrleitungen oder elektrischen Leitungen verlaufen;
- der betreffende Wandbereich vollkommen eben ist;
- ein von Hindernissen, welche die Zirkulation der Zu- und Abluft behindern könnte, freier Bereich vorhanden ist;
- die Installationswand möglichst eine Außenwand ist, sodass die Abführung der Kondensflüssigkeit nach außen möglich ist;
- bei der Deckeninstallation (Ausführung FWXM) der Luftstrom nicht unmittelbar auf Personen gerichtet ist.

2.2 Installationsmodi

Die nachfolgenden Beschreibungen der verschiedenen Montagephasen und die zugehörigen Zeichnungen beziehen sich auf eine Maschinenausführung mit Anschlüssen auf der linken Seite.

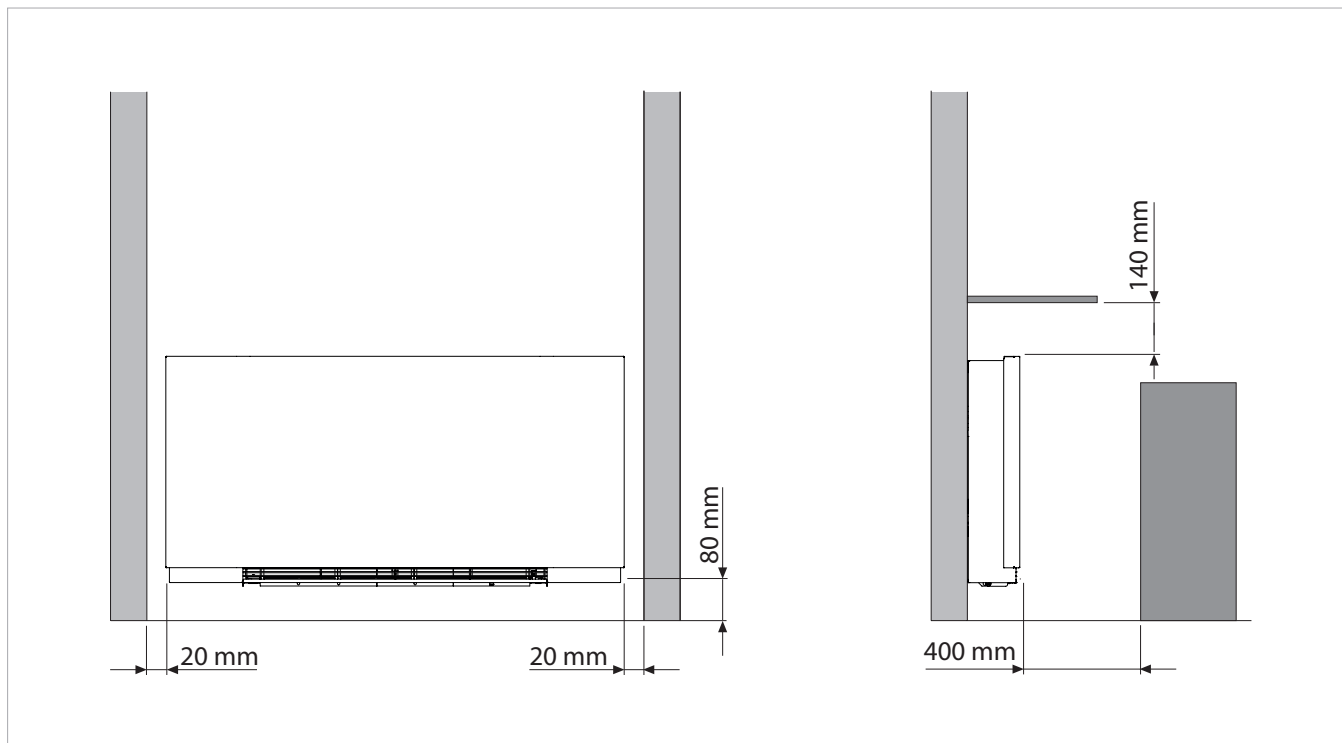
Die Beschreibungen für die Montagearbeiten bei Maschinen mit Anschlüssen auf der rechten (R) Seite sind dieselben.

Nur die Abbildungen sind spiegelverkehrt zu betrachten.

Zur Gewährleistung einer einwandfreien Installation und optimaler Betriebsleistungen sind die Anweisungen in diesem Handbuch strikt zu befolgen. Werden die aufgeführten Vorgaben nicht beachtet, kann dies Betriebsstörungen des Geräts verursachen und es entbindet die Firma DAIKIN EUROPE N.V. von jeder Form der Gewährleistungspflicht sowie der Haftung für eventuelle Schäden an Personen, Tieren oder Gegenständen.

2.3 Mindestinstallationsabstände

In der Abbildung sind die Mindestinstallationsabstände zwischen dem an einer Wand befestigten Kühler-Konvektor und Möbeln im Raum angegeben.



2.4 Zugang zu den internen Komponenten

Folgen Sie den nachstehenden Anweisungen, um Zugang zum Inneren des Geräts zu erhalten.

Entfernen Sie das obere Gitter:

- Lösen Sie die Befestigungsschrauben des oberen Gitters.

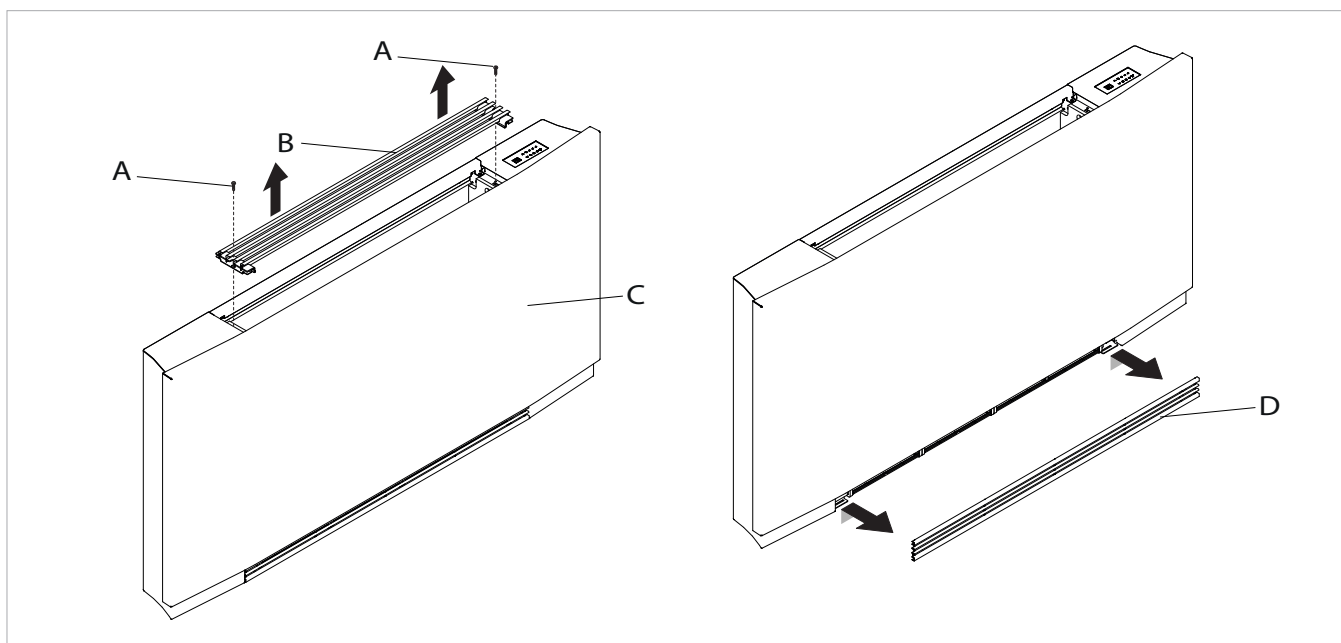
- Entfernen Sie das Gitter.

Entfernen Sie das vordere Gitter:

- Führen Sie das Gitter nach außen, bis es sich vollständig aus der Halterung gelöst hat.
- Kippen Sie das Gitter.
- Schieben Sie es nach außen.

A	Befestigungsschrauben
B	Oberes Gitter

C	Frontblende
D	Frontgitter

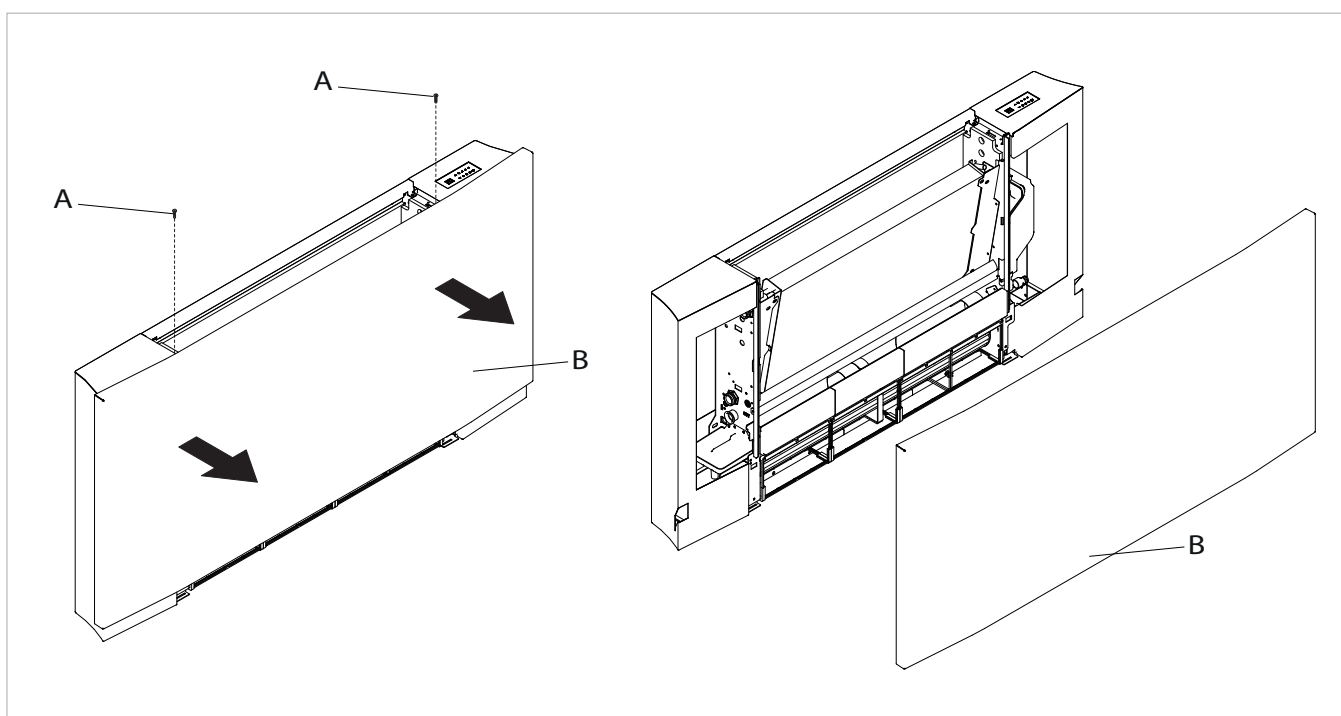


Entfernen Sie die Frontblende:

- Lösen Sie die Befestigungsschrauben.
- Entfernen Sie die Blende.

A	Befestigungsschrauben
----------	-----------------------

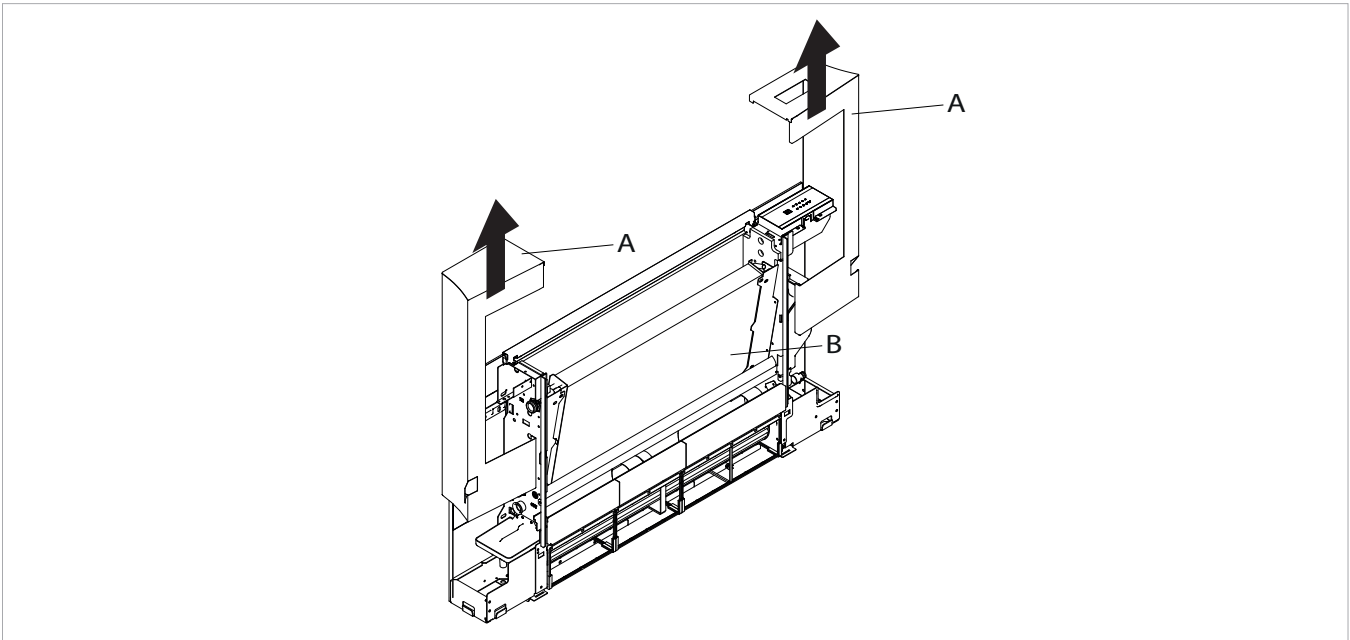
B	Frontblende
----------	-------------



2.5 Entfernung der Seitenteile

So entfernen Sie die Seitenteile:
 - Entfernen Sie die Seitenteile nach oben.

A	Seite
B	Maschinenkörper



2.6 Vertikale Installation

Verwenden Sie die Papierschablone und zeichnen Sie an der Wand die Position der beiden Befestigungswinkel vor. Bohren Sie die Bohrungen mit einem geeigneten Bohrer und führen Sie die Dübel ein (2 pro Winkel). Sichern Sie die beiden Winkel. Ziehen Sie die Schrauben nicht zu fest an, damit eine Regulierung der Winkel mit Hilfe einer Wasserwaage möglich ist. Montieren Sie das Gerät waagrecht (mit einer Toleranz von 1 ÷ 2% zum Abflussrohr, um den Wasserfluss zu erleichtern).

Ziehen Sie die vier Schrauben vollständig fest, um die beiden Halterungen zu fixieren. Überprüfen Sie die Stabilität, indem Sie die Winkel von Hand nach rechts und links, oben und unten schieben.

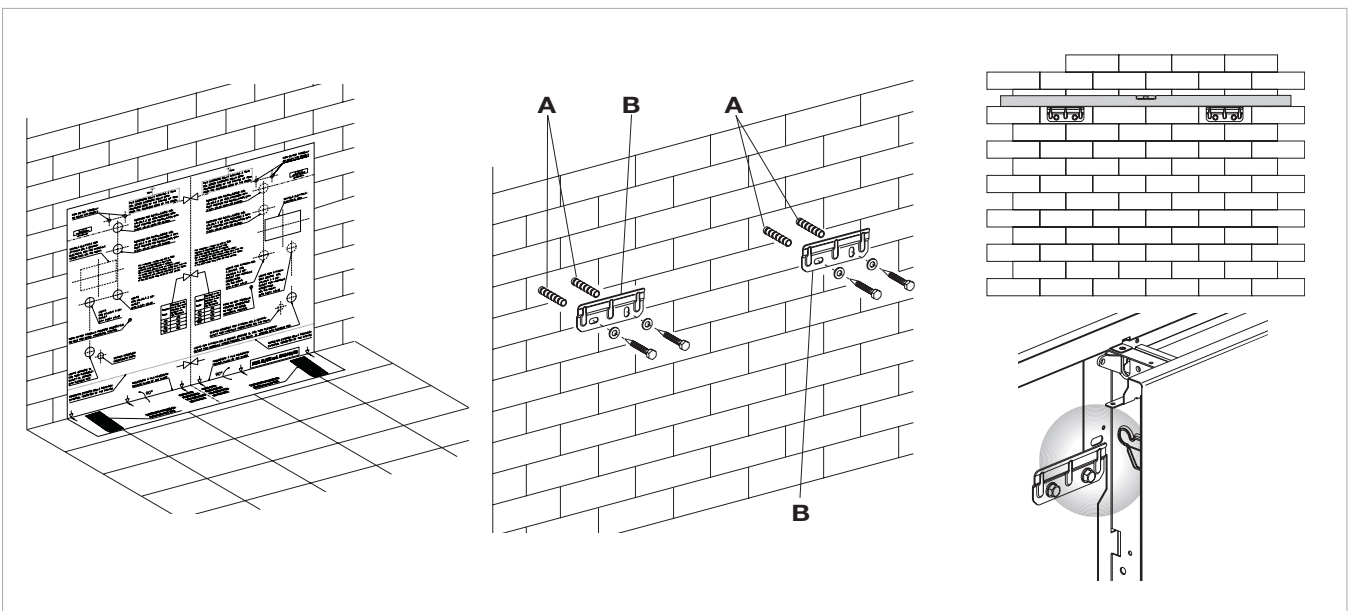
Montieren Sie die Einheit, wobei Sie die korrekte Position auf den Winkeln und die Stabilität prüfen.

Hinweis: Um das Anschließen der Rohre an die Anschlüsse des Gebläsekonvektors zu erleichtern, installieren Sie ein integriertes Gehäuse am Auslass der Rohre. Die korrekte Position des Gehäuses ist auf der Montageschablone angegeben.

DE

A	Dübel
----------	-------

B	Winkel
----------	--------



2.7 Horizontale oder Deckeninstallation

Verwenden Sie die Papierschablone und zeichnen Sie an der Decke die Position der beiden Befestigungswinkel und der beiden hinteren Schrauben vor. Bohren Sie die Bohrungen mit einem geeigneten Bohrer und führen Sie die Dübel ein (2 pro Winkel). Sichern Sie die beiden Winkel. Ziehen Sie die Schrauben nicht zu fest an. Positionieren Sie die Maschine auf den beiden Winkeln ein, wobei Sie die Position halten, und befestigen anschließend die beiden Schrauben in den hinteren Dübeln, jeweils eine pro Seite.

Montieren Sie das Gerät waagrecht (mit einer Toleranz von 1 ÷ 2% zum Abflussrohr, um den Wasserfluss zu

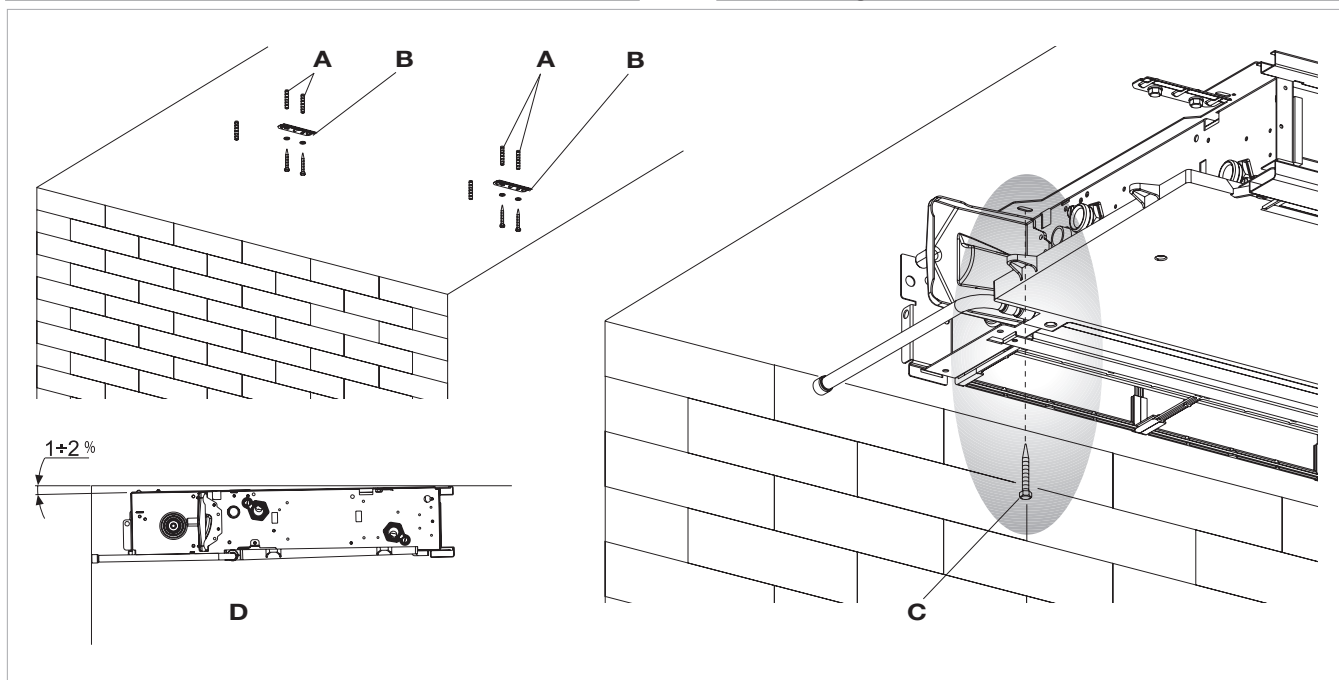
erleichtern).

Für die Installation der FWXV-Serie sind die Zubehörsätze EKM(10/15/20)COH für horizontale Kondensatauffangwannen erhältlich.

⚠ Überprüfen Sie sorgfältig die Neigung des Ableitungsrohrs. Jede Gegenneigung des Abflussrohrs kann zum Austreten von Wasser führen.

A	Dübel
B	Winkel

C	Schrauben
D	Drainagerohr



2.8

FWXV/FWXM	U.M.	10AATV3(R)	15AATV3(R)	20AATV3(R)
FWXV	U.M.	10ABTV3(R)	15ABTV3(R)	20ABTV3(R)
Durchmesser der Rohrleitungen	mm	14	16	18

Hinweis: Der Nenndurchmesser bezieht sich, sofern nicht anders angegeben, immer auf den Innendurchmesser.

Um die Bildung von Kondenswasser zu vermeiden, wird empfohlen, elektrische Ventilsätze zu installieren, außer wenn eine elektrische Steuerung (z. B. ein elektrothermischer Kopf) vor dem Gerät vorgesehen ist. Wahl und Bemessung der Hydraulikleitungen müssen von einem Fachmann vorgenommen werden, der gemäß bewährten Verfahren und den geltenden Gesetzen durchzuführen ist, wobei zu berücksichtigen ist, dass zu kleine Rohre eine Fehlfunktion verursachen.

Zur Herstellung der Anschlüsse:

- Positionieren Sie die Hydraulikleitungen.
- Ziehen Sie die Verbindungen mit der „Schlüssel-und-Gegenschlüssel“-Methode fest.

- Überprüfen Sie die Rohre auf ein mögliches Austreten von Flüssigkeit.
- Umhüllen Sie die Verbindungen mit Isoliermaterial.

⚠ Die Hydraulikleitungen und Verbindungsstellen müssen thermisch isoliert werden.

⚠ Vermeiden Sie eine Teilisolierung der Rohrleitungen.

⚠ Ziehen Sie sie nicht zu stark fest, um die Isolierung nicht zu beschädigen.

⚠ Verwenden Sie Hanf und Dichtpaste zur wasserfesten Abdichtung der Gewindeverbindungen. Die Verwendung von Teflonband empfiehlt sich bei Vorhandensein von Frostschutzmittel im Wasserkreislauf.

2.9 Kondenswasserabfluss

Das Kondenswasserabflussnetz muss eine geeignete Größe aufweisen. Die Rohrleitung ist derart zu positionieren, dass entlang dem Verlauf ein einheitliches Gefälle beibehalten wird, niemals weniger als 1%. Bei der vertikalen Installation wird die Auslassleitung direkt mit der Abflusswanne verbunden, die sich unten an der Seitenschulter unter den Hydraulikanschlüssen befindet. Bei der horizontalen Installation wird das Abflussrohr mit dem bereits am Gerät vorhandenen Rohr verbunden.

- Lassen Sie das Kondensat nach Möglichkeit direkt in eine Abflussrinne oder einen Regenwasserabfluss ab.
- Bei der direkten Einleitung in das Abwassersystem empfiehlt es sich, einen Siphon vorzusehen, um das Entstehen schlechter Gerüche in Richtung der Räume zu verhindern. Die Kurve des Siphons muss unterhalb der Kondensatwanne liegen.
- Wenn Kondensat in einen Behälter abgelassen werden muss, muss dieser für atmosphärische Einflüsse geöffnet sein und der Schlauch darf nicht in das Wasser eintauchen, um Probleme mit der Klebekraft und

Gegendruck zu vermeiden, die einen normalen Abfluss stören würden.

- Wenn ein Höhenunterschied besteht, der den Abfluss des Kondensats stören würde, muss eine Pumpe angebracht werden:
 - Montieren Sie bei der vertikalen Installation die Pumpe unter der seitlichen Entwässerungswanne.
 - Bei der horizontalen Installation ist die Position der Pumpe in Abhängigkeit der spezifischen Anforderungen festzulegen.
- Solche Pumpen sind im Allgemeinen im Handel erhältlich.

In jedem Fall sollte nach Abschluss der Installation der einwandfreie Abfluss der Kondensflüssigkeit geprüft werden, indem sehr langsam (zirka ½ l Wasser in zirka 5-10 Minuten) in die Sammelwanne gegossen wird.

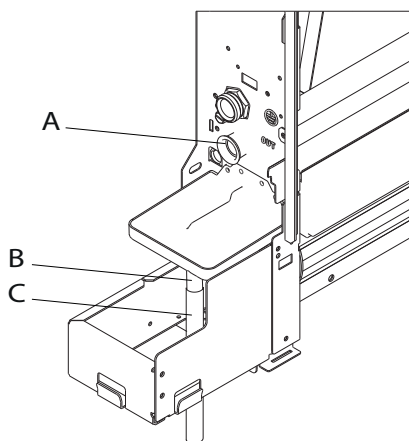
Installation der Kondensatauslassleitung in der vertikalen Version

Verbinden Sie ein Rohr für den Abfluss der Flüssigkeit mit dem Auslassstutzen der Kondenswasser-Auffangschale, indem Sie

dieses auf geeignete Weise befestigen. Stellen Sie sicher, dass die Tropfenfängerverlängerung vorhanden und korrekt installiert ist.

A	Ablaufanschlussstück
B	Schlauch für den Flüssigkeitsablauf - Ø14 mm

C	Verlängerungsablauffrinne
----------	---------------------------



DE

Installation der Kondensatauslassleitung in der horizontalen Version

Beachten Sie bei der Montage der horizontalen Wanne bei der FWXM-Serie die Anweisungen im Bausatz EKM(10/15/20)COH.

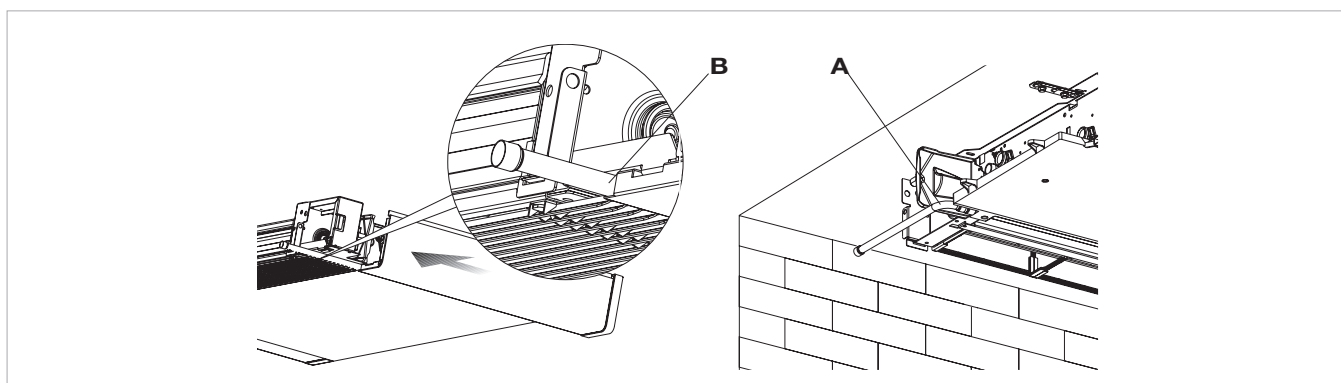
- Stellen Sie sicher, dass das "L"-Rohr und der flexible Gummischlauch korrekt mit der Wanne verbunden sind.
- Schieben Sie sie an der Seite der Maschine hinein, wobei Sie den Schlauch gegen das Vordergitter in Position halten.
- Schließen Sie die Seite vollständig und prüfen Sie, dass das Rohr in der speziellen Einkerbung an der Seite verbleibt.

Hinweis: Beachten Sie bei der horizontalen Installation die folgenden Vorsichtshinweise:

- Stellen Sie sicher, dass die Maschine perfekt nivelliert ist beziehungsweise eine leichte Neigung in Richtung des Kondenswasserabflusses aufweist.
- Stellen Sie eine gute Wärmedämmung der Zu- und Ablaufrohre bis zur Mündung in die Maschine her, um das Tropfen von Kondenswasser außerhalb der Sammelwanne selbst zu vermeiden.
- Isolieren Sie die Kondensatauslassleitung auf ihrer ganzen Länge bis zur Wanne.

A Anschlussrohr - Ø14 mm

B Abfluss



2.10 Füllen der Anlage

Stellen Sie während des Startens der Anlage sicher, dass die Verschraubung zur Hydraulikeinheit offen ist. Wenn die elektrische Stromversorgung fehlt und das Thermoventil

zuvor bereits gespeist wurde, ist es notwendig, die eigens vorgesehene Kappe zu verwenden, um den Ventilverschluss zum Öffnen des Ventils zu drücken.

2.11 Ausleiten der Luft beim Füllen der Anlage

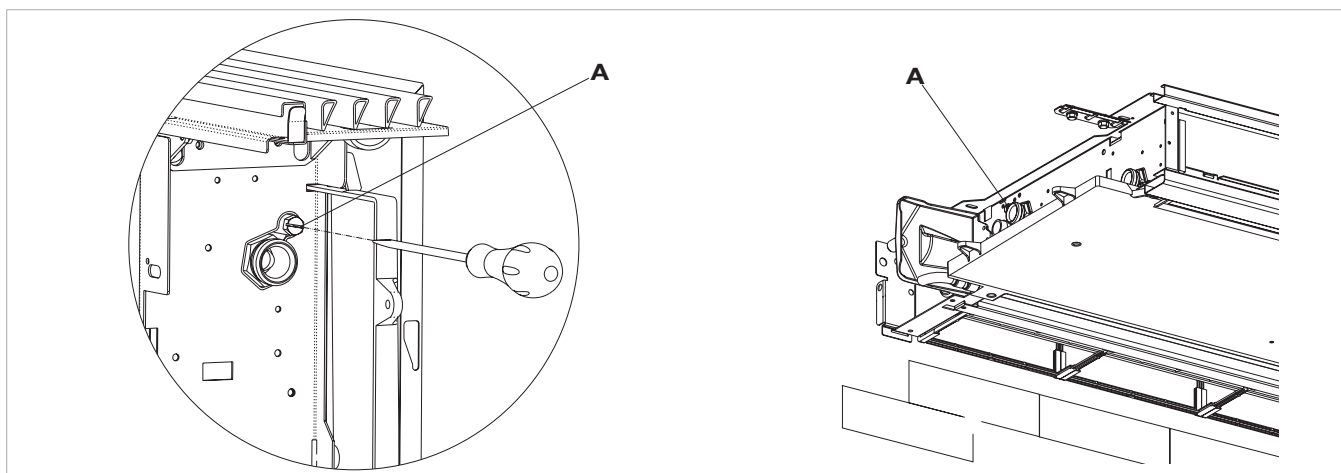
- Öffnen Sie alle Absperrventile der Anlage (manuell oder automatisch).
- Beginnen Sie mit dem Füllen, indem Sie langsam den Wasserhahn der Anlage öffnen.
- Öffnen Sie bei der in vertikaler Position installierten Einheit mit Hilfe eines Schraubenziehers den obersten Entlüfter des Wärmetauschers. Öffnen Sie bei der in horizontaler Position installierten Einheit den obersten Entlüfter.

- Sobald Wasser aus den Entlüftungsventilen des Geräts zu treten beginnt, schließen Sie diese und setzen den Füllvorgang fort, bis der für die Anlage vorgesehene Nennwert erreicht wurde.

Überprüfen Sie die Wasserdichtigkeit der Dichtungen.

Es empfiehlt sich, diesen Vorgang zu wiederholen, nachdem das Gerät einige Stunden gelaufen ist, und regelmäßig den Anlagendruck zu überprüfen.

A Entlüfter



2.12 Elektrische Anschlüsse

Stellen Sie die elektrischen Anschlüsse entsprechend den Anforderungen der Kapitel "Allgemeine Warnungen" und "Grundlegende Sicherheitsregeln" her, indem Sie auf die Diagramme in den Montage- und Zubehöranleitungen Bezug nehmen.

Stellen Sie vor allen Arbeiten sicher, dass die Stromversorgung

unterbrochen wurde.

Das Gerät muss über einen mehrpoligen Schalter mit einer minimalen Kontaktöffnung von mindestens 3 mm oder mit einem Gerät, das die vollständige Trennung des Gerätes unter den Bedingungen der Überspannungskategorie III ermöglicht, an das Stromnetz angeschlossen werden.

2.13 Wartung

Die regelmäßige Wartung ist unverzichtbar, um den Wärmepumpen-Konvektor stets in optimalem Betriebszustand, sicher und dauerhaft zuverlässig zu halten. Die Wartung kann halbjährlich oder in bestimmten

Fällen jährlich vom technischen Kundendienst, der technisch autorisiert und ausgebildet ist, unter Verwendung von Original-Ersatzteilen durchgeführt werden.

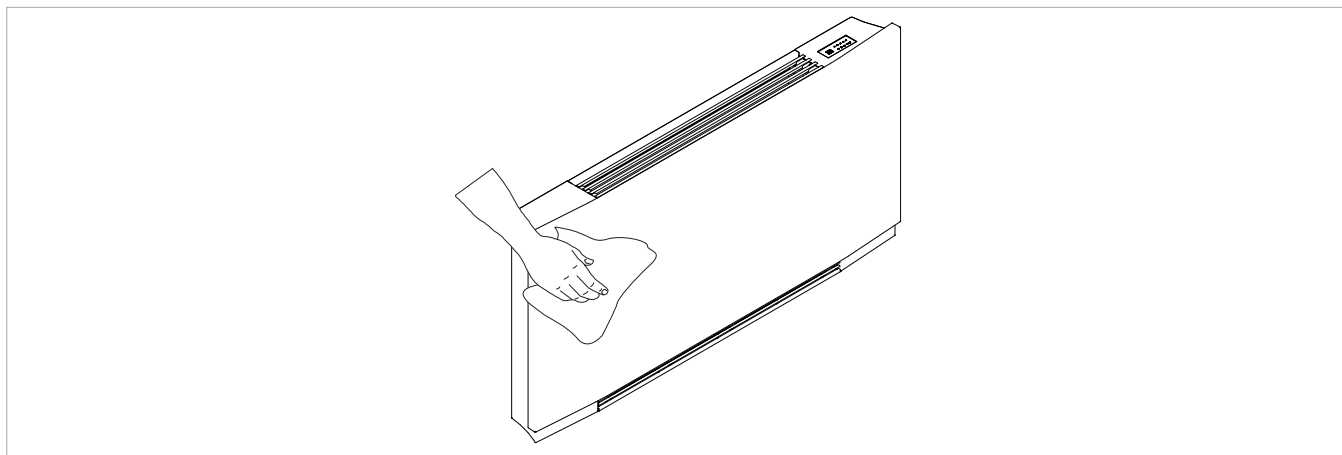
2.14 Reinigung des Geräteäußeren

⚠ Vor jedem Reinigungs- oder Wartungseingriff muss die Einheit vom Stromnetz getrennt werden, indem der Hauptschalter ausgeschaltet wird.

⚠ Warten Sie die Abkühlung der Komponenten ab, um die Gefahr von Verbrennungen zu vermeiden.

⚠ Verwenden Sie keine Scheuerschwämme oder Scheuermittel, um die lackierten Oberflächen nicht zu beschädigen.

Reinigen Sie gegebenenfalls die Außenoberflächen des Wärmepumpen-Konvektors mit einem weichen, mit Wasser befeuchteten Tuch.



2.15 Reinigung des Luftsaugfilters

Gehen Sie nach einem kontinuierlichen Betrieb und unter Berücksichtigung der Konzentration von Verunreinigungen in der Luft, oder wenn beabsichtigt wird, das Gerät nach

einem Zeitraum der Inaktivität wieder zu starten, wie beschrieben vor.

Entnehmen der Filterzellen

So entfernen Sie das Gitter:

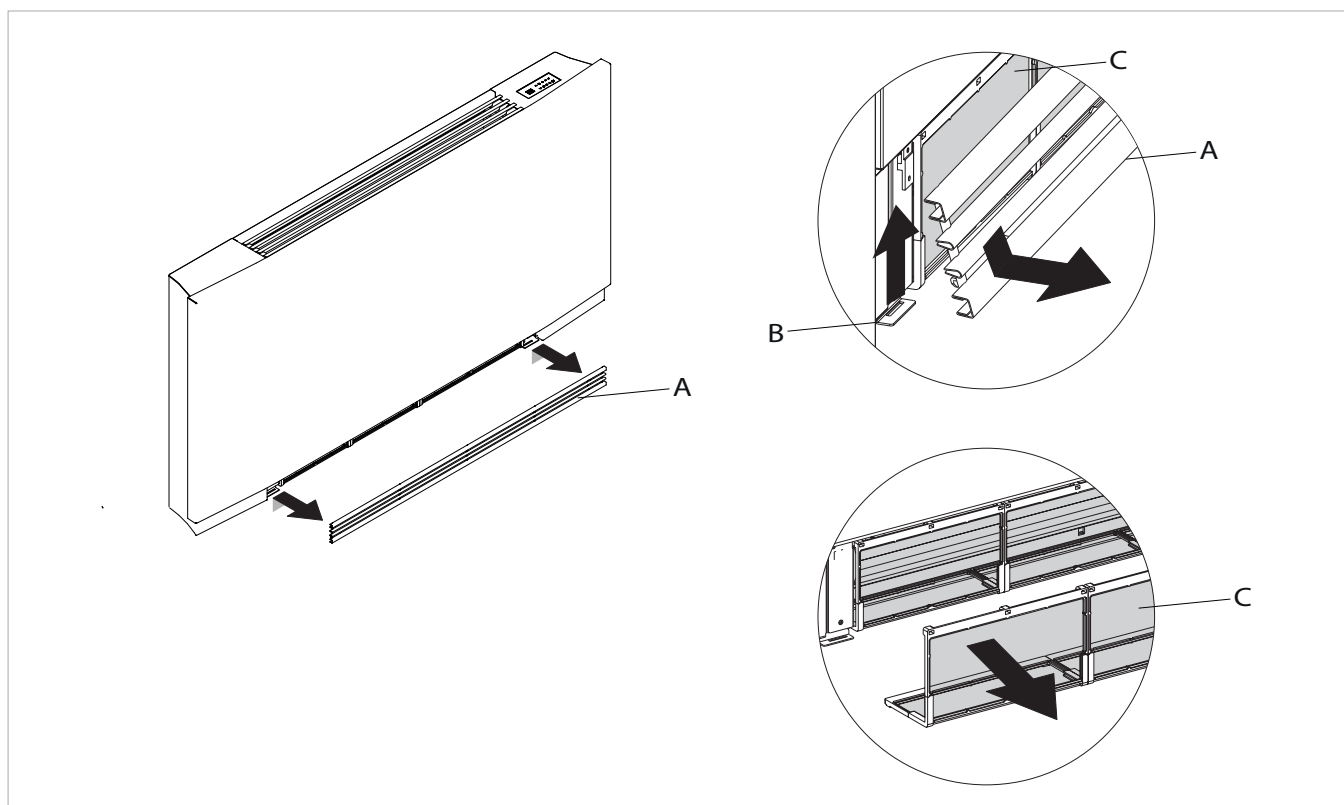
- Heben Sie das Gitter an, bis es sich vollständig aus der Halterung gelöst hat.
- Kippen Sie das Gitter und schieben Sie es nach

A	Frontgitter
B	Gitterhaken

außen.

- Entfernen Sie dann den Filter, indem Sie ihn nach außen ziehen.

C	Filter
----------	--------



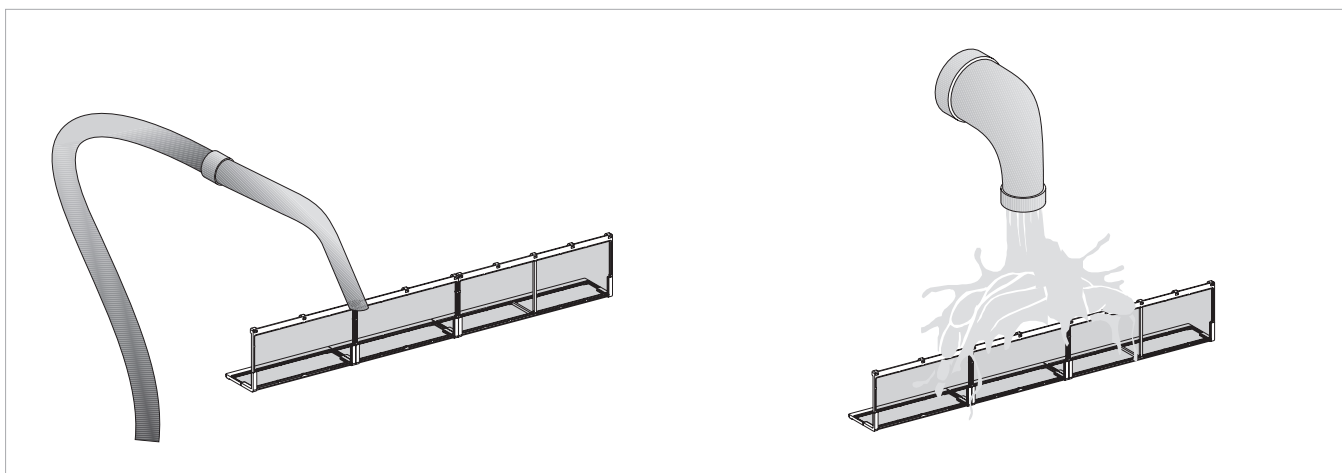
Reinigung der Filteraufnahme

- Saugen Sie den Staub mit einem Staubsauger ab.
- Waschen Sie den Filter unter fließendem Wasser ohne die Verwendung von Reinigungsmitteln oder Lösungsmitteln und lassen Sie ihn trocknen.

⊖ Die Verwendung des Gerätes ohne die Netzfilter ist verboten.

⚠ Das Gerät ist mit einem Sicherheitsschalter ausgestattet, der den Betrieb des Lüfters beim Fehlen oder bei fehlerhafter Positionierung der beweglichen Blende unterbindet.

⚠ Kontrollieren Sie nach den Filterreinigungsarbeiten die korrekte Montage der Blende.



Beendigung der Reinigungsarbeiten

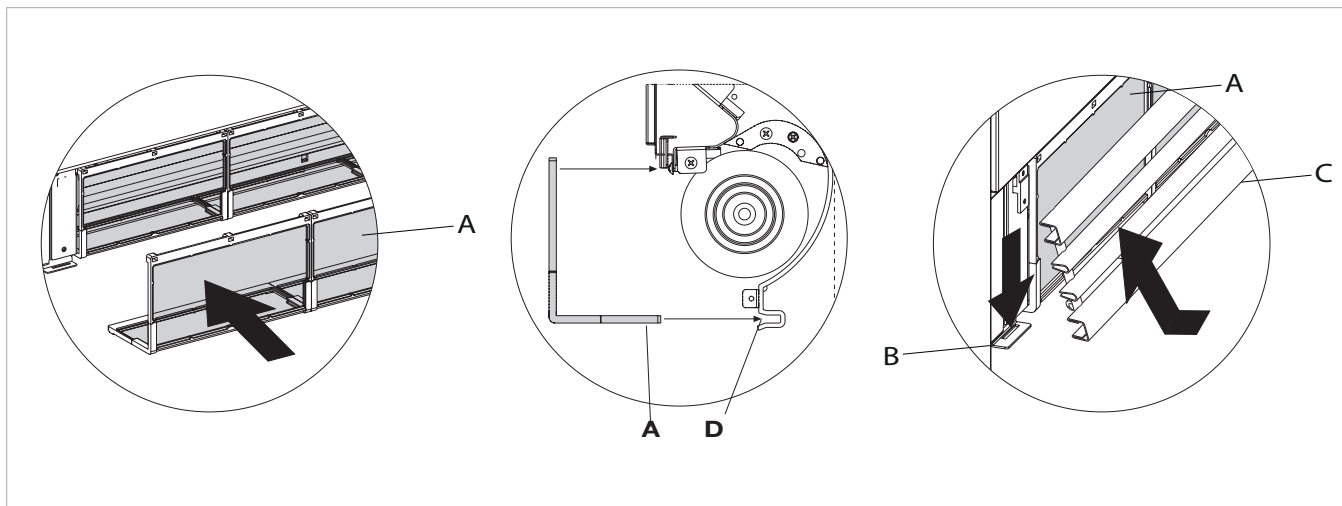
- Führen Sie bei den Ausführungen mit einem Lamellengitter die beiden Laschen in die vorgesehenen

Schlitze, drehen das Gitter und hängen Sie es mit leichtem Druck auf den oberen Teil ein.

A	Filter
B	Gitterhaken

C	Frontgitter
D	Das Filtergehäuse

DE



2.16 Energiesparhinweise

- Halten Sie die Filter stets sauber.
- Halten Sie Türen und Fenster der zu klimatisierenden Räume möglichst geschlossen.

- Begrenzen Sie im Sommer möglichst direkte Sonnenstrahlung in den zu klimatisierenden Räumen (verwenden Sie Vorhänge, Rollläden usw.).

PROBLEMBEHEBUNG

3.1 Problembehebung

- ⚠ Trennen Sie beim Austreten von Wasser oder Betriebsstörungen unverzüglich die elektrische Stromversorgung und schließen Sie die Wasserhähne..
- ⚠ Nehmen Sie beim Auftreten einer der folgenden Störungen Kontakt mit einem autorisierten Kundendienstzentrum beziehungsweise mit Fachpersonal auf und greifen Sie nicht selbst ein.

- Die Belüftung wird nicht aktiviert, auch wenn sich im Hydraulikkreislauf Warm- oder Kaltwasser befindet.
- Im Heizmodus tritt Wasser aus dem Gerät aus.
- Aus dem Gerät tritt nur im Kühlmodus Wasser aus.
- Aus dem Gerät sind laute Geräusche zu hören.
- Auf der Vorderblende bildet sich Tau.

3.2 Tabelle der Störungen und Abhilfemaßnahmen

Die Eingriffe sind durch einen Fachinstallateur oder ein spezialisiertes Kundendienstzentrum durchzuführen.

Wirkung	Ursache	Abhilfemaßnahme
Die Belüftung wird im Verhältnis zu den neuen Temperatur- oder Funktionseinstellungen verspätet aktiviert.	Das Kreislaufventil benötigt eine gewisse Zeit für seine Öffnung und dementsprechend dauert es eine gewisse Zeit, bis das Warm- oder Kaltwasser im Gerät zirkuliert.	Warten Sie 2 oder 3 Minuten auf die Öffnung des Kreislaufventils.
Das Gerät aktiviert die Belüftung nicht.	Es befindet sich kein warmes oder kaltes Wasser in der Anlage.	Stellen Sie sicher, dass das Wasserkessel oder der Kühler korrekt funktioniert.
Die Belüftung wird nicht aktiviert, auch wenn sich im Hydraulikkreislauf Warm- oder Kaltwasser befindet.	Das Hydraulikventil bleibt geschlossen	Bauen Sie den Ventilkörper ab und prüfen Sie, ob die Wasserzirkulation wiederhergestellt wird. Kontrollieren Sie den Betriebsstatus des Ventils, indem Sie dieses separat mit 230 V speisen. Sollte das Ventil aktiviert werden, kann das Problem in der elektronischen Steuerung liegen.
	Der Lüftermotor ist blockiert oder durchgebrannt.	Überprüfen Sie die Wicklungen des Motors und die freie Drehung des Lüfterrads.
	Der Mikroschalter zum Abschalten der Belüftung bei Öffnung des Filtergitters schließt nicht korrekt.	Stellen Sie sicher, dass das Schließen des Gitters die Aktivierung des Mikroschalterkontakts bewirkt.
	Die elektrischen Anschlüsse sind nicht korrekt.	Überprüfen Sie die elektrischen Anschlüsse.
Im Heizmodus tritt Wasser aus dem Gerät aus.	Undichtigkeiten bei den Hydraulikanschlüssen der Anlage.	Kontrollieren Sie die Undichtigkeit und ziehen Sie die Verbindungen bis zum Anschluss fest.
	Undichtigkeiten in der Ventilgruppe.	Überprüfen Sie den Zustand der Dichtungen.
Auf der Vorderblende bildet sich Tau.	Wärmeisolierungen abgelöst.	Kontrollieren Sie die korrekte Positionierung der thermoakustischen Isolierungen mit besonderer Beachtung der vorderen Isolierung über dem gerippten Wärmetauscher.

Wirkung	Ursache	Abhilfemaßnahme
Auf dem Luftauslassgitter sind einige Wassertropfen vorhanden.	Bei hoher Luftfeuchtigkeit (>60%) kann es zur Bildung von Kondensflüssigkeit kommen, insbesondere bei minimalen Belüftungsgeschwindigkeiten.	Sobald die relative Feuchtigkeit wieder sinkt, verschwindet der Effekt. Das Auftreten einiger Wassertropfen im Inneren des Geräts ist jedoch in keinem Fall Anzeichen einer Betriebsstörung.
Aus dem Gerät tritt nur im Kühlmodus Wasser aus.	Die Kondenswasserwanne ist verstopft.	Geben Sie langsam den Inhalt einer Flasche Wasser in den unteren Teil der Batterie, um den Ablauf zu überprüfen. Reinigen Sie gegebenenfalls die Wanne und erhöhen Sie das Gefälle des Ablaufrohrs.
	Der Kondenswasserabfluss hat nicht die erforderliche Neigung für den korrekten Ablauf.	
Aus dem Gerät sind laute Geräusche zu hören.	Die Anschlussrohrleitungen und die Ventilgruppe sind nicht gut isoliert.	Kontrollieren Sie die Isolierung der Rohrleitungen.
	Das Lüfterrad berührt den Rahmen.	Überprüfen Sie, ob die Filter verstopft sind, und reinigen Sie sie bei Bedarf.
	Das Lüfterrad läuft unrund.	Der unrunde Lauf führt zu starken Vibrationen des Geräts. Wechseln Sie das Lüfterrad aus.
	Überprüfen Sie, ob die Filter verstopft sind, und reinigen Sie sie bei Bedarf.	Reinigen Sie die Filter

3.3 Technische Daten

FWXV	u.m.	10AATV3(R)	15AATV3(R)	20AATV3(R)
		10ABTV3(R)	15ABTV3(R)	20ABTV3(R)

KÜHLLEISTUNGEN (W 7/12 °C; A 27 °C)

Kühlleistung insgesamt	(1)	kW	1,62	2,64	2,99
Sinnvolle Kühlleistung	(1)	kW	1,25	1,91	2,33
Latente Kühlleistung	(1)	kW	0,37	0,73	0,66
Wasserdurchfluss	(1)	L/h	365	483	568
Druckverlust	(1)	kPa	11,0	23,0	22,0

HEIZLEISTUNGEN (W 45/40 °C; A 20 °C)

Heizleistung	(2)	kW	1,96	2,86	3,50
Wasserdurchfluss	(2)	L/h	380	519	655
Druckverlust	(2)	kPa	11,0	23,0	22,0

HYDRAULISCHE DATEN

Wassergehalt der Spule		L	0,80	1,13	1,46
Maximaler Betriebsdruck		bar	10	10	10
Hydraulische Anschlüsse		" EK	3/4		
Max. Wassereintrittstemperatur		°C	80	80	80
Min. Wassereintrittstemperatur		°C	4	4	4

AERAUISCHE DATEN

Luftstrom bei maximaler Gebläsedrehzahl	(3)	m³/h	294	438	567
Luftstrom bei mittlerer Gebläsedrehzahl		m³/h	210	318	410
Luftstrom bei minimaler Gebläsedrehzahl		m³/h	118	180	247
Statischer Druck verfügbar		Pa	10	13	13

ELEKTRISCHE DATEN

Stromversorgung		V/ph/Hz	230-1-50		
Elektrische Leistungsaufnahme bei maximaler Lüfterdrehzahl		W	19,0	25,0	31,0
Maximal aufgenommener Strom		A	0,16	0,18	0,26
Elektrische Leistungsaufnahme bei minimaler Lüfterdrehzahl		W	4,0	6,0	5,0

TONDATEN

Maximaler Schalleistungspegel		dB(A)	56	57	58
Schalldruckpegel bei maximalem Luftstrom	(4)	dB(A)	47	48	49
Schalldruckpegel bei mittlerem Luftdurchsatz	(4)	dB(A)	38	39	40
Schalldruckpegel bei minimalem Luftdurchsatz	(4)	dB(A)	31	33	34

Gewicht		kg	20	23	26
---------	--	----	----	----	----

(1) Wassertemperatur 7/12°C, Lufttemperatur 27°C BS und 19°C BU, EN 1397

(2) Wassertemperatur 45/40°C, Lufttemperatur 20°C BS und 15°C BU, EN 1397

(3) Luftstrom gemessen mit sauberen Filtern

(4) Schalldruck gemessen in einem Abstand von 1 Meter nach ISO7779

FWXM	u.m.	10AATV3(R)	15AATV3(R)	20AATV3(R)	
KÜHLEISTUNGEN (W 7/12 °C; A 27 °C)					
Kühlleistung insgesamt	(1)	kW	2,12	2,81	3,30
Sinnvolle Kühlleistung	(1)	kW	1,72	2,11	2,71
Latente Kühlleistung	(1)	kW	0,40	0,70	0,59
Wasserdurchfluss	(1)	L/h	365	483	568
Druckverlust	(1)	kPa	8,2	17,1	18,0
HEIZLEISTUNGEN (W 45/40 °C; A 20 °C)					
Heizleistung	(2)	kW	2,21	3,02	3,81
Wasserdurchfluss	(2)	L/h	380	519	655
Druckverlust	(2)	kPa	9,2	19,1	21,2
HYDRAULISCHE DATEN					
Wassergehalt der Spule		L	0,80	1,13	1,46
Maximaler Betriebsdruck		bar	10	10	10
Hydraulische Anschlüsse		" EK	3/4		
Max. Wassereintrittstemperatur		°C	80	80	80
Min. Wassereintrittstemperatur		°C	4	4	4
AERAUISCHE DATEN					
Luftstrom bei maximaler Gebläsedrehzahl	(3)	m³/h	294	438	567
Luftstrom bei mittlerer Gebläsedrehzahl		m³/h	210	318	410
Luftstrom bei minimaler Gebläsedrehzahl		m³/h	118	180	247
Statischer Druck verfügbar		Pa	10	13	13
ELEKTRISCHE DATEN					
Stromversorgung		V/ph/Hz	230-1-50		
Elektrische Leistungsaufnahme bei maximaler Lüfterdrehzahl		W	19,0	20,0	29,0
Maximal aufgenommener Strom		A	0,16	0,18	0,26
Elektrische Leistungsaufnahme bei minimaler Lüfterdrehzahl		W	4,0	6,0	5,0
TONDATEN					
Maximaler Schalleistungspegel		dB(A)	53	54	55
Schalldruckpegel bei maximalem Luftstrom	(4)	dB(A)	42	44	46
Schalldruckpegel bei mittlerem Luftdurchsatz	(4)	dB(A)	34	34	35
Schalldruckpegel bei minimalem Luftdurchsatz	(4)	dB(A)	25	26	26
Gewicht					
Gewicht		kg	12	15	18

(1) Wassertemperatur 7/12°C, Lufttemperatur 27°C BS und 19°C BU, EN 1397

(2) Wassertemperatur 45/40°C, Lufttemperatur 20°C BS und 15°C BU, EN 1397

(3) Luftstrom gemessen mit sauberen Filtern

(4) Schalldruck gemessen in einem Abstand von 1 Meter nach ISO7779

DAIKIN EUROPE N.V.

Zandvoordestraat 300, B-8400 Oostende, Belgium

Copyright 2019 Daikin

cod. N420249A - 04



MANUEL D'INSTALLATION

Daikin Altherma Ventilo-convecteur au sol

FWXV10ABTV3(R)
FWXV15ABTV3(R)
FWXV20ABTV3(R)
FWXV10AATV3(R)
FWXV15AATV3(R)
FWXV20AATV3(R)
FWXM10AATV3(R)
FWXM15AATV3(R)
FWXM20AATV3(R)

Nous aimerions vous remercier d'avoir choisi un de nos produits.

Nous sommes persuadés que vous serez heureux avec votre choix, car il représente la fine pointe de la technologie de la climatisation domestique.

En mettant en œuvre les suggestions fournies dans ce manuel, le produit que vous avez acheté fonctionnera sans problèmes en vous proposant des températures intérieures optimales à moindre coût en termes d'énergie.

DAIKIN EUROPE N.V.

Conformité

Cet appareil est conforme aux directives européennes:

- Directive basse tension 2014/35/UE;
- Directive compatibilité électromagnétique 2014/30/UE.

Symboles

Les symboles suivants fournissent les informations nécessaires pour une utilisation correcte et sécuritaire de

la machine de manière rapide et sans équivoque

Pictogrammes d'édition

U Utilisateur

- Fait référence aux pages qui contiennent des instructions ou des informations pour l'utilisateur.

I Installateur

- Fait référence aux pages qui contiennent des instructions ou des informations pour l'installateur.

S Service

- Fait référence aux pages qui contiennent des instructions ou des informations pour le SERVICE À LA CLIENTÈLE TECHNIQUE pour installateurs.

Pictogrammes de sécurité

Danger générique

- Indique que l'opération décrite, si elle n'est pas faite en conformité avec les règles de sécurité, risque d'engendrer des blessures physiques.

Danger de haute tension

- Indique que l'opération décrite, si elle n'est pas faite en conformité avec les règles de sécurité, risque de causer un choc électrique.

Danger dû à la chaleur

- Indique que l'opération décrite, si elle n'est pas faite en conformité avec les règles de sécurité, risque de causer des brûlures.

Interdiction

- Fait référence aux actions que vous devez absolument éviter de faire.

Général

1.1	Avertissements généraux	4
1.2	Règles fondamentales de sécurité	4
1.3	Gamme de produits	5
1.4	Dimensions hors tout	6

Installation












2.1	Mise en place de l'unité	7
2.2	Modes d'installation	7
2.3	Espace minimum d'installation.	7
2.4	Accès aux composants internes	8
2.5	Retrait des panneaux latéraux	9
2.6	Installation verticale	9
2.7	Installation au plafond ou horizontale	10
2.8	Branchements hydrauliques	10
2.9	Évacuation de la condensation	11
2.10	Remplissage du système	12
2.11	Purge de l'air pendant le remplissage du système	12
2.12	Les branchements électriques	13
2.13	Entretien	13
2.14	Nettoyage externe	13
2.15	Nettoyage du filtre d'aspiration d'air	14
2.16	Conseils pour les économies d'énergie	15

Dépannage






3.1	Dépannage	16
3.2	Tableau des anomalies et des solutions.	16
3.3	Données techniques	18


GÉNÉRAL

1.1 Avertissements généraux


-  Après avoir enlevé l'emballage, s'assurer que tous les composants sont présents. Si cela n'est pas le cas, adressez-vous à votre installateur ou à votre bureau affilié DAIKIN.
-  L'installation des appareils DAIKIN doit être effectuée par un installateur agréé qui, en fin de travail, doit remettre au client une déclaration de conformité selon les lois en vigueur et les indications fournies par DAIKIN dans la notice d'instructions accompagnant l'appareil.
-  Ces appareils ont été conçus pour à la fois la climatisation et/ou le chauffage de lieux, et ils doivent être destinés exclusivement à cet usage et de façon compatible avec leurs caractéristiques de performances.
DAIKIN EUROPE N.V. décline toute responsabilité tant contractuelle qu'extracontractuelle pour les dommages causés à des personnes, des animaux ou des biens par des erreurs d'installation, de réglage ou d'entretien, ou par un usage non approprié.
-  En cas de fuites d'eau, amener l'interrupteur général du système sur «ARRÊT» et fermer les robinets d'eau. Appeler dans les meilleurs délais le service technique de DAIKIN, ou bien du personnel professionnellement qualifié et ne pas intervenir personnellement sur l'appareil.
-  La série FWXM série encastrée est dépourvue de grille et de plaque de recouvrement. Prévoir des protecteurs et des grilles d'entrée/de sortie d'air propres à empêcher tout contact accidentel avec l'appareil.
-  L'inutilisation prolongée de l'appareil nécessite la réalisation des opérations suivantes:
 - Amener l'interrupteur général du système sur «ARRÊT»
 - Fermer les robinets d'eau
 - S'il y a danger de gel, s'assurer que le circuit a été additionné de liquide antigel, sinon vider le système.
-  Une température ambiante trop basse ou trop élevée est nuisible à la santé et constitue un gaspillage inutile d'énergie.
Éviter le contact prolongé avec le flux d'air direct.
-  Éviter que la pièce reste fermée pendant longtemps. Ouvrir régulièrement les fenêtres pour assurer un renouvellement d'air correct.
-  La présente notice d'instructions fait partie intégrante de l'appareil et doit par conséquent être conservée avec soin et TOUJOURS accompagner l'appareil même en cas de cession de ce dernier à un nouveau propriétaire ou utilisateur ou bien de transfert sur un autre système. En cas de détérioration ou de perte, veuillez contacter un centre d'assistance technique local de DAIKIN.
-  Les interventions de réparation ou d'entretien doivent être effectuées par le service technique ou par du personnel professionnellement qualifié selon les indications du présent livret. Ne pas modifier ou intervenir sur l'appareil, car cela pourrait créer des situations de danger et le fabricant de l'appareil n'est pas responsable des éventuels dommages provoqués.
-  Risque de brûlures - faire très attention au contact

1.2 Réglés fondamentales de sécurité


-  Rappelons que l'utilisation de produits employant de l'électricité et de l'eau nécessite le respect de quelques règles fondamentales de sécurité, telles que:
 -  Cet appareil peut être utilisé par des enfants âgés de 8 ans et plus, et par des personnes ayant des capacités physiques, sensorielles ou mentales réduites, ou manquant d'expérience ou de connaissances nécessaires, à condition qu'elles soient sous surveillance ou après avoir reçu des instructions concernant l'utilisation en toute sécurité de l'unité et avoir compris les dangers qui y sont inhérents. Les enfants ne doivent pas jouer avec cet appareil. Le nettoyage et l'entretien destinés à être effectués par l'utilisateur ne doivent pas être effectués par des enfants sans surveillance.
 -  Il est défendu de toucher l'appareil avec les mains mouillées ou avec le corps en étant pieds nus.
 -  Toute opération de nettoyage est défendue avant d'avoir débranché l'appareil du réseau d'alimentation électrique en amenant l'interrupteur général du système sur "ARRÊT".
 -  Il est défendu de modifier les dispositifs de sécurité ou de réglage ou d'effectuer des réglages sans l'autorisation et les indications du constructeur.


 Il est défendu de tirer, couper ou nouer les câbles électriques sortant de l'appareil, même si ce dernier est débranché du réseau d'alimentation électrique.

 Il est défendu d'introduire des objets ou toute autre chose à travers les grilles d'entrée ou de sortie.

 Il est défendu d'ouvrir les portillons d'accès aux composants internes de l'appareil, sans avoir au préalable amené l'interrupteur général du système sur "ARRÊT".

 Il est défendu de jeter dans la nature ou de laisser à la portée des enfants les matériels d'emballage car il peuvent être une source potentielle de danger.

 Il est défendu de grimper sur l'appareil ou d'y poser quelque objet que ce soit.

 L'appareil peut atteindre des températures, sur les composants externes, supérieures à 70°C.

1.3 Gamme de produits

Les convecteurs de pompe à chaleur DAIKIN se subdivisent en 2 types, FWXV et FWXM, chacun étant proposé en 3 tailles de performances et de dimensions différentes.

Série FWXV

convecteur de refroidissement avec armoire en métal.

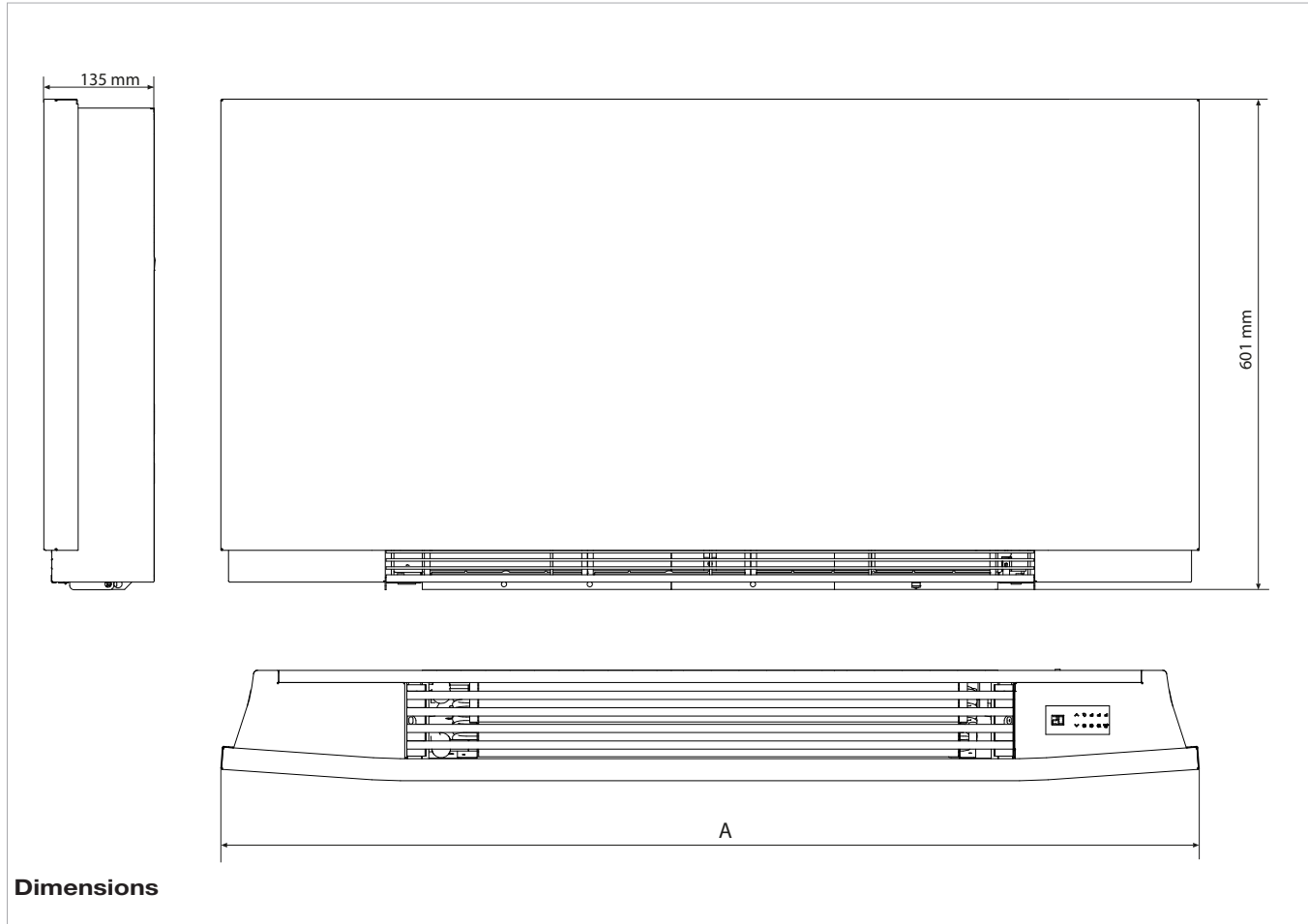
Série FWXM

Convecteur de refroidissement encastrable sans panneaux.

1.4 Dimensions hors tout

	U.M.	FWXV10AATV3(R)	FWXV15AATV3(R)	FWXV20AATV3(R)
		FWXV10ABTV3(R)	FWXV15ABTV3(R)	FWXV20ABTV3(R)
Dimensions				
A	mm	999	1199	1399

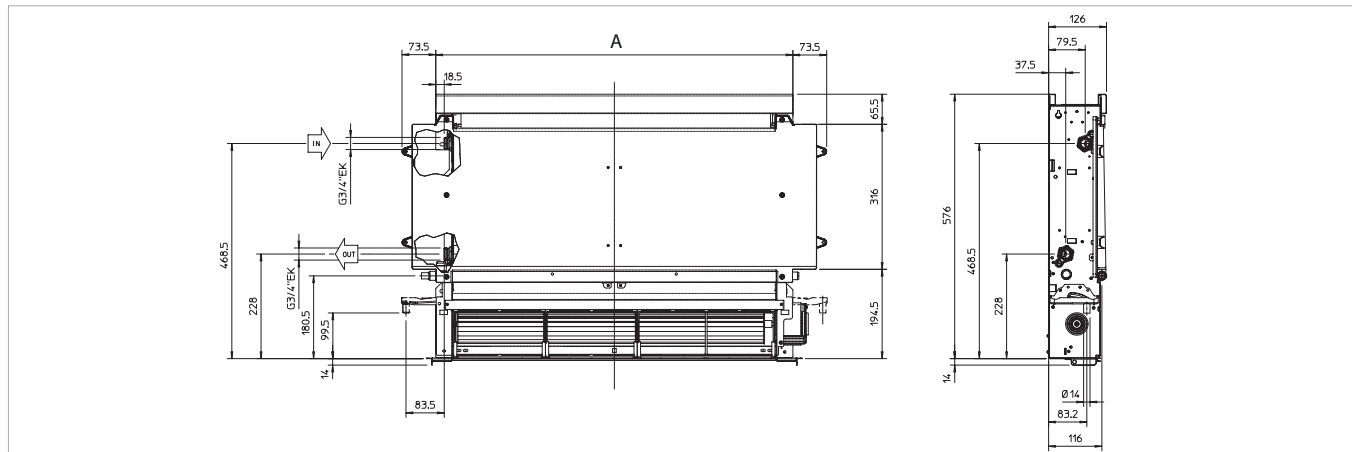
FWXV



Dimensions

	U.M.	FWXM10AATV3(R)	FWXM15AATV3(R)	FWXM20AATV3(R)
Dimensions				
A	mm	578	778	978

FWXM



INSTALLATION

2.1 Mise en place de l'unité



Éviter l'installation de l'unité:

- dans des positions soumises à l'exposition directe à la lumière du soleil;
- à proximité de sources de chaleur;
- dans des zones humides ou des endroits ayant un contact probable avec l'eau;
- dans des endroits présentant des vapeurs d'huile
- dans des endroits soumis à des ondes radio de haute fréquence.



S'assurer que:

- le mur sur lequel l'on prévoit d'installer l'unité est

suffisamment solide pour soutenir le poids;

- la zone du mur concernée n'est pas parcourue par des tubes ou des fils électriques;
- le mur concerné est parfaitement plan;
- est présente une zone libre d'obstacles pouvant compromettre la circulation de l'air à l'entrée et à la sortie;
- le mur d'installation est dans la mesure du possible un mur de périmètre externe pour permettre l'évacuation des condensations à l'extérieur;
- en cas d'installation au plafond (série FWXM), le flux d'air n'est pas orienté directement vers les personnes.

2.2 Modes d'installation

Les descriptions suivantes sur les différentes phases de montage et les designs correspondants se réfèrent à une version de la machine ayant les prises à gauche.

Les descriptions pour le montage des machines ayant les prises à droite (R) sont exactement les mêmes.

Cependant, les images doivent être considérées comme représentées de façon spéculaire.

Pour obtenir une bonne installation et des performances

de fonctionnement optimales, suivre attentivement les indications du présent manuel. Le non-respect des règles mentionnées peut non seulement entraîner des dysfonctionnements de l'appareil, mais également la nullité de la garantie et par conséquent DAIKIN EUROPE N.V. ne pourra être tenue responsable des dommages éventuels causés à des personnes, des animaux ou des biens.

2.3 Espace minimum d'installation

La figure indique les distances minimum de montage entre convecteur de refroidissement mural et les meubles présents dans la pièce.



2.4 Accès aux composants internes

Pour accéder à l'intérieur de la machine, suivez les procédures ci-dessous.

Retirez la grille supérieure:

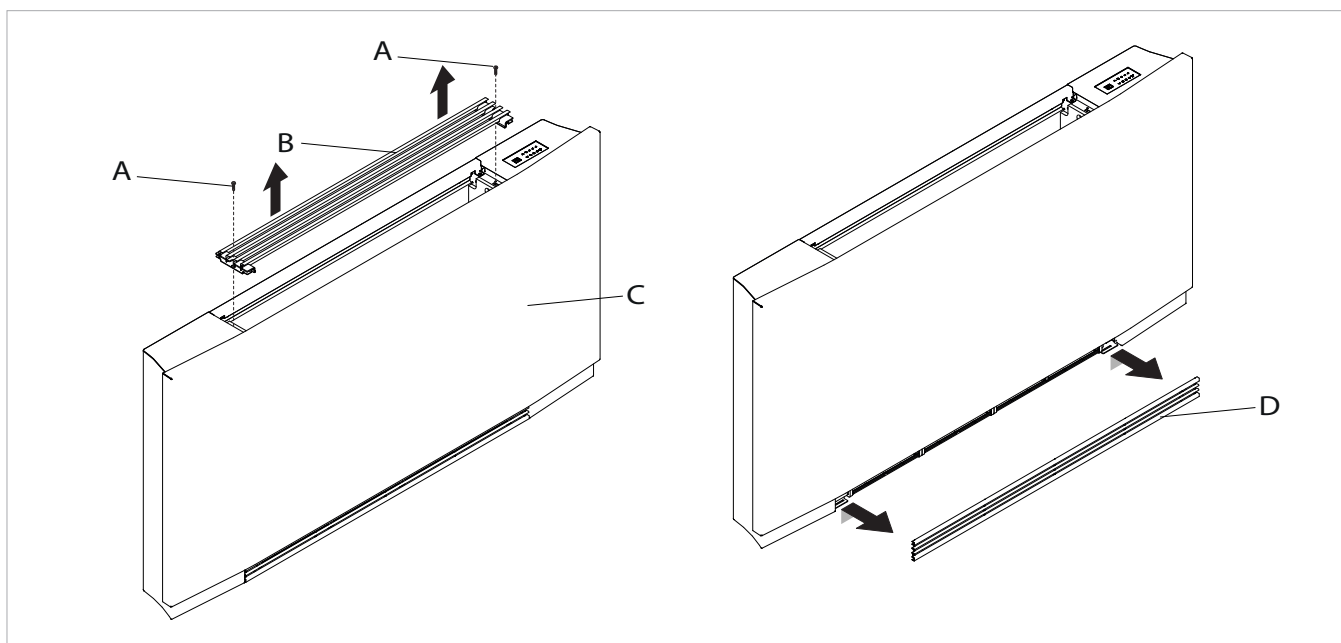
- déserrez les vis de fixation de la grille supérieure
- retirez la grille

Retirez la grille avant:

- soulevez la grille jusqu'à ce qu'elle soit complètement sortie de son logement
- inclinez la grille
- faites-la coulisser vers l'extérieur

A	Vis de fixation
B	Grille supérieure

C	Panneau avant
D	Grille avant

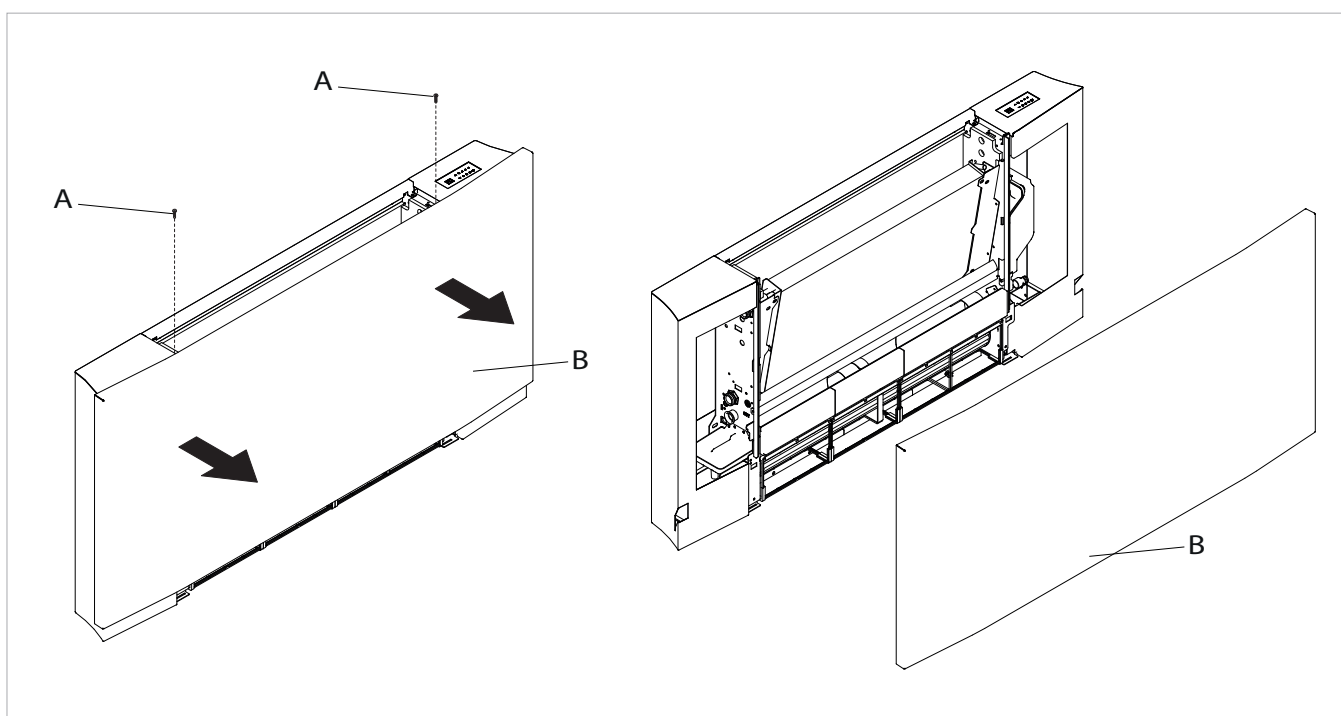


Retirez le panneau avant:

- dévissez les vis de fixation
- enlevez le panneau

A	Vis de fixation
----------	-----------------

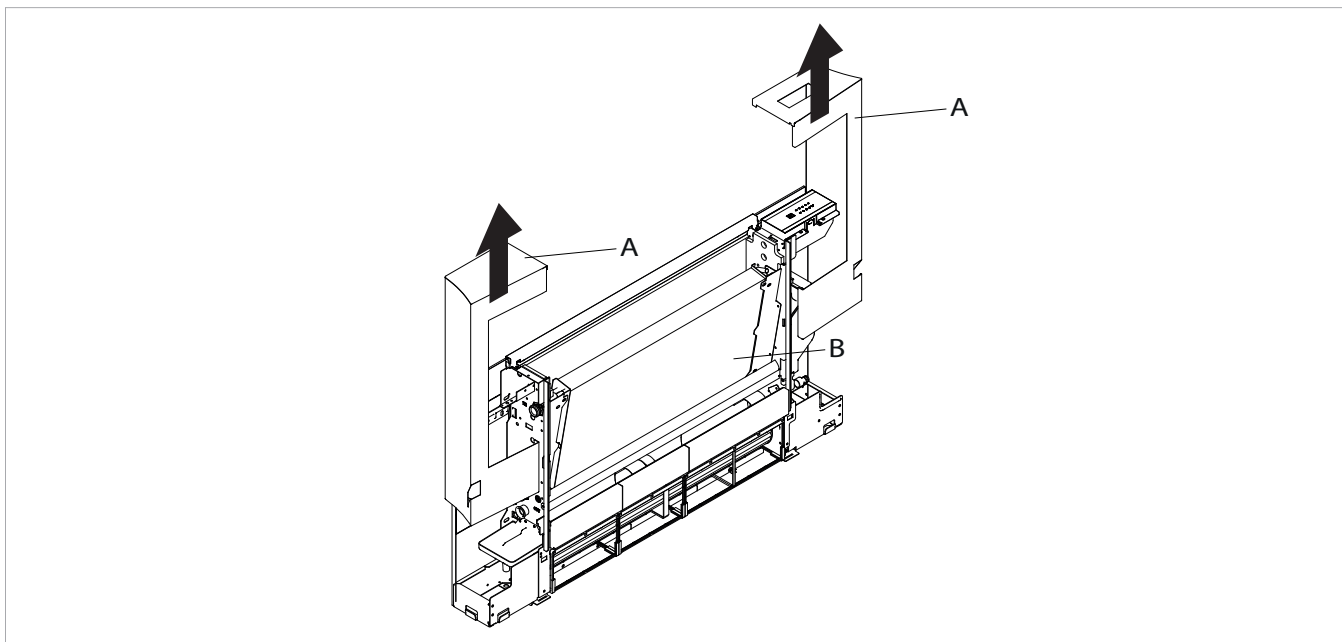
B	Panneau avant
----------	---------------



2.5 Retrait des panneaux latéraux

Pour enlever le côté:
- enlever les côtés vers le haut

A	Côté
B	Corps de la machine



2.6 Installation verticale

Utiliser le gabarit en papier et tracer sur le mur la position des deux étriers de fixation. Percer avec un foret approprié et insérer les chevilles (2 par étrier); fixer les deux étriers. Ne pas trop serrer les vis, de façon à pouvoir effectuer un réglage des étriers avec un niveau à bulle. Installer l'unité au niveau (avec une tolérance possible de 1 ÷ 2% vers le tuyau de drainage pour faciliter l'écoulement de l'eau).

Bloquer les deux étriers en serrant complètement les quatre vis.

En vérifier la stabilité en déplaçant manuellement les étriers vers la droite et vers la gauche, le haut et le bas.

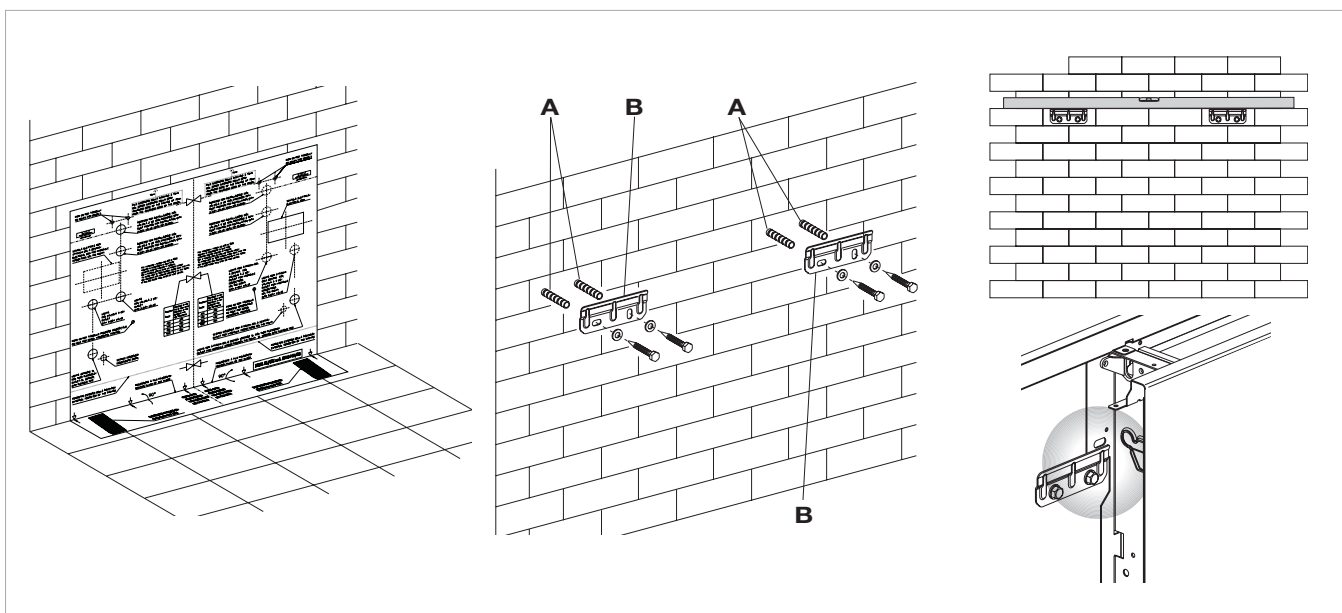
Monter l'unité, en vérifiant l'accrochage sur les étriers et sa stabilité.

N.B.: pour faciliter le raccordement des tuyaux aux raccords du ventilo-convecteur, installez un boîtier intégré à la sortie des tuyaux eux-mêmes.

La position correcte du boîtier est indiquée sur le gabarit d'installation.

A	Chevilles
----------	-----------

B	Étriers
----------	---------




2.7 Installation au plafond ou horizontale

Utiliser le gabarit en papier et tracer au plafond la position des deux étriers de fixation et des deux vis arrière. Percer avec un foret approprié et insérer les chevilles (2 par étrier); fixer les deux étriers. Ne pas trop serrer les vis. Mettre en place la machine sur les deux étriers, en la maintenant en position, puis fixer les deux vis dans les boulons à ailettes arrière, une par côté.

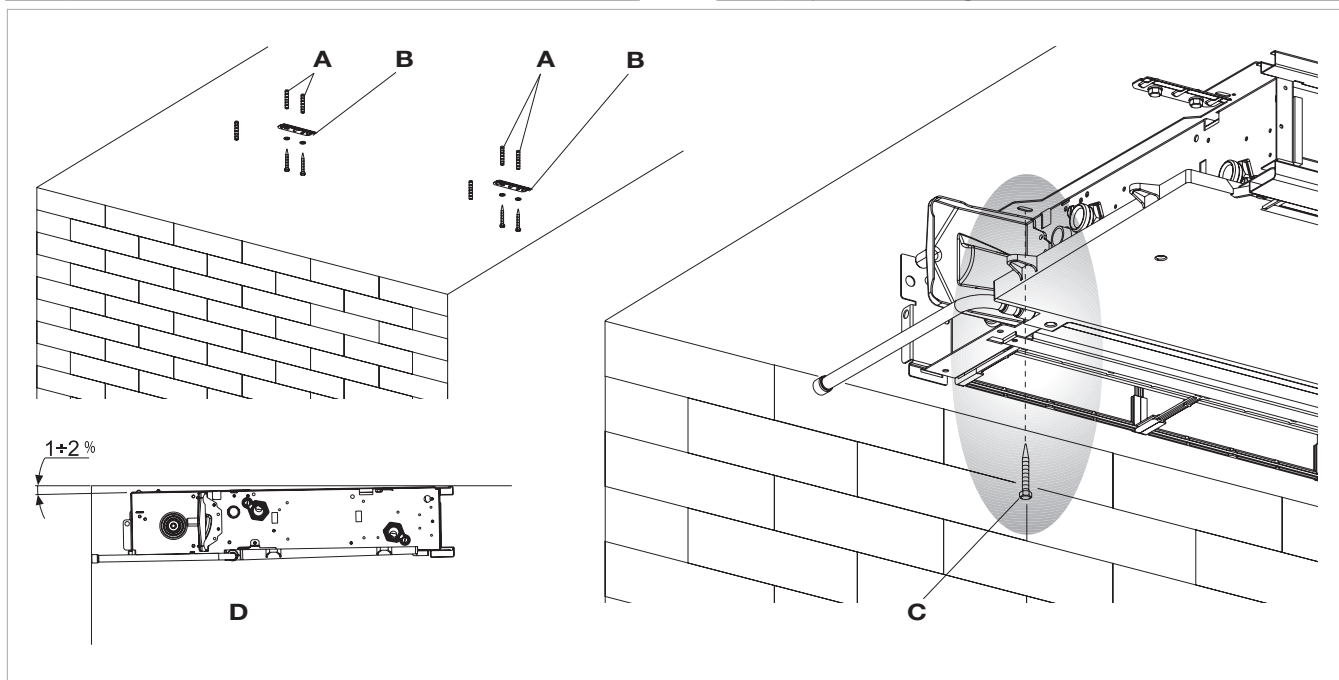
Installer l'unité au niveau (avec une tolérance possible de 1 ÷ 2% vers le tuyau de drainage pour faciliter l'écoulement de l'eau).

Pour l'installation de la série FWXV, des kits d'accessoires de bassin de collecte de condensation horizontaux sont disponibles en EKM (10/15/20) COH.

 Vérifiez soigneusement l'inclinaison du tuyau d'échappement. Toute contre pente de la ligne de décharge peut provoquer des fuites d'eau

A	Chevilles
B	Étriers

C	Vis
D	Tuyau de drainage



2.8

FWXV/FWXM	U.M.	10AATV3(R)	15AATV3(R)	20AATV3(R)
FWXV	U.M.	10ABTV3(R)	15ABTV3(R)	20ABTV3(R)
Diamètre des canalisations	mm	14	16	18

N.B.: le diamètre nominal, sauf indication contraire, fait toujours référence au diamètre interne.

Pour éviter la formation de condensation superficielle, il est toujours recommandé d'installer des kits d'électrovannes, sauf dans le cas où une commande électrique (par exemple une tête électrothermique) est prévue en amont de l'appareil. Le choix et le dimensionnement des lignes hydrauliques incombent à un expert, qui doit se conformer aux règles de la bonne technique et à la législation en vigueur, en tenant compte du fait que des tuyaux trop petits risquent de provoquer un dysfonctionnement.

Pour effectuer les branchements:

- mettre en place les lignes hydrauliques
- serrer les branchements en utilisant la méthode «clef contre clef»
- vérifier l'éventuelle perte de liquide
- revêtir les branchements avec du matériau isolant.

 Les lignes hydrauliques et les joints doivent être isolés thermiquement.

 Éviter les isolations partielles des tuyaux.

 Éviter de trop serrer pour ne pas abîmer l'isolation.

 Pour l'étanchéité des branchements filetés, utiliser du chanvre et de la pâte verte; l'utilisation de Téflon est conseillée en présence de liquide antigel dans le circuit hydraulique.

2.9 Évacuation des condensations

Le réseau d'évacuation des condensations doit être dimensionné de façon appropriée et le tuyau positionné de façon à conserver tout au long du parcours une pente donnée, jamais inférieure à 1%. Dans l'installation verticale, le tube de refoulement se branche directement au bac d'évacuation, placé en bas sur le montant latéral, sous les prises hydrauliques. Dans l'installation horizontale, le tuyau d'évacuation est branché au tuyau déjà présent sur la machine.

- Si possible, faire s'écouler les liquides de condensation directement dans une gouttière ou dans une évacuation d'«eaux blanches».
- En cas d'évacuation directe vers le tout à l'égout, il est conseillé de réaliser un siphon pour empêcher la remontée par le tuyau des mauvaises odeurs vers la pièce. La courbe du siphon doit être plus basse par rapport au bac de récupération de condensation.
- Si l'on doit évacuer la condensation à l'intérieur d'un récipient, celui-ci doit rester ouvert à l'atmosphère et le tuyau ne doit pas être plongé dans l'eau, de façon

à éviter des phénomènes d'adhérence et de contre-pression qui pourraient gêner l'écoulement normal.

- En cas de présence de dénivelé pouvant gêner l'écoulement de la condensation, il est nécessaire de monter une pompe:
- pour l'installation verticale, monter la pompe sous le bac de drainage latéral;
- pour l'installation horizontale, la position de la pompe doit être décidée en fonction des exigences spécifiques.

Ce type de pompes se trouvent facilement dans le commerce.

Il convient de toute façon, à l'issue de l'installation, de s'assurer du bon écoulement de la condensation, en versant lentement (environ 1/2 l d'eau en 5-10 minutes environ) dans le bac de récupération.

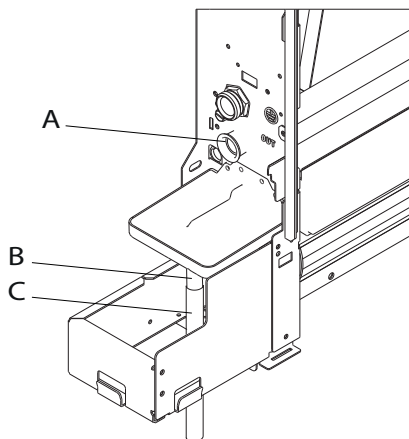
Montage du tube de refoulement de condensation dans la version verticale

Brancher au raccord d'évacuation du bac de récupération de condensation un tuyau pour l'écoulement du liquide en le bloquant de façon appropriée.

S'assurer que la rallonge pour récupération de gouttes est présente et correctement installée.

A	Raccord d'évacuation
B	Tuyau pour l'écoulement du liquide - Ø14 mm

C	Rallonge pour l'égouttement
----------	-----------------------------



Montage du tube de refoulement de condensation dans la version horizontale

Pour le montage du bac horizontal sur la série FWXM, reportez-vous aux consignes des kits EKM(10/15/20) COH.

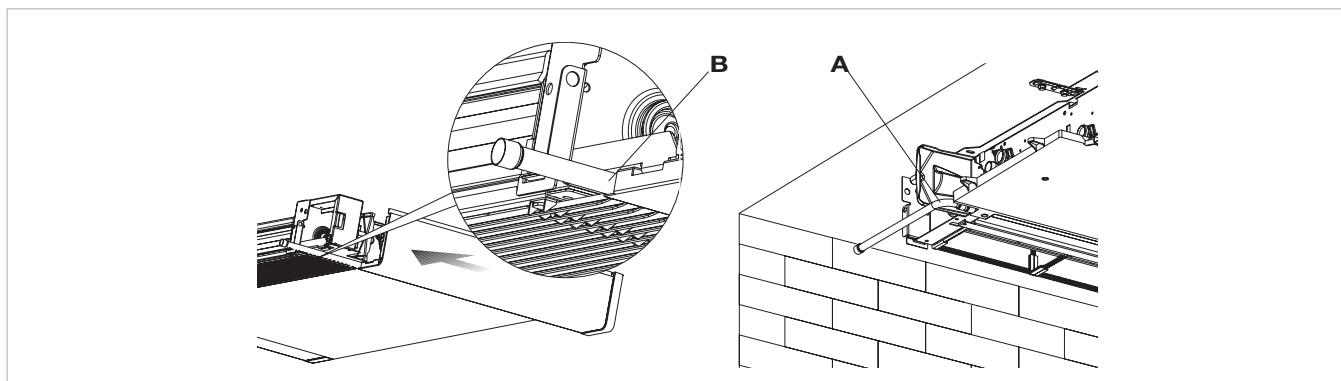
- vérifiez que le tuyau en «L» et le tuyau en caoutchouc souple sont raccordés correctement au bac.
- faites coulisser le côté de la machine en maintenant le tuyau en position contre la grille avant.
- fermez complètement le côté en vérifiant que le tuyau reste bloqué dans la rainure prévue à cet effet sur le côté.

N.B.: pour l'installation horizontale, respecter les consignes suivantes:

- s'assurer que la machine est installée parfaitement à niveau, ou avec une légère inclinaison dans le sens de l'écoulement de la condensation;
- bien isoler les tuyaux d'entrée et de sortie jusqu'à l'entrée de la machine, de façon à empêcher les égouttements de condensation à l'extérieur du même bac de récupération;
- isoler le tube de refoulement de condensation du bac sur toute sa longueur.

A Les conduites de raccordement - Ø14 mm

B Évacuation



2.10 Remplissage du système

Pendant le démarrage du système, s'assurer que le verrouillage de l'unité hydraulique est bien ouvert. En l'absence d'alimentation électrique, si la thermovanne

a déjà été alimentée précédemment, il est nécessaire d'utiliser le capuchon prévu à cet effet pour appuyer sur l'obturateur de la valve pour l'ouvrir.

2.11 Purge de l'air pendant le remplissage du système

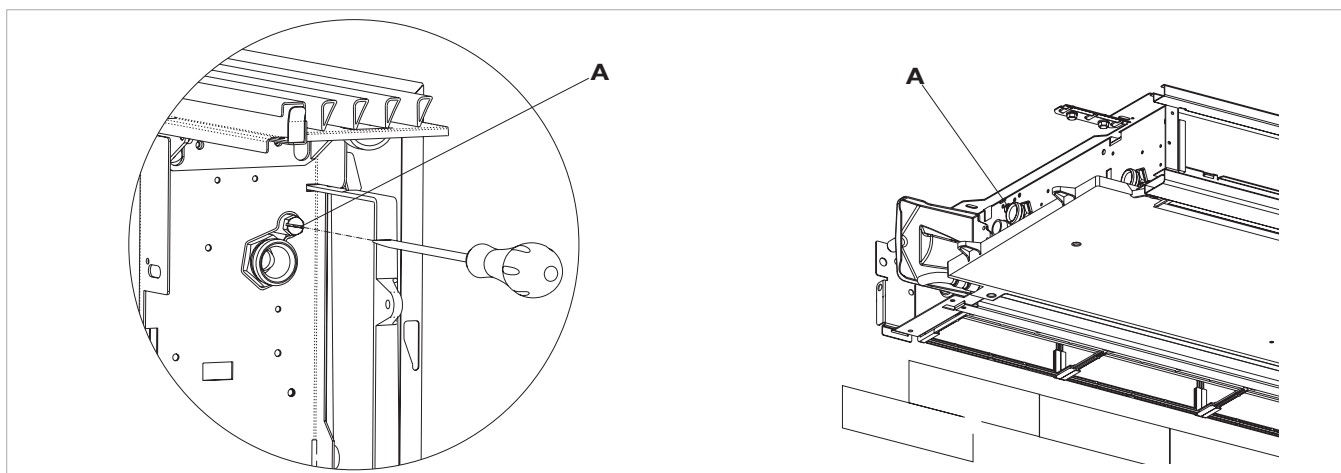
- Ouvrir toutes les vannes d'arrêt (manuelles ou automatiques);
- Commencer le remplissage en ouvrant lentement le robinet de remplissage en eau du système;
- Pour les unités installées en position verticale, agir (au moyen d'un tournevis) sur le reniflard de l'échangeur de chaleur situé le plus haut; pour les appareils installés en position horizontale, agir sur l'évent situé le plus haut;

- Quand il commence à sortir de l'eau des soupapes de reniflard de l'appareil, les fermer et continuer le chargement jusqu'à la valeur nominale prévue pour le système.

Contrôler l'étanchéité hydraulique des joints.

Il est conseillé de répéter ces opérations une fois que l'appareil a fonctionné pendant quelques heures, et de contrôler régulièrement la pression du système.

A Reniflard



2.12 Les branchements électriques

Effectuer les branchements électriques selon les exigences énoncées dans les chapitres Avertissements généraux et Réglés fondamentales de sécurité en se référant aux schémas présents dans les manuels d'installation et d'accessoires.

Avant d'effectuer tout travail, assurez-vous que l'alimentation électrique est coupée.


L'appareil doit être branché sur le secteur par le biais d'un interrupteur multipolaire avec ouverture des contacts minimale d'au moins 3 mm ou avec un dispositif qui permet la déconnexion complète du dispositif dans des conditions de surtension de catégorie III.

2.13 Entretien

L'entretien périodique est indispensable pour maintenir le convecteur de pompe à chaleur en parfait état de fonctionnement, sûr et fiable dans la durée. Il peut être effectué selon une périodicité semestrielle, pour certaines

interventions, et annuelle pour d'autres, par le Service technique d'assistance, qui est techniquement habilité et préparé, et utilise toujours des pièces de rechange originales.

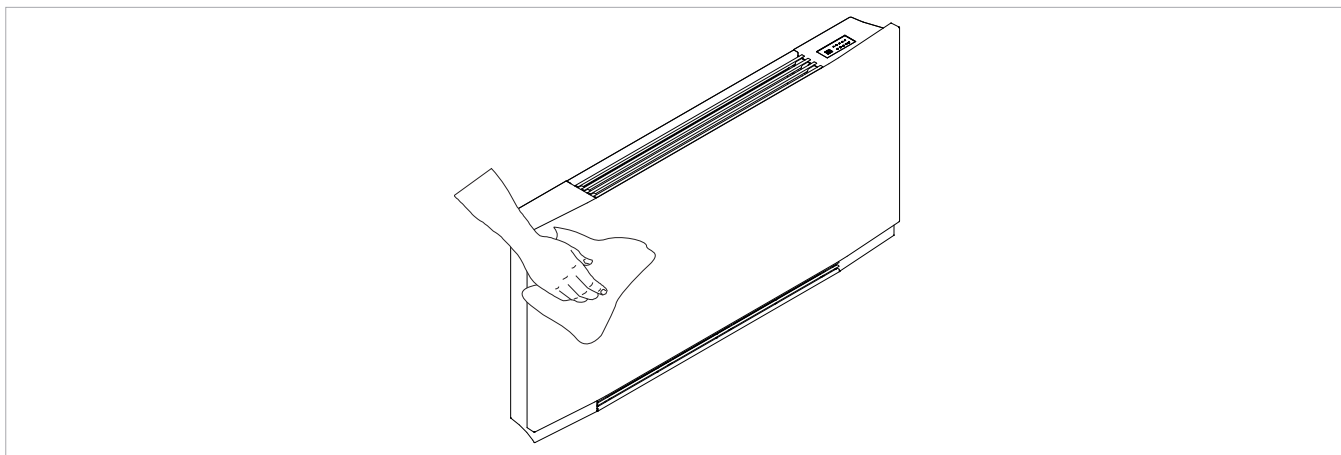
2.14 Nettoyage externe

 Avant toute intervention de nettoyage et d'entretien, débrancher l'appareil du secteur en mettant hors tension à l'aide de l'interrupteur principal.

 Attendre le refroidissement des composants pour éviter tout danger de brûlure.

 Ne pas utiliser d'éponges abrasives ou de détergents abrasifs ou corrosifs pour éviter d'abîmer les surfaces peintes.

Quand cela est nécessaire, nettoyer les surfaces externes du convecteur de pompe à chaleur au moyen d'un chiffon doux et humecté d'eau.



2.15 Nettoyage du filtre d'aspiration d'air

Après une période de fonctionnement continu et en considération de la concentration d'impuretés dans l'air,

ou bien quand on souhaite redémarrer l'unité après une période d'inactivité, procéder de la façon suivante.

Enlèvement des cellules filtrantes

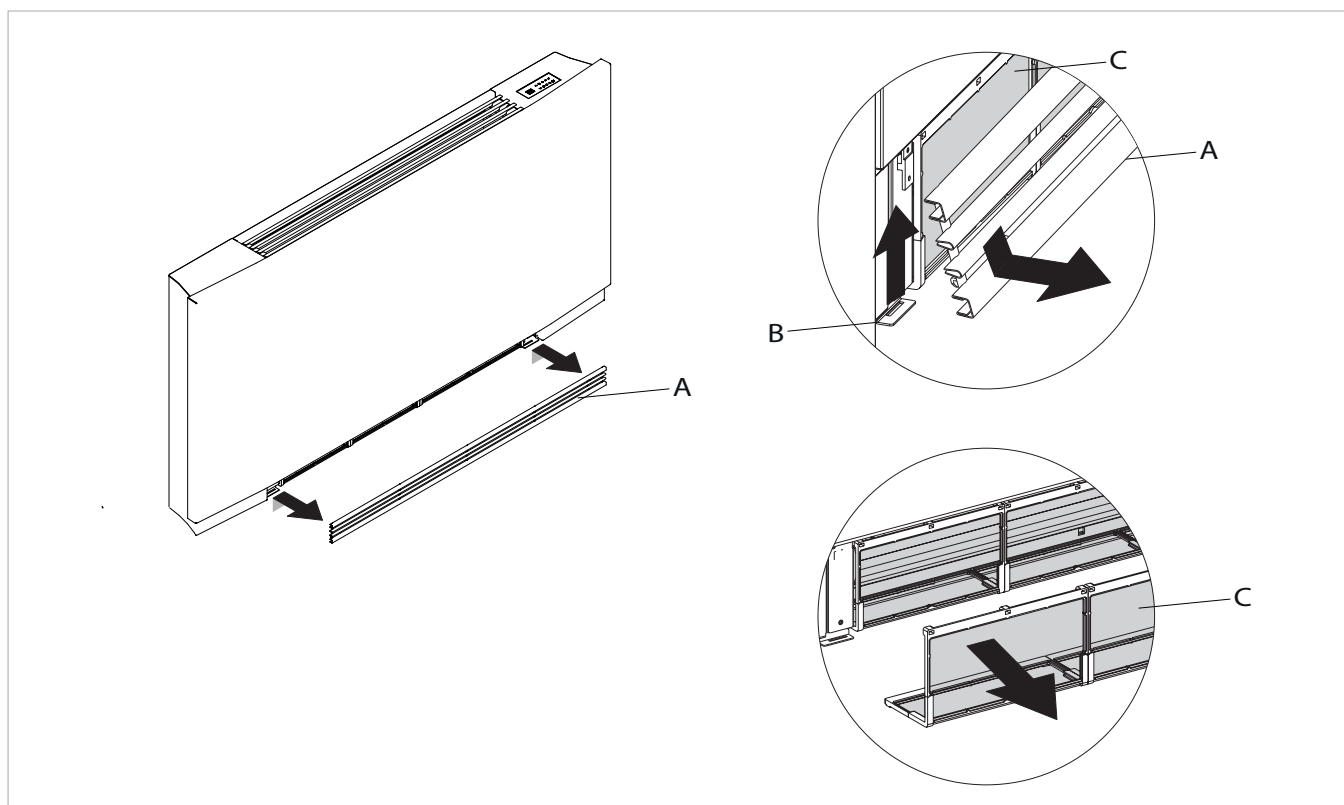
Pour enlever la grille:

- soulevez la grille jusqu'à ce qu'elle soit complètement libérée de son logement

- inclinez la grille et faites-la coulisser vers l'extérieur
- puis retirez le filtre en le tirant vers l'extérieur


A	Grille avant
B	Crochet de la grille

C	Filtre
----------	--------



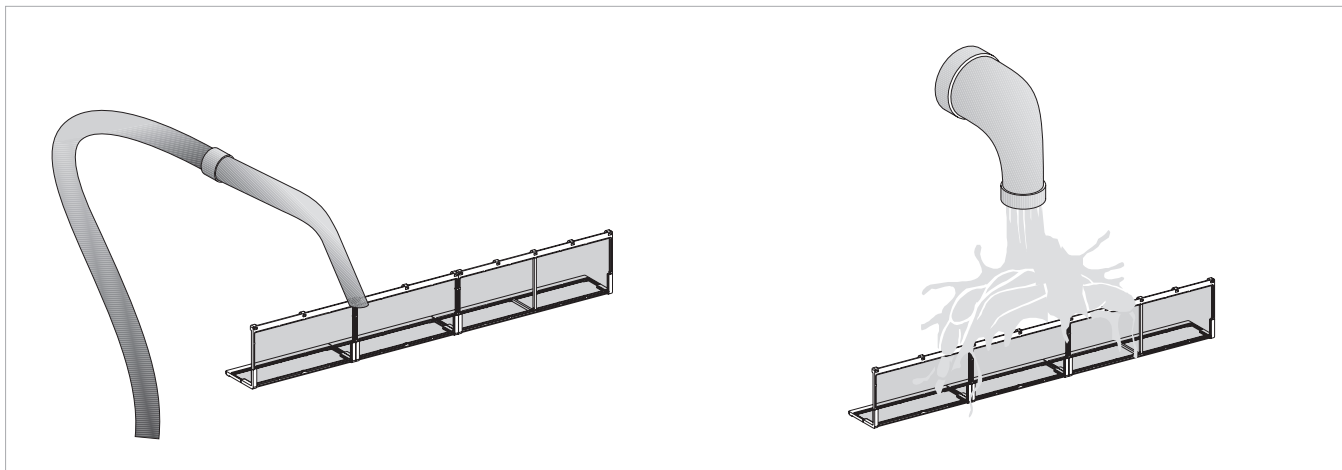
Nettoyage des logements à filtres

- aspirer la poussière avec un aspirateur
- laver le filtre à l'eau courante, sans utiliser de détergents ou de solvants, et laisser sécher.

 L'appareil est doté d'un interrupteur de sécurité qui empêche le fonctionnement du ventilateur en l'absence du panneau mobile ou si celui-ci n'est pas bien mis en place.

 Il est interdit d'utiliser l'unité sans les filtres à treillis.

 A l'issue des opérations de nettoyage, vérifier le montage correct du panneau.



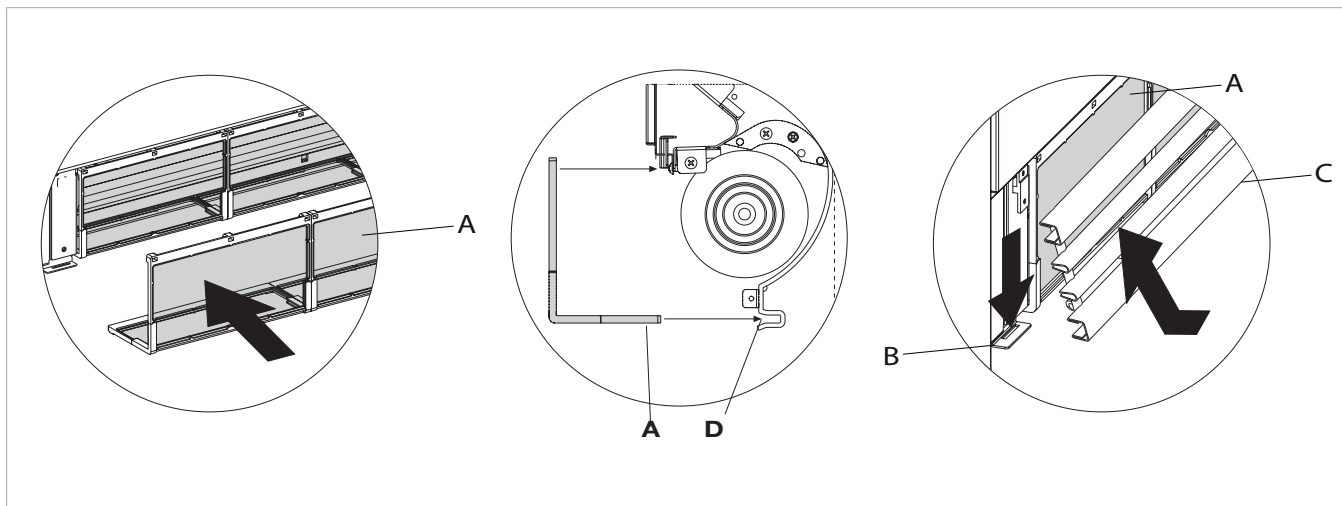
Fin des opérations de nettoyage

- Pour les versions à grille à ailettes, insérer les deux languettes dans les fentes prévues à cet effet, faire

tourner et accrocher avec un léger coup dans la partie supérieure.

A	Filtre
B	Crochet de la grille

C	Grille avant
D	Le boîtier de filtre





FR

2.16 Conseils pour les économies d'énergie

- Garder les filtres propres en permanence;
- dans la mesure du possible, laisser fermées les portes et les fenêtres des pièces à climatiser;
- dans la mesure du possible, limiter l'effet du rayonnement direct des rayons solaires dans les pièces à climatiser (utiliser des rideaux, stores etc.).

DÉPANNAGE

3.1 Dépannage

-  En cas de fuites d'eau ou de fonctionnement anormal, couper immédiatement l'alimentation électrique et fermer les robinets d'eau.
-  Si l'on constate l'une des anomalies suivantes, contacter un centre d'assistance agréé ou une personne qualifiée agréée, mais ne pas intervenir personnellement.
- La ventilation ne s'active pas même si de l'eau chaude ou froide est présente dans le circuit hydraulique.
 - L'appareil perd de l'eau en fonction chauffage.
 - L'appareil perd de l'eau uniquement dans la fonction de refroidissement.
 - L'appareil émet un bruit excessif.
 - Des formations de rosée sont présentes sur le panneau avant.

3.2 Tableau des anomalies et des solutions

Les interventions doivent être effectuées par un installateur qualifié ou par un centre d'assistance spécialisé.

Effet	Cause	Solution
La ventilation s'active en retard par rapport aux nouveaux réglages de température ou de fonction.	La vanne du circuit nécessite un certain temps pour s'ouvrir et donc pour faire circuler l'eau chaude ou froide dans l'appareil.	Attendre 2 ou 3 minutes pour ouvrir la vanne du circuit.
L'appareil n'active pas la ventilation.	Il manque de l'eau chaude ou froide dans le système.	S'assurer que la chaudière ou le refroidisseur d'eau fonctionnent correctement.
La ventilation ne s'active pas même si de l'eau chaude ou froide est présente dans le circuit hydraulique.	La vanne hydraulique reste fermée.	Démonter le corps de la vanne et s'assurer que la circulation de l'eau est rétablie. Contrôler le rendement de fonctionnement de la vanne en l'alimentant séparément à 230 V. Si elle devait s'activer, le problème pourrait être dans la commande électronique.
	Le moteur du ventilateur est bloqué ou brûlé.	Vérifier les enroulements du moteur et la libre rotation du ventilateur.
	Le micro-interrupteur qui arrête la ventilation à l'ouverture de la grille filtre ne se ferme pas correctement.	S'assurer que la fermeture de la grille détermine l'activation du contact du micro-interrupteur.
	Les branchements électriques ne sont pas corrects.	Vérifier les branchements électriques.
L'appareil perd de l'eau en fonction chauffage.	Fuites dans les branchements hydrauliques du système.	Contrôler la fuite et serrer à fond les branchements.
	Fuites dans l'unité de vannes.	Vérifier l'état des joints.
Des formations de rosée sont présentes sur le panneau avant.	Isolation thermique détachée.	Contrôler le positionnement correct de l'isolation thermo-acoustique, notamment l'isolant avant, au-dessus de l'échangeur de chaleur à ailettes.
Quelques gouttes d'eau sont présentes sur la grille de sortie d'air.	Dans des situations d'humidité élevée (>60%), il peut se produire de la condensation, notamment aux petites vitesses de ventilation.	Dès que l'humidité commence à baisser, le phénomène disparaît. En tout état de cause, la présence de quelques gouttes d'eau dans l'appareil n'indique pas un dysfonctionnement.

Effet	Cause	Solution
L'appareil perd de l'eau uniquement dans la fonction de refroidissement.	Le bac de condensation est obstrué.	Verser lentement une bouteille d'eau dans la partie basse de la batterie pour vérifier le drainage; si besoin est, nettoyer le bac et/ou améliorer la pente du tuyau de drainage.
	L'évacuation de la condensation ne nécessite pas de pente pour un drainage correct.	
	Les tuyaux de branchement et l'unité de vannes ne sont pas bien isolés.	Vérifiez l'isolation des tuyaux.
L'appareil émet un bruit étrange.	Le ventilateur touche la structure.	Vérifiez l'encrassement des filtres et nettoyez-les si nécessaire
	Le ventilateur est déséquilibré.	Le déséquilibre entraîne des vibrations excessives de la machine; remplacez le ventilateur.
	Vérifiez l'encrassement des filtres et nettoyez-les si nécessaire	Nettoyez les filtres

3.3 Données techniques

FWXV	u.m.	10AATV3(R)	15AATV3(R)	20AATV3(R)
		10ABTV3(R)	15ABTV3(R)	20ABTV3(R)

PERFORMANCES DE REFROIDISSEMENT (W 7/12 °C ; A 27 °C)

Capacité de refroidissement totale	(1)	kW	1,62	2,64	2,99
Capacité de refroidissement sensible	(1)	kW	1,25	1,91	2,33
Capacité de refroidissement latente	(1)	kW	0,37	0,73	0,66
Débit d'eau	(1)	L/h	365	483	568
Chute de pression	(1)	kPa	11,0	23,0	22,0

PERFORMANCES THERMIQUES (W 45/40 °C ; A 20 °C)

Capacité de chauffage	(2)	kW	1,96	2,86	3,50
Débit d'eau	(2)	L/h	380	519	655
Chute de pression	(2)	kPa	11,0	23,0	22,0

DONNÉES HYDRAULIQUES

Teneur en eau de la bobine		L	0,80	1,13	1,46
Pression de fonctionnement maximale		bar	10	10	10
Connexions hydrauliques		" EK	3/4		
Température maximale de l'eau à l'entrée		°C	80	80	80
Température minimale de l'eau à l'entrée		°C	4	4	4

DONNÉES AÉRAULIQUES

Débit d'air à la vitesse maximale du ventilateur	(3)	m³/h	294	438	567
Débit d'air à vitesse moyenne du ventilateur		m³/h	210	318	410
Débit d'air à la vitesse minimale du ventilateur		m³/h	118	180	247
Pression statique disponible		Pa	10	13	13

DONNÉES ÉLECTRIQUES

Alimentation électrique		V/ph/Hz	230-1-50		
Absorption de la puissance électrique à la vitesse maximale		W	19,0	25,0	31,0
Courant maximum absorbé		A	0,16	0,18	0,26
Absorption de la puissance électrique à la vitesse minimale		W	4,0	6,0	5,0

DONNÉES SONORES

Niveau de puissance sonore maximal		dB(A)	56	57	58
Niveau de pression acoustique au débit d'air maximal	(4)	dB(A)	47	48	49
Niveau de pression sonore à un débit d'air moyen	(4)	dB(A)	38	39	40
Niveau de pression acoustique au débit d'air minimum	(4)	dB(A)	31	33	34

Poids		kg	20	23	26
-------	--	----	----	----	----

(1) Température de l'eau 7/12°C, température de l'air 27°C BS et 19°C BU, EN 1397

(2) Température de l'eau 45/40°C, Température de l'air 20°C BS et 15°C BU, EN 1397

(3) Débit d'air mesuré avec des filtres propres

(4) Pression sonore mesurée à une distance de 1 mètre selon ISO7779

FWXM	u.m.	10AATV3(R)	15AATV3(R)	20AATV3(R)
------	------	------------	------------	------------

PERFORMANCES DE REFOUDDISSEMENT (W 7/12 °C ; A 27 °C)

Capacité de refroidissement totale	(1)	kW	2,12	2,81	3,30
Capacité de refroidissement sensible	(1)	kW	1,72	2,11	2,71
Capacité de refroidissement latente	(1)	kW	0,40	0,70	0,59
Débit d'eau	(1)	L/h	365	483	568
Chute de pression	(1)	kPa	8,2	17,1	18,0

PERFORMANCES THERMIQUES (W 45/40 °C ; A 20 °C)

Capacité de chauffage	(2)	kW	2,21	3,02	3,81
Débit d'eau	(2)	L/h	380	519	655
Chute de pression	(2)	kPa	9,2	19,1	21,2

DONNÉES HYDRAULIQUES

Teneur en eau de la bobine		L	0,80	1,13	1,46
Pression de fonctionnement maximale		bar	10	10	10
Connexions hydrauliques		" EK	3/4		
Température maximale de l'eau à l'entrée		°C	80	80	80
Température minimale de l'eau à l'entrée		°C	4	4	4

DONNÉES AÉRAULIQUES

Débit d'air à la vitesse maximale du ventilateur	(3)	m³/h	294	438	567
Débit d'air à vitesse moyenne du ventilateur		m³/h	210	318	410
Débit d'air à la vitesse minimale du ventilateur		m³/h	118	180	247
Pression statique disponible		Pa	10	13	13

DONNÉES ÉLECTRIQUES

Alimentation électrique		V/ph/Hz	230-1-50		
Absorption de la puissance électrique à la vitesse maximale		W	19,0	20,0	29,0
Courant maximum absorbé		A	0,16	0,18	0,26
Absorption de la puissance électrique à la vitesse minimale		W	4,0	6,0	5,0

DONNÉES SONORES

Niveau de puissance sonore maximal		dB(A)	53	54	55
Niveau de pression acoustique au débit d'air maximal	(4)	dB(A)	42	44	46
Niveau de pression sonore à un débit d'air moyen	(4)	dB(A)	34	34	35
Niveau de pression acoustique au débit d'air minimum	(4)	dB(A)	25	26	26

Poids		kg	12	15	18
-------	--	----	----	----	----

(1) Température de l'eau 7/12°C, température de l'air 27°C BS et 19°C BU, EN 1397

(2) Température de l'eau 45/40°C, Température de l'air 20°C BS et 15°C BU, EN 1397

(3) Débit d'air mesuré avec des filtres propres

(4) Pression sonore mesurée à une distance de 1 mètre selon ISO7779

DAIKIN EUROPE N.V.

Zandvoordestraat 300, B-8400 Oostende, Belgium

Copyright 2019 Daikin

cod. N420249A - 04



INSTALLATIEHANDLEIDING

Daikin Altherma Warmtepompconvector

FWXV10ABTV3(R)
FWXV15ABTV3(R)
FWXV20ABTV3(R)
FWXV10AATV3(R)
FWXV15AATV3(R)
FWXV20AATV3(R)
FWXM10AATV3(R)
FWXM15AATV3(R)
FWXM20AATV3(R)

We willen u eerst en vooral bedanken om voor een van onze producten te kiezen.

We zijn ervan overtuigd dat u er tevreden mee zal zijn, want het behoort tot de top in airconditioningstechnologie voor huizen.

Door de adviezen in deze handleiding op te volgen, zal de water-water warmtepomp dat u hebt gekocht probleemloos werken en u optimale kamertemperaturen aan minimale energiekosten bieden.

DAIKIN EUROPE N.V.

Conformiteit

Deze unit voldoet aan de Europese richtlijnen:

- Laagspanningsrichtlijn 2014/35/EU
- Elektromagnetische compatibiliteit 2014/30/EU.

Pictogrammen

De pictogrammen in het volgende hoofdstuk bieden op een snelle en ondubbelzinnige manier de nodige informatie

voor een correct en veilig gebruik van de machine.

Redactionele pictogrammen

- U** Gebruiker
- Verwijst naar pagina's die instructies of informatie voor de gebruiker bevatten.
- I** Installateur
- Verwijst naar pagina's die instructies of informatie voor de installateur bevatten

- S** Service
- Verwijst naar pagina's die instructies of informatie voor de installateur van de TECHNISCHE KLANTENDIENST bevatten.

Veiligheidspictogrammen

- ⚠** Algemeen gevaar
- Waarschuwt personeel dat de beschreven handleiding fysiek letsel kan veroorzaken indien niet uitgevoerd volgens de veiligheidsvoorschriften.
- ⚠** Hoogspanningsgevaar
- Waarschuwt personeel dat de beschreven handleiding tot elektrocutie kan leiden indien niet uitgevoerd volgens de veiligheidsvoorschriften.

- ⚠** Gevaar door hitte
- Waarschuwt personeel dat de beschreven handleiding brandwonden kan veroorzaken indien niet uitgevoerd volgens de veiligheidsvoorschriften.
- ⊘** Verboden
- Verwijst naar handelingen die absoluut niet mogen uitgevoerd worden.

Algemeen

1.1	Algemene waarschuwingen	4
1.2	Fundamentele veiligheidsvoorschriften	4
1.3	Productassortiment	5
1.4	Globale afmetingen	6

Installatie

2.1	Plaatsen van de unit	7
2.2	Installatiemethodes	7
2.3	Toegang tot de machine lichaam	7
2.4	Zij-opening	8
2.5	Retrait des flancs	9
2.6	Verticale installatie	9
2.7	Horizontale of plafondinstallatie	10
2.8	Hydraulische verbindingen	10
2.9	Condensatieafvoer	11
2.10	Het systeem vullen	12
2.11	Ontluchten tijdens het vullen van het systeem	12
2.12	Elektrische aansluitingen	13
2.13	Onderhoud	13
2.14	De buitenkant reinigen	13
2.15	Luchtfilter reinigen	14
2.16	Tips om energie te besparen	15

Probleemoplossing

3.1	Probleemoplossing	16
3.2	Tabel van abnormaliteiten en oplossingen	16
3.3	Technische gegevens	18

ALGEMEEN

1.1 Algemene waarschuwingen

- ⚠ Controleer bij het uitpakken of alle onderdelen aanwezig zijn. Zo niet, neem dan contact op met uw installateur van uw erkende DAIKIN-verdeler.
- ⚠ DAIKIN-toestellen moeten worden geïnstalleerd door een bevoegde installateur. Na voltooiing van de werkzaamheden zal de installateur een conformiteitsverklaring met betrekking tot de geldende wetgeving overhandigen aan de klant samen met de aanwijzingen van DAIKIN in de instructiebrochure die bij het toestel wordt geleverd.
- ⚠ Deze toestellen zijn ontworpen voor airconditioning en/of verwarming van ruimtes en mogen alleen daarvoor en in overeenstemming met hun prestatiekenmerken worden gebruikt.
DAIKIN EUROPE N.V. aanvaardt geen aansprakelijkheid, contractueel noch buitencontractueel, voor eventuele schade aan personen, dieren of eigendom als gevolg van een onjuiste installatie, aanpassing of onderhoud of oneigenlijk gebruik.
- ⚠ Zet in geval van een waterlek de hoofdschakelaar van het systeem "UIT" en sluit de waterkranen.
Bel zo snel mogelijk de technische serviceafdeling van DAIKIN of professioneel gekwalificeerd personeel en voer zelf geen interventies uit aan het toestel.
- ⚠ De ingebedde FWXM-serie heeft geen rooster of afdekplaat. Zorg voor beveiligingen en luchtinlaat/-uitlaatroosters om accidenteel contact met het toestel te voorkomen.
- ⚠ Als het toestel gedurende langere tijd niet wordt gebruikt, moeten de volgende handelingen worden uitgevoerd:
 - Schakel de hoofdschakelaar van het systeem "UIT"
 - Sluit de waterkranen
- Als er bevroeringsgevaar is, zorg dan dat er antivriesmiddel is toegevoegd aan het systeem of tap het systeem volledig af.
- ⚠ Als de kamertemperatuur te laag of te hoog is, is dat schadelijk voor de gezondheid en ook nutteloos energieverlies.
Vermijd langdurig contact met de directe luchtstroom.
- ⚠ Laat de kamer niet voor langere tijd afgesloten. Open af en toe de ramen om de lucht in de kamer te verversen.
- ⚠ Deze instructiebrochure maakt integraal deel uit van het toestel en moet dus goed en ALTIJD bij het toestel worden bijgehouden, zelfs wanneer het wordt overdragen aan een nieuwe eigenaar of gebruiker of in een ander systeem wordt geïntegreerd. Als de brochure verloren of beschadigd is geraakt, neem dan contact op met uw lokaal technisch servicecentrum van DAIKIN.
- ⚠ Alle reparatie- of onderhoudsinterventies moeten worden uitgevoerd door de technische serviceafdeling of door professioneel gekwalificeerd personeel zoals voorzien in deze brochure. Wijzig niets aan het toestel of voer er geen interventies op uit aangezien dat gevaarlijke situaties kan veroorzaken en de fabrikant niet verantwoordelijk kan worden gesteld voor eventuele schade.
- ⚠ Gevaar voor brandwonden - wees voorzichtig bij aanraken

1.2 Fundamentele veiligheidsvoorschriften

- ⊖ Denk eraan dat bepaalde fundamentele veiligheidsvoorschriften moeten worden gevolgd bij gebruik van een product dat gebruik maakt van elektriciteit en water, zoals:
 - ⊖ Het apparaat kan worden gebruikt door kinderen ouder dan 8 jaar en door mensen met verminderde fysieke, sensorische of mentale capaciteiten, of zonder ervaring of noodzakelijke kennis, zolang ze worden gecontroleerd of nadat ze instructies hebben ontvangen over het veilige gebruik van de eenheid en hebben de gevaren begrepen.
Kinderen mogen niet met het apparaat spelen. Het reinigen en het onderhoud dat door de gebruiker moet worden uitgevoerd, mag niet zonder toezicht door kinderen worden uitgevoerd.
 - ⊖ Het is verboden om het toestel aan te raken met natte handen of een nat lichaam zonder schoenen te dragen.
 - ⊖ Het is verboden om reinigingswerkzaamheden uit te voeren voordat het toestel is losgekoppeld van de netvoeding door de hoofdschakelaar van het systeem "UIT" te schakelen.
 - ⊖ Het is verboden om de beveiligings- of afstellingsapparatuur te wijzigen of aan te passen zonder toestemming en aanwijzingen van de fabrikant.
 - ⊖ Het is verboden om de elektrische kabels die uit het toestel komen te knippen, in een knoop te leggen of eraan te trekken, zelfs als deze losgekoppeld zijn van

de netvoeding.

- ⊖ Het is verboden om tegen voorwerpen of andere zaken te duwen door de inlaat- of uitlaatroosters.
- ⊖ Het is verboden om de deuren die toegang geven tot de interne onderdelen van het toestel te openen zonder eerst de hoofdschakelaar van het systeem "UIT" te schakelen.

- ⊖ Het is verboden om het verpakkingsmateriaal dat risico's met zich kan meebrengen, te verwijderen of binnen het bereik van kinderen achter te laten.
- ⊖ Het is verboden om op het toestel te klimmen of er een voorwerp op te laten rusten.
- ⊖ De externe onderdelen van het toestel kunnen meer dan 70°C warm worden.

1.3 Productassortiment

Er zijn 2 types DAIKIN warmtepompconvectoren, FWXV en FWXM, telkens leverbaar in 3 modellen met verschillende prestatiekenmerken en afmetingen.

FWXV-serie

koeler-convectoren met metalen omkasting.

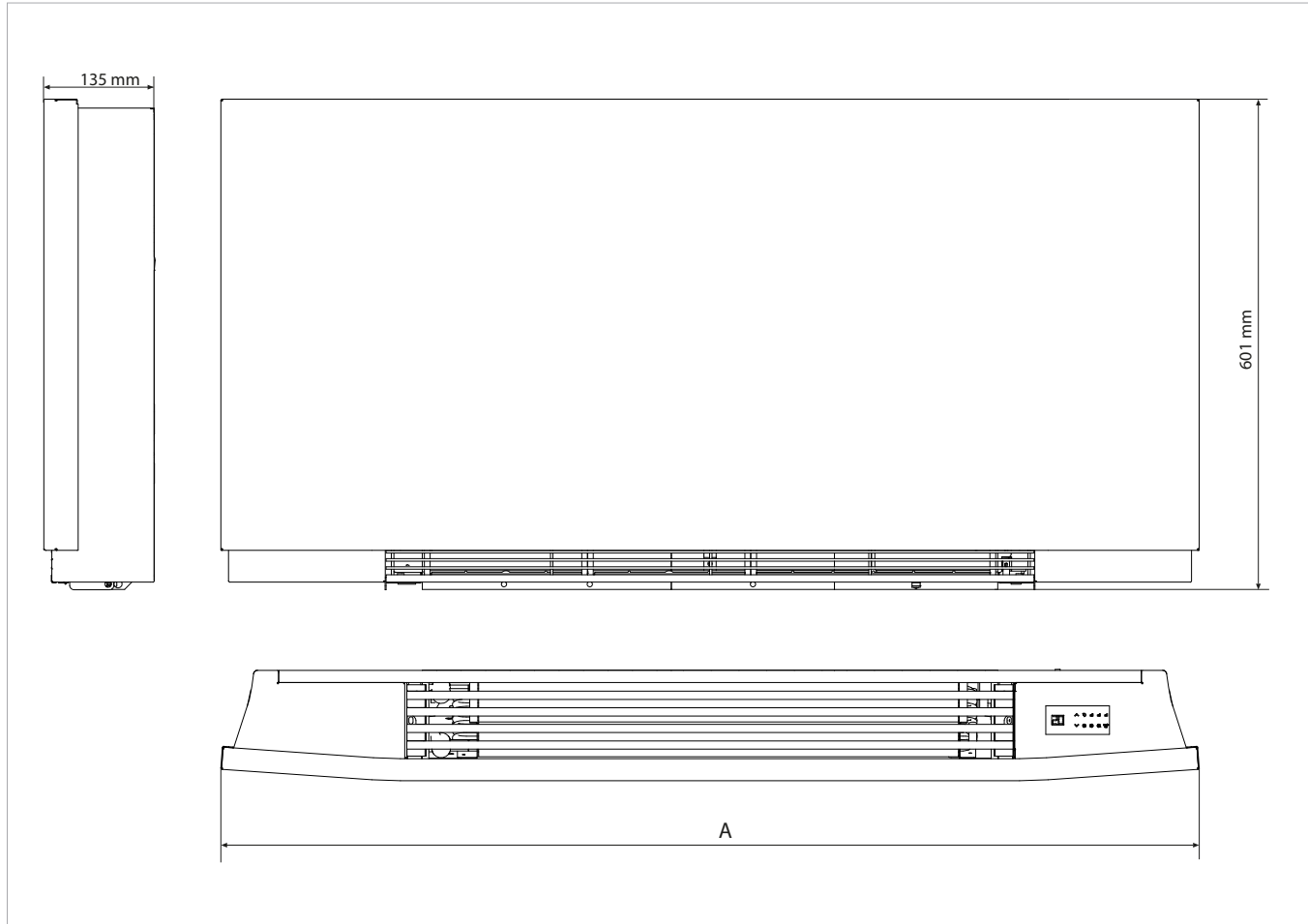
FWXM-serie

Ingebedde koeler-convectoren zonder panelen.

1.4 Globale afmetingen warmtepompconvector

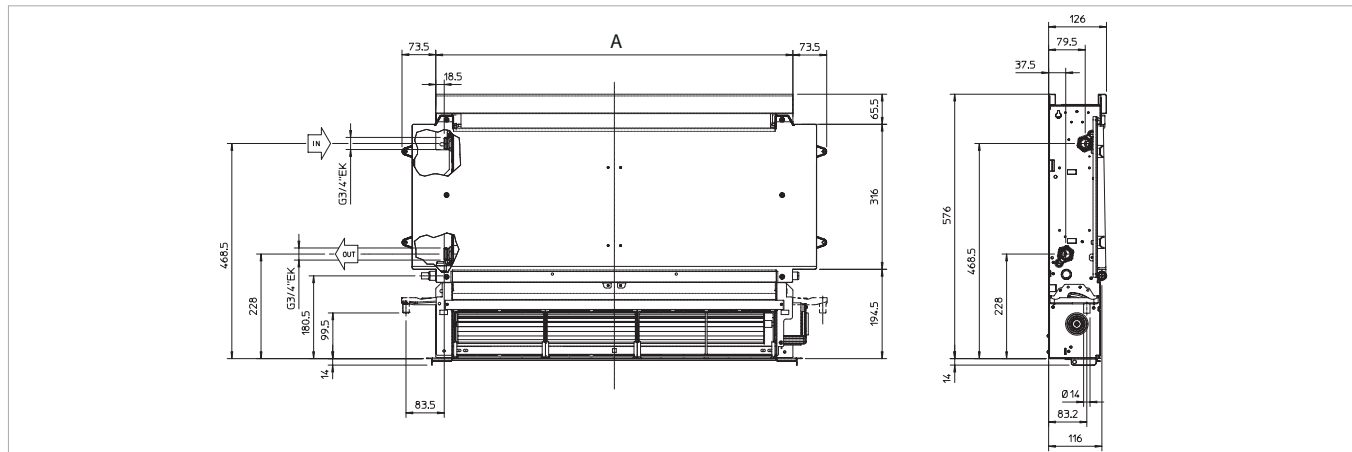
	U.M.	FWXV10AATV3(R)	FWXV15AATV3(R)	FWXV20AATV3(R)
		FWXV10ABTV3(R)	FWXV15ABTV3(R)	FWXV20ABTV3(R)
Afmetingen				
A	mm	999	1199	1399

FWXV



	U.M.	FWXM10AATV3(R)	FWXM15AATV3(R)	FWXM20AATV3(R)
Afmetingen				
A	mm	578	778	978

FWXM



INSTALLATIE

2.1 Plaatsen van de unit

- ⚠ Vermijd installatie van de unit in de buurt van:
- plaatsen blootgesteld aan direct zonlicht;
 - warmtebronnen;
 - vochtige zones of plaatsen met kans op contact met water;
 - plaatsen met oliedampen;
 - plaatsen met hoge frequenties.

- ⚠ Zorg dat:
- de wand waartegen de unit wordt gemonteerd sterk genoeg is om het gewicht te dragen;

- er geen leidingen of elektrische draden door het betreffende deel van de wand lopen;
- de betreffende wand volledig vlak is;
- er een zone is die vrij is van obstakels die de inlaat- en uitlaatluchtstroom kunnen belemmeren;
- de montagewand bij voorkeur een buitenmuur is om condensatie naar buiten te kunnen afvoeren;
- in geval van plafondinstallatie (FWXM-serie) de luchtstroom niet naar mensen gericht is.

2.2 Installatiemethodes

De volgende beschrijvingen van de verschillende montagefasen en de betreffende ontwerpen hebben betrekking op een versie van de machine met bevestigingen aan de linkerkant.

De handelingen voor de montage van machines met bevestigingen aan de rechterkant (R) zijn precies dezelfde. Alleen moet beelden moeten als spiegelbeeld worden bekeken.

Om ervoor te zorgen dat de installatie correct wordt uitgevoerd en het toestel perfect werkt, moet u de instructies in deze handleiding zorgvuldig opvolgen. Als u dat niet doet, kan dat storingen aan het toestel veroorzaken maar ook de garantie ongeldig maken, waardoor DAIKIN EUROPE N.V. niet aansprakelijk zal zijn bij eventuele schade aan personen, dieren of eigendom.

2.3 Minimale vrije ruimten bij installatie

De afbeelding toont de minimale installatieruimten tussen de wandgemonteerde koeler-convector en meubels in de kamer.



2.4 Toegang tot de machine lichaam

Volg de onderstaande procedures om toegang te krijgen tot de binnenkant van de machine.

Verwijder het bovenste rooster:

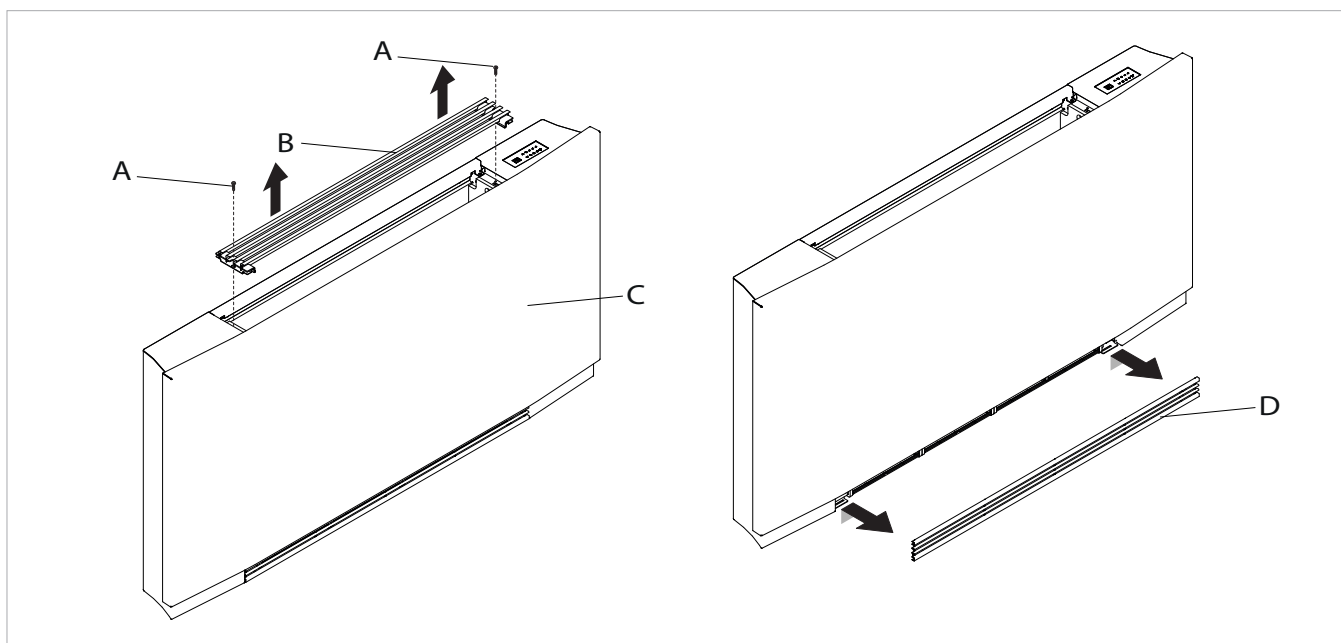
- draai de bevestigingsschroeven los
- draai de bevestigingsschroeven van de bovenste grill los
- verwijder de grill

Verwijder de voorgrill:

- haal de grill eruit totdat deze helemaal uit de stoel is
- kantel de grill
- naar buiten glijden

A	Bevestigingsschroeven
B	Bovengrill

C	Voorpaneel
D	Voorrooster

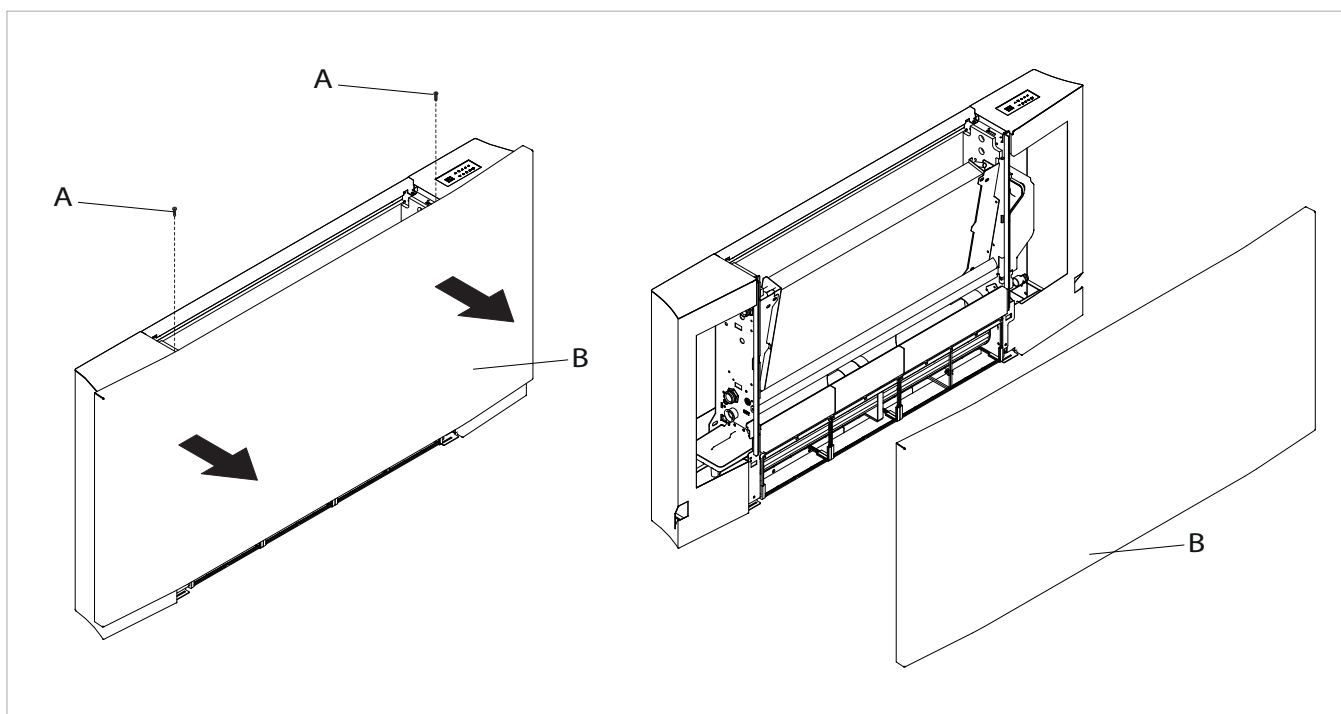


Verwijder het voorpaneel:

- draai de bevestigingsschroeven los
- verwijder het paneel

A	Bevestigingsschroeven
----------	-----------------------

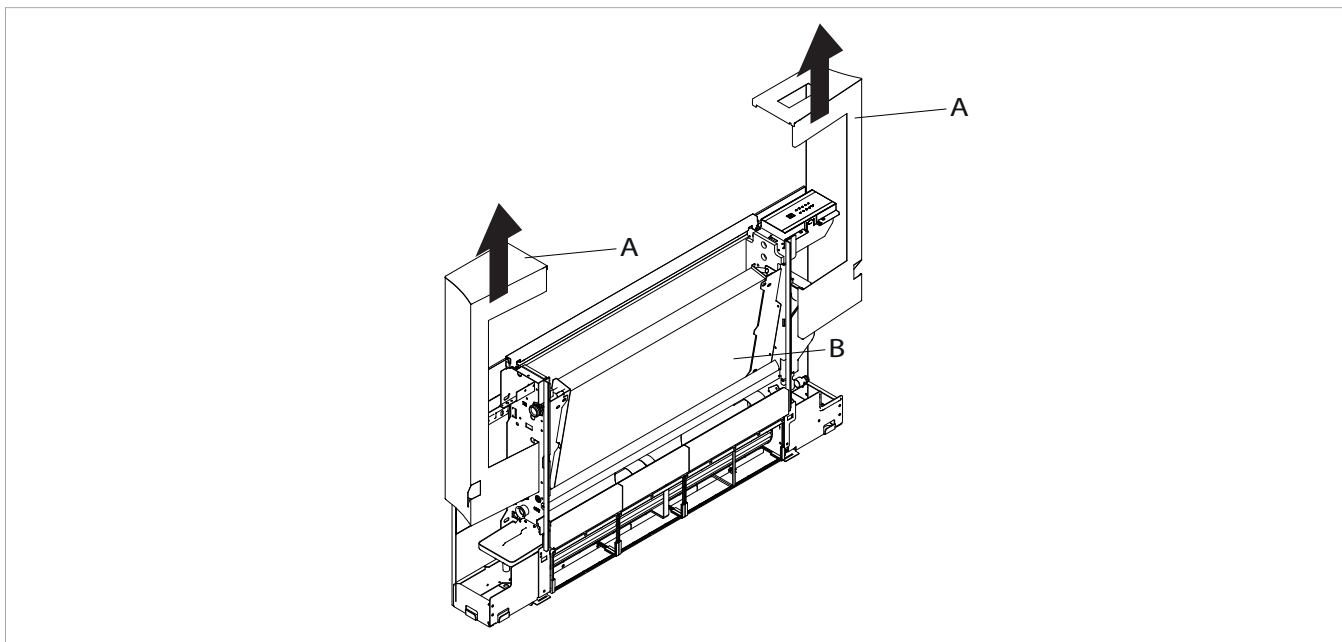
B	Voorpaneel
----------	------------



2.5 Zij-opening

Om de zijkant te verwijderen:
- verwijder de zijkanten naar boven

A	Kant
B	Machine lichaam



2.6 Verticale vloer- of wandinstallatie

Markeer met behulp van het papieren sjabloon de positie van de twee bevestigingsbeugels op de wand. Gebruik een geschikte boor om gaten te boren en plaats de hollewandankers (2 voor elke beugel); bevestig de twee beugels. Draai de schroeven niet te hard aan zodat de beugels kunnen worden afgesteld met een waterpas.

Installeer de unit op niveau (met een mogelijke tolerantie van 1 ÷ 2% in de richting van de afvoerpijp om de waterstroom te vergemakkelijken).

Draai de vier schroeven volledig aan om de twee beugels vast te zetten.

Controleer de stabiliteit door de beugels met de hand naar rechts en links en omhoog en omlaag te bewegen.

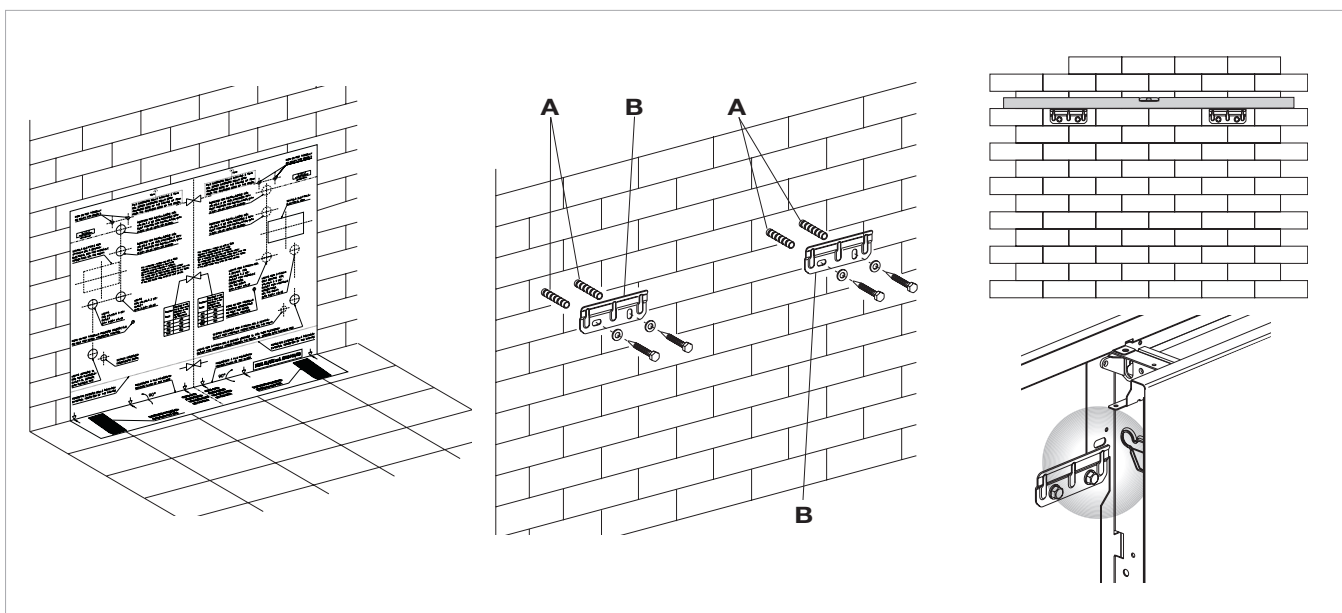
Monteer de unit en controleer of deze correct op de beugels hangt en of hij stabiel is.

Opmerking: om de aansluiting van de leidingen op de fancoil-aansluitingen te vergemakkelijken, installeert u een inbouwdoos aan de uitlaat van de leidingen zelf.

De juiste positie van het vak wordt aangegeven op de installatiesjabloon.

A	Hollewandankers
----------	-----------------

B	Beugels
----------	---------



NL

2.7 Horizontale of plafondinstallatie

Markeer met behulp van het papieren sjabloon de positie van de twee bevestigingsbeugels en de twee achterste schroeven op het plafond. Boor met een geschikte boormachine de gaten en plaats de hollewandankers (2 voor elke beugel); bevestig de twee beugels. Draai de schroeven niet te hard aan. Plaats de machine op de twee beugels, houd ze in positie en draai vervolgens de twee schroeven in de achterste hollewandankers, één aan elke kant.

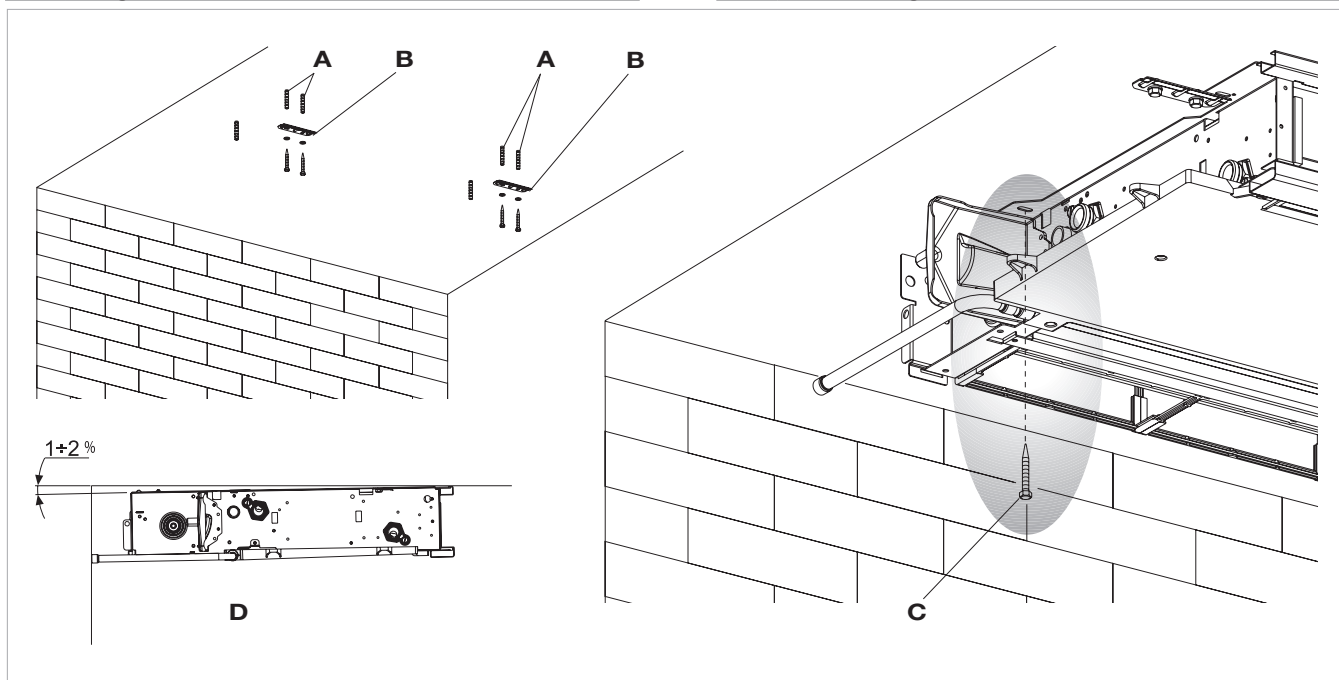
Installeer de unit op niveau (met een mogelijke tolerantie van 1 ÷ 2% in de richting van de afvoerpijp om de waterstroom te vergemakkelijken).

Draai alle 6 bevestigingsschroeven volledig aan. Voor installatie van de FWXV-serie zijn accessoirekits met horizontale condensatieopvangbak verkrijgbaar EKM(10/15/20)COH.

⚠ Controleer zorgvuldig de hellingshoek van de uitlaatleiding. Als de afvoerleiding de verkeerde hellingshoek heeft, kan dat waterlekage veroorzaken

A	hollewandankers
B	beugels

C	schroeven
D	afvoerleiding



2.8

FWXV/FWXM	U.M.	10AATV3(R)	15AATV3(R)	20AATV3(R)
FWXV	U.M.	10ABTV3(R)	15ABTV3(R)	20ABTV3(R)
Leidingdiameter	mm	14	16	18

NB: de nominale diameter, tenzij anders aangegeven, heeft altijd betrekking op de binnendiameter.

Om de vorming van oppervlaktecondensatie te voorkomen, wordt het altijd aangeraden om elektrische kleppensets te installeren, behalve in het geval waar een elektrische bediening (bijv. Een elektrothermische kop) stroomopwaarts van het apparaat is aangebracht.

De afmetingen van de hydraulische leidingen moeten worden gekozen door een expert die moet werken volgens beste praktijken en conform de geldende wetgeving. Daarbij moet hij er rekening mee houden dat te kleine leidingen een storing kunnen veroorzaken.

Om de verbindingen te maken:

- plaats de hydraulische leidingen
- span de verbindingen aan met de "moersleutel en tegenmoersleutel"-methode

- controleer alles op vloeistoflekage
- bedek de verbindingen met isolatiemateriaal.

De hydraulische leidingen en verbindingen moeten thermisch geïsoleerd worden.

Zorg dat de leidingen volledig geïsoleerd zijn.

Span niet te hard aan om te voorkomen dat de isolatie beschadigd raakt.

Gebruik hennep en groene pasta om de draadverbindingen af te dichten. Het gebruik van Teflon wordt geadviseerd wanneer er antivriesmiddel in het hydraulisch circuit zit.

2.9 Condensatieafvoer

Het condensatieafvoernetwerk moet de juiste afmetingen hebben (minimale binnendiameter van de leidingen: 16 mm) en de leidingen moeten zo worden gepositioneerd dat er een constante hellingshoek is die nooit minder dan 1% bedraagt. Bij een verticale installatie is de afvoerleiding rechtstreeks aangesloten op de afvoerbak, die zich onderaan het zijstuk onder de hydraulische bevestigingen. Bij een horizontale installatie is de afvoerleiding verbonden met de reeds aanwezige leiding op de machine.

- Zorg indien mogelijk dat de condensatievloeistof direct in een goot of "regenwater"-afvoer stroomt.
- Bij rechtstreekse afvoer naar de hoofdafvoerleiding, is het aan te raden om een sifon te plaatsen om te voorkomen dat vieze geurtjes via de leiding terug in de kamer terechtkomen. De bocht van de sifon moet kleiner zijn dan de condensatieopvangbak.
- Als het condensatiewater moet worden afgevoerd naar een bak, moet deze open zijn en mag de buis niet in water ondergedompeld zijn om te vermijden dat adhesie en tegendruk de normale uitstroom

verhinderen.

- Als er een hoogteverschil is dat de uitstroom van condensatiewater kan verhinderen, moet er een pomp worden geïnstalleerd.
 - plaats bij een verticale installatie de pomp onder de laterale afvoerbak;
 - bij een horizontale installatie is de keuze van de pomppositie afhankelijk van de specifieke vereisten.
- Dergelijke pompen zijn gemakkelijk in de handel verkrijgbaar.

Bij voltooiing van de installatie is het aan te raden om de correcte uitstroom van de condensatievloeistof te controleren door ongeveer ½ l water traag in de opvangbak te gieten in ongeveer 5-10 minuten.

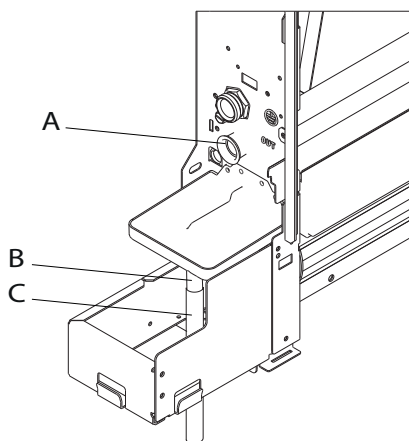
De afvoerleiding voor condensatiewater monteren in de verticale versie

Bevestig een leiding op het afvoerverbindingsstuk van de condensatieopvangbak voor de uitstroom van de vloeistof en zorg dat deze goed vastzit. Controleer of

het druppelopvangverlengstuk aanwezig en correct geïnstalleerd is.

A	afvoerverbindingsbuis
B	voor de uitstroom van het

C	druppelopvangverlengstuk
----------	--------------------------



NL

De afvoerleiding voor condensatiewater monteren in de horizontale versie

Raadpleeg de instructies van de EKM(10/15/20)COH kits om de horizontale bak te monteren op de FWXM-serie.

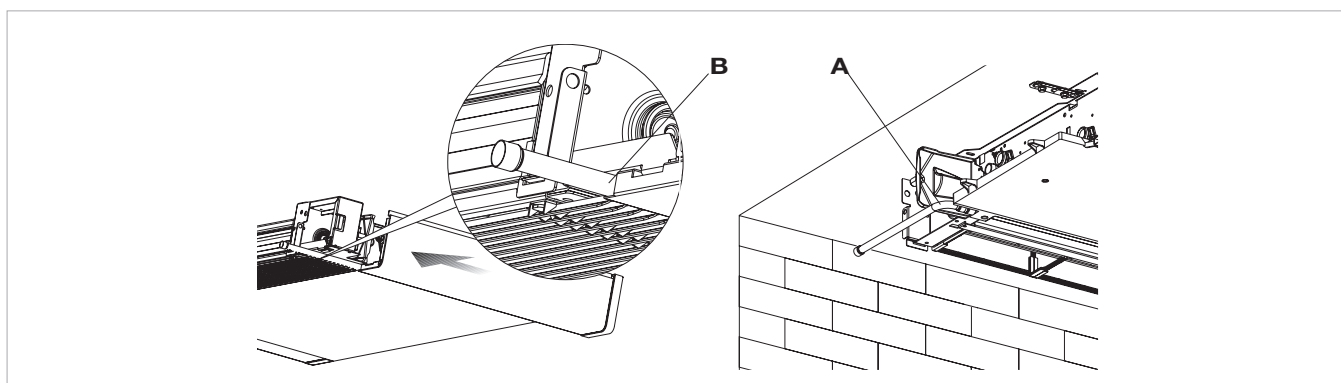
- controleer of de "L"-leiding en de flexibele rubberslang correct zijn aangesloten op de bak.
- schuif de zijkant van de machine in terwijl u de leiding op zijn plaats houdt tegen het frontrooster.
- sluit de zijkant volledig en controleer of de leiding vast blijft zitten in de speciale uitsparing op de zijkant.

N.B. houd voor de horizontale installatie rekening met de volgende voorzorgsmaatregelen:

- zorg dat de machine perfect waterpas is geïnstalleerd of licht afhellend in de richting van de condensatieafvoer;
- isoleer zorgvuldig de in- en uitstroomleidingen tot aan het verbindingstuk op de machine om te voorkomen dat condensatiedruppels buiten de opvangbak terechtkomen;
- isoleer de afvoerleiding van de opvangbak over zijn gehele lengte.

A Aansluitleidingen

B Diefstal



2.10 Het systeem vullen

Zorg bij het opstarten van het systeem dat de vergrendelplaat van de hydraulische unit geopend is. Als er geen elektrische voeding is en de thermoklep reeds is

geactiveerd, gebruik dan de speciale dop om de aanslag in te drukken om de klep te openen.

2.11 Ontluchten tijdens het vullen van het systeem

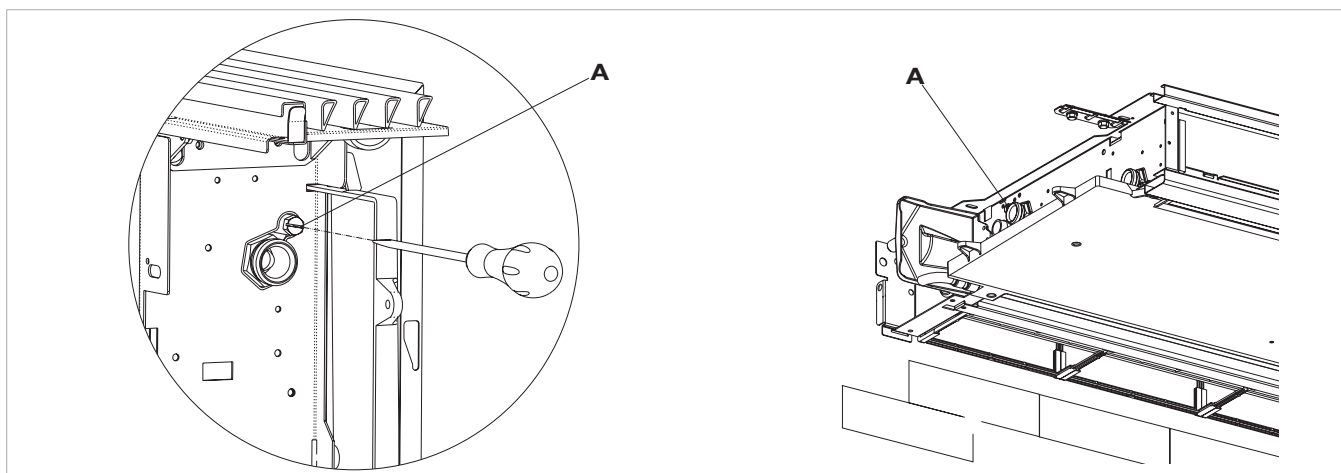
- Open alle systeemonderscheppingstoestellen (handmatige of automatische);
- Begin met vullen door de watervulkraan van het systeem langzaam te openen;
- Open bij verticaal geplaatste toestellen het hoogste ontluchtingspunt van de batterij met een schroevendraaier; open bij horizontaal geplaatste toestellen het hoogste ontluchtingspunt.

- Wanneer er water uit de ontluchtingskleppen van het toestel komt, sluit deze dan en blijf vullen tot het nominale niveau voor het systeem is bereikt.

Controleer de hydraulische afdichting van de pakkingen.

Het wordt aanbevolen om deze handelingen te herhalen nadat het toestel een paar uur heeft gewerkt en de systeemdruk periodiek te controleren.

A Ontluchting van de batterij



2.12 Elektrische aansluitingen

Voer elektrische aansluitingen uit volgens de vereisten in de hoofdstukken Algemene waarschuwingen en Fundamentele veiligheidsvoorschriften en aan de hand van de patronen in de installatie- en accessoirehandleidingen. Zorg dat de voeding is uitgeschakeld voordat u werkzaamheden uitvoert.

De unit moet worden aangesloten op de netvoeding via een meerpolige schakelaar met een minimale contactopening van minstens 3 mm of met een apparaat waarmee het toestel volledig kan worden losgekoppeld overeenkomstig de overspanningscondities categorie III.

2.13 Onderhoud

Routineonderhoud is onontbeerlijk om de DAIKIN koeler-convectoren door de jaren heen in perfecte bedrijfstoestand en veilig en betrouwbaar te houden. Dit kan om de zes maanden worden uitgevoerd voor bepaalde

interventies en jaarlijks voor andere, door de technische ondersteuningsdienst, met de nodige technische bevoegdheid en paraatheid en altijd met gebruik van originele reserveonderdelen.

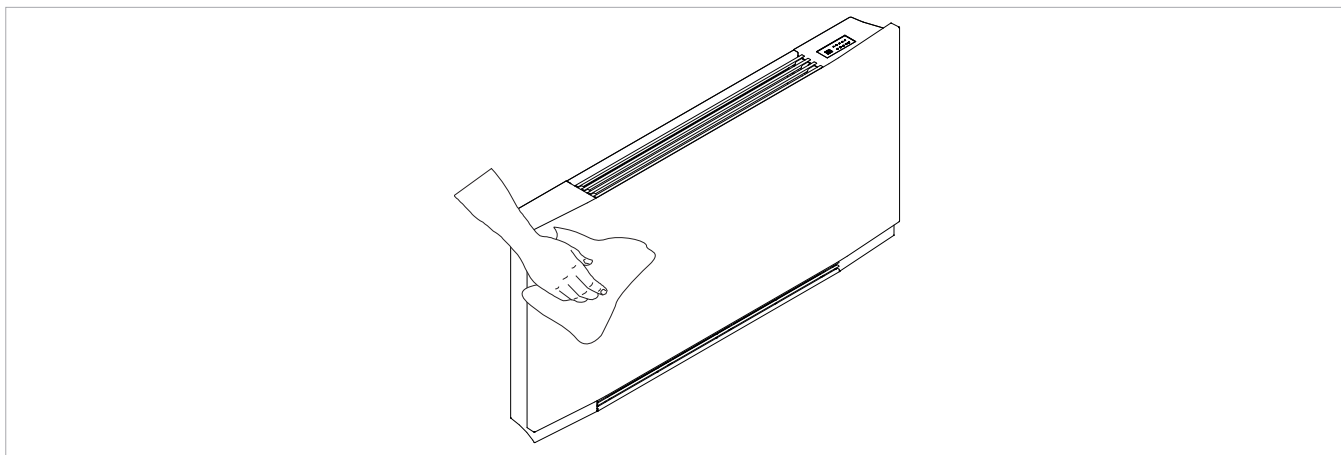
2.14 De buitenkant reinigen

⚠ Voor elke reinigings- en onderhoudsinterventie moet u het toestel loskoppelen van de netvoeding door de hoofdschakelaar uit te zetten.

⚠ Wacht tot de onderdelen zijn afgekoeld om brandwonden te voorkomen.

⚠ Gebruik geen schuursponsjes of schuurmiddelen aangezien deze de geleverde onderdelen kunnen beschadigen.

Reinig indien nodig de buitenste oppervlakken van de DAIKIN koeler-convectoren met een zachte vochtige doek.



2.15 Luchtfilter reinigen

Na een periode van continu gebruik en in functie van de concentratie verontreinigingen in de lucht, of wanneer u

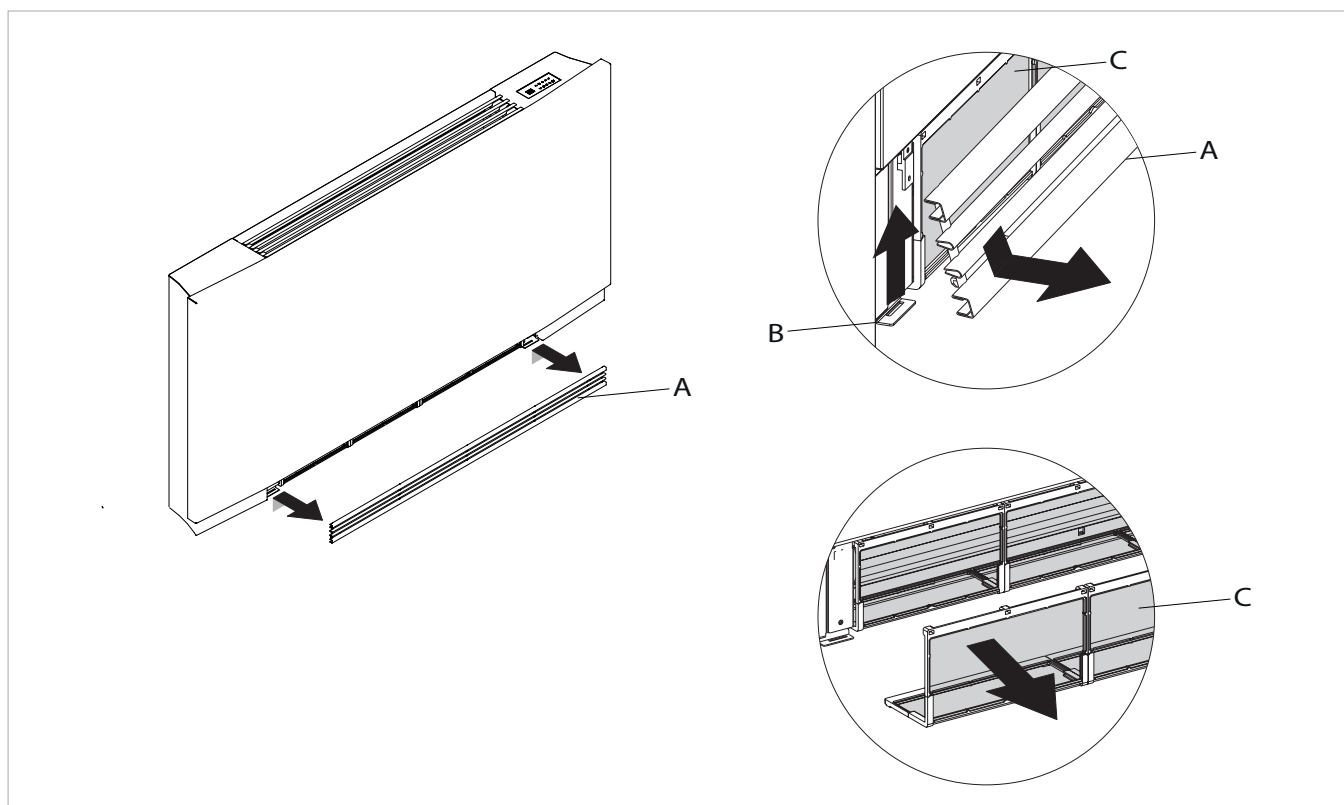
het toestel opnieuw wilt opstarten na een periode van inactiviteit, gaat u als volgt te werk.

Verwijder de filtercellen in de versies met aanzuigrooster met kleppen

- verwijder het frontrooster door het een beetje op te tillen en te draaien tot het uit de zitting komt;
- verwijder de filter en trek deze horizontaal naar buiten.

A	Frontrooster
B	Zie rooster

C	Filter
----------	--------



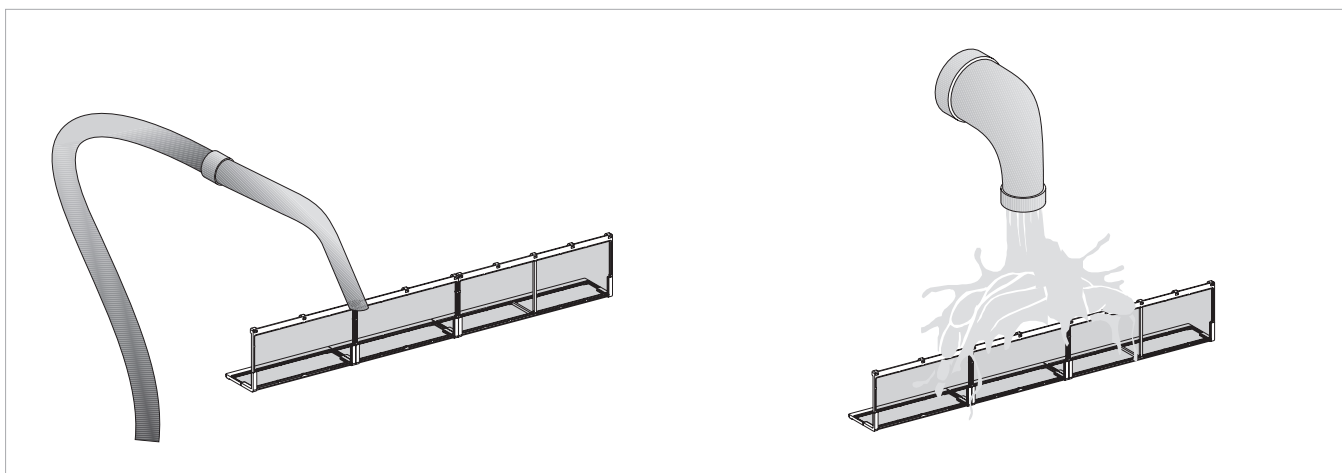
Filterzittingen reinigen

- zuig het stof op met een stofzuiger
- was de filter met lopend water zonder gebruik van detergents of oplosmiddelen en laat de filter drogen.

⊖ Het is verboden om de unit te gebruiken zonder de netfilters.

⚠ Het toestel is uitgerust met een veiligheidsschakelaar die de werking van de koeler verhindert wanneer het mobiele paneel ontbreekt of niet goed zit.

⚠ Controleer na de reiniging van de filter of het paneel correct is gemonteerd.



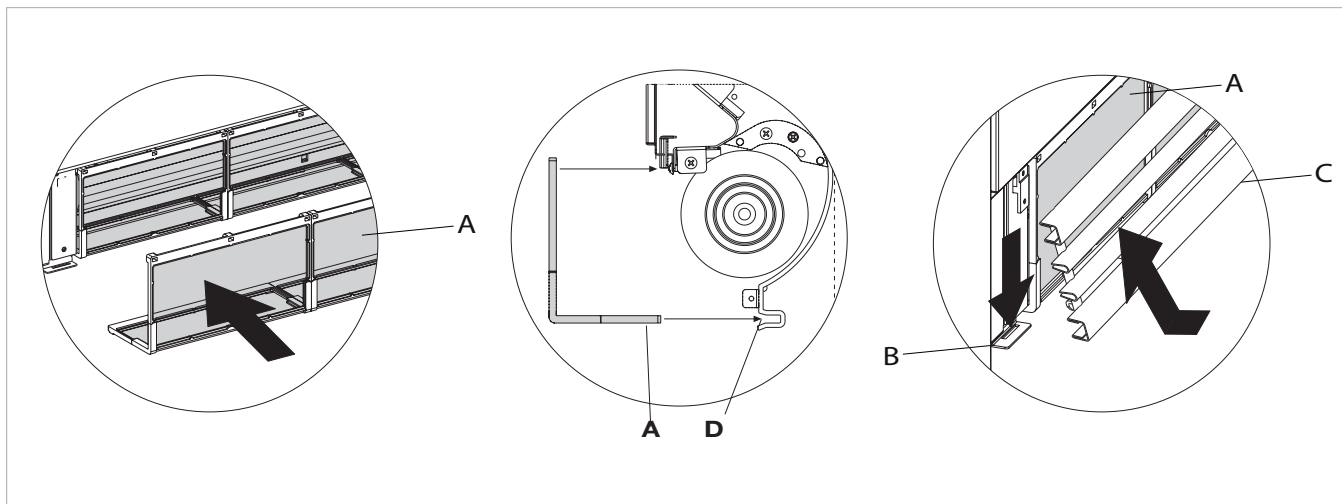
Reinigingswerkzaamheden voltooien

- Plaats voor de versies met een rooster met kleppen de twee ogen in de speciale sleuven, draai het rooster

en haak het vast met een kleine tik op het bovenste gedeelte.

A	Filter
B	Haak

C	Frontrooster
D	Filter zitting



2.16 Tips om energie te besparen

- Houd altijd de filter schoon;
- houd de deuren en ramen in de kamer met airconditioning zo veel mogelijk gesloten;
- beperk waar mogelijk het effect van direct zonlicht in de kamers met airconditioning (gebruik gordijnen, jaloezieën, enz.)

PROBLEEMOPLOSSING

3.1 Probleemoplossing

⚠ In geval van waterlekken of een abnormale werking, moet u de voeding onmiddellijk afsluiten en de waterkranen dichtdraaien.

⚠ Als er zich een van de volgende abnormaliteiten voordoet, neem dan contact op met een erkend servicecentrum of een bevoegd en gekwalificeerd technicus, maar voer zelf geen interventies uit.

- De ventilatie start niet, zelfs als er warm of koud water in het hydraulisch circuit aanwezig is.
- Het toestel vertoont waterlekkage tijdens verwarming.
- Het toestel vertoont waterlekkage tijdens koeling.
- Het toestel maakt veel lawaai.
- Er is condensatievorming op het frontpaneel.

3.2 Tabel van abnormaliteiten en oplossingen

De interventies mogen alleen worden uitgevoerd door een gekwalificeerd installateur of een gespecialiseerd servicecentrum.

Effect	Oorzaak	Oplossing
Een uitgestelde activatie van de ventilatie met betrekking tot de nieuwe temperatuur- of functie-instellingen.	Het duurt even voordat de circuitklep geopend is, waardoor het even duurt voordat het warme of koude water in het toestel circuleert.	Wacht 2 of 3 minuten om de circuitklep te openen.
Het toestel activeert de ventilatie niet.	Geen warm of koud water in het systeem.	Controleer of de waterboiler of -koeler naar behoren werken.
De ventilatie start niet, zelfs als er warm of koud water in het hydraulisch circuit aanwezig is.	De hydraulische klep blijft gesloten.	Demonteer het kleppenhuis en controleer of de watercirculatie is hersteld. Controleer de bedrijfsefficiëntie van de klep door deze afzonderlijk onder 230 V spanning te zetten. Als de klep wordt geactiveerd, kan het probleem bij de elektronische regeling liggen.
	De ventilatormotor is vastgelopen of doorgebrand.	Controleer de motorwikkelingen en of de ventilator vrij kan draaien.
	De microscharrelaar die de ventilatie stopt wanneer het filterrooster is geopend, sluit niet correct.	Controleer of het contact van de microscharrelaar wordt geactiveerd door het rooster te sluiten.
	De elektrische aansluitingen zijn niet correct.	Controleer de elektrische aansluitingen.
Het toestel vertoont waterlekkage tijdens verwarming.	Lekken in de hydraulische verbindingen van het systeem.	Controleer de lekken en span alle verbindingen aan.
	Lekken in de kleppenunit.	Controleer de staat van de pakkingen.
Er is condensatievorming op het frontpaneel.	Warmte-isolatie los.	Controleer of de thermo-akoestische isolatie goed op zijn plaats zit, met name de isolatie vooraan boven de ribbenbuis-batterij.
Er zitten waterdruppels op het luchtuitlaatrooster.	Bij een hoge vochtigheidsgraad (>60%) kan er zich condensatie vormen, met name aan minimumventilatiesnelheden.	Zodra de vochtigheid daalt, verdwijnt het fenomeen vanzelf. In elk geval wijst de aanwezigheid van enkele waterdruppels in het toestel niet op een storing.

Effect	Oorzaak	Oplossing
Het toestel vertoont waterlekage tijdens koeling.	De condensatiebak is verstopt.	Giet traag een fles water in het onderste deel van de batterij om de afvoer te controleren. Reinig indien nodig de bak en/of zorg voor een grotere hellingshoek van de afvoerleiding.
	De condensatieafvoer heeft geen hellingshoek nodig voor een correcte afvoer.	
	De verbindingsleidingen en de kleppenunit zijn niet goed geïsoleerd.	Controleer de isolatie van de leidingen.
Het toestel maakt een vreemd geluid.	De ventilator raakt de structuur.	Controleer of de filters verstopt zijn en reinig ze indien nodig.
	De ventilator is uit balans.	Een ventilator die uit balans is veroorzaakt overmatige trillingen in de machine; vervang de ventilator.
	Controleer of de filters verstopt zijn en reinig ze indien nodig.	Maak de filters schoon

3.3 Technische gegevens

FWXV	u.m.	10AATV3(R)	15AATV3(R)	20AATV3(R)
		10ABTV3(R)	15ABTV3(R)	20ABTV3(R)

KOELPRESTATIES (W 7/12 °C; A 27 °C)

Totaal koelvermogen	(1)	kW	1,62	2,64	2,99
Zintuiglijk koelvermogen	(1)	kW	1,25	1,91	2,33
Latent koelvermogen	(1)	kW	0,37	0,73	0,66
Waterstroming	(1)	L/h	365	483	568
Drukverlies	(1)	kPa	11,0	23,0	22,0

VERWARMINGSPRESTATIES (W 45/40 °C; A 20 °C)

Verwarmingcapaciteit	(2)	kW	1,96	2,86	3,50
Waterstroming	(2)	L/h	380	519	655
Drukverlies	(2)	kPa	11,0	23,0	22,0

HYDRAULISCHE GEGEVENS

Spoel watergehalte		L	0,80	1,13	1,46
Maximale bedrijfsdruk		bar	10	10	10
Hydraulische aansluitingen		" EK	3/4		
Maximale inlaatwatertemperatuur		°C	80	80	80
Minimum inlaatwatertemperatuur		°C	4	4	4

AERAUISCHE GEGEVENS

Luchtstroom bij de maximum ventilatorsnelheid	(3)	m³/h	294	438	567
Luchtstroom bij gemiddelde ventilatorsnelheid		m³/h	210	318	410
Luchtstroom bij de minimum ventilatorsnelheid		m³/h	118	180	247
Statische druk beschikbaar		Pa	10	13	13

ELEKTRISCHE GEGEVENS

Stroomvoorziening		V/ph/Hz	230-1-50		
Opname van elektrisch vermogen bij maximumsnelheid		W	19,0	25,0	31,0
Maximaal opgenomen stroom		A	0,16	0,18	0,26
Opname van elektrisch vermogen bij minimumsnelheid		W	4,0	6,0	5,0

GELUIDSGEGEVENS

Maximaal geluidsvermogensniveau		dB(A)	56	57	58
Geluidsdrukniveau bij maximaal luchtdebiet	(4)	dB(A)	47	48	49
Geluidsdrukniveau bij gemiddeld luchtdebiet	(4)	dB(A)	38	39	40
Geluidsdrukniveau bij minimaal luchtdebiet	(4)	dB(A)	31	33	34

Gewicht		kg	20	23	26
---------	--	----	----	----	----

(1) Watertemperatuur 7/12°C, Luchttemperatuur 27°C BS en 19°C BU, EN 1397

(2) Watertemperatuur 45/40°C, Luchttemperatuur 20°C BS en 15°C BU, EN 1397

(3) Luchtstroom gemeten met schone filters

(4) Geluidsdruk gemeten op een afstand van 1 meter volgens ISO7779

FWXM	u.m.	10AATV3(R)	15AATV3(R)	20AATV3(R)
KOELPRESTATIES (W 7/12 °C; A 27 °C)				
Totaal koelvermogen	(1) kW	2,12	2,81	3,30
Zintuiglijk koelvermogen	(1) kW	1,72	2,11	2,71
Latent koelvermogen	(1) kW	0,40	0,70	0,59
Waterstroming	(1) L/h	365	483	568
Drukverlies	(1) kPa	8,2	17,1	18,0
VERWARMINGSPRESTATIES (W 45/40 °C; A 20 °C)				
Verwarmingscapaciteit	(2) kW	2,21	3,02	3,81
Waterstroming	(2) L/h	380	519	655
Drukverlies	(2) kPa	9,2	19,1	21,2
HYDRAULISCHE GEGEVENS				
Spoel watergehalte	L	0,80	1,13	1,46
Maximale bedrijfsdruk	bar	10	10	10
Hydraulische aansluitingen	" EK	3/4		
Maximale inlaatwatertemperatuur	°C	80	80	80
Minimum inlaatwatertemperatuur	°C	4	4	4
AERAUISCHE GEGEVENS				
Luchtstroom bij de maximum ventilatorsnelheid	(3) m³/h	294	438	567
Luchtstroom bij gemiddelde ventilatorsnelheid	m³/h	210	318	410
Luchtstroom bij de minimum ventilatorsnelheid	m³/h	118	180	247
Statische druk beschikbaar	Pa	10	13	13
ELEKTRISCHE GEGEVENS				
Stroomvoorziening	V/ph/Hz	230-1-50		
Opname van elektrisch vermogen bij maximumsnelheid	W	19,0	20,0	29,0
Maximaal opgenomen stroom	A	0,16	0,18	0,26
Opname van elektrisch vermogen bij minimumsnelheid	W	4,0	6,0	5,0
GELUIDSGEGEVENS				
Maximaal geluidsvermogensniveau	dB(A)	53	54	55
Geluidsdruk niveau bij maximaal luchtdebiet	(4) dB(A)	42	44	46
Geluidsdruk niveau bij gemiddeld luchtdebiet	(4) dB(A)	34	34	35
Geluidsdruk niveau bij minimaal luchtdebiet	(4) dB(A)	25	26	26
Gewicht	kg	12	15	18

(1) Watertemperatuur 7/12°C, Luchttemperatuur 27°C BS en 19°C BU, EN 1397

(2) Watertemperatuur 45/40°C, Luchttemperatuur 20°C BS en 15°C BU, EN 1397

(3) Luchtstroom gemeten met schone filters

(4) Geluidsdruk gemeten op een afstand van 1 meter volgens ISO7779

DAIKIN EUROPE N.V.

Zandvoordestraat 300, B-8400 Oostende, Belgium

Copyright 2019 Daikin

cod. N420249A - 04



MONTAJ KILAVUZU

Daikin Altherma Isı Pompası konvektörü

FWXV10ABTV3(R)
FWXV15ABTV3(R)
FWXV20ABTV3(R)
FWXV10AATV3(R)
FWXV15AATV3(R)
FWXV20AATV3(R)
FWXM10AATV3(R)
FWXM15AATV3(R)
FWXM20AATV3(R)

Her şeyden önce ürünlerimizden birisini tercih ettiğiniz için teşekkür ederiz.

Ev kliması teknolojisinde son noktayı temsil ettiğinden dolayı memnun kalacağınızdan eminiz.

Bu kılavuzdaki önerileri izlerseniz satın aldığınız bu su-su ısı pompası sorunsuz çalışacak ve size minimum enerji maliyetiyle en uygun oda sıcaklığını sunacaktır.

DAIKIN EUROPE N.V.

Uygunluk

Bu ünite Avrupa direktiflerine uygundur:

- Düşük gerilme direktifi 2014/35/UE
- Elektromanyetik uyumluluk 2014/30/UE;

Simgeler

İzleyen bölümdeki semboller makinenin hızlı ve hatasız şekilde doğru ve güvenli kullanımı için gerekli bilgileri

sağlar

Editör sembolleri

U Kullanıcı

- Kullanıcıya yönelik talimat ya da bilgileri içeren sayfalara atıfta bulunur.

S Servis

- Montör TEKNİK MÜŞTERİ HİZMETLERİNE yönelik talimat ya da bilgileri içeren sayfalara atıfta bulunur.

I Montör

- Montöre yönelik talimat ya da bilgileri içeren sayfalara atıfta bulunur

Güvenlik sembolleri

⚠ Jenerik tehlike

- Açıklanan işlemin güvenlik kurallarına uygun yapılmaması durumunda yaralanmaya yol açabileceğini personele haber verir.

⚠ Isı kaynaklı tehlike

- Açıklanan işlemin güvenlik kurallarına uygun yapılmaması durumunda yanıklara yol açabileceğini personele haber verir.

⚠ Yüksek gerilim tehlikesi

- Açıklanan işlemin güvenlik kurallarına uygun yapılmaması durumunda elektrik çarpmasına yol açabileceğini personele haber verir.

⊖ Yapmayın

- Kesinlikle yapılmaması gereken eylemlere atıfta bulunur.

Genel	
1.1	Genel uyarılar 4
1.2	Önemli güvenlik kuralları 4
1.3	Ürün yelpazesi 6
1.4	Toplam boyut 5

Montaj	
2.1	Ünitenin konumlandırılması 7
2.2	Montaj modları 7
2.3	Minimum montaj mesafeleri 7
2.4	Makine gövdesine erişim 8
2.5	Tarafı kaldır 9
2.6	Dikey montaj 9
2.7	Yatay montaj ya da tavana montaj 10
2.8	Hidrolik bağlantılar 10
2.9	Yoğuşma suyunun boşaltılması 11
2.10	Sistemin doldurulması 12
2.11	Sistemi doldururken hava tahliyesi 12
2.12	Elektrik bağlantıları 13
2.13	Bakım 13
2.14	Dış kısmın temizliği 13
2.15	Hava emme filtresinin temizliği 14
2.16	Enerji tasarrufu için ipuçları 15

Sorun Giderme	
3.1	Sorun Giderme 16
3.2	Anormallikler ve çözümleri tablosu 16
3.3	Teknik veri 18

GENEL

1.1 Genel uyarılar

- ⚠️ Ambalajı açtıktan sonra tüm bileşenlerin mevcut olduğundan emin olun. Eksik varsa DAIKIN irtibat ofisi montörünüze başvurun.
- ⚠️ DAIKIN cihazlar iş tamamlandığında yürürlükteki kanunlara ve cihazla beraber verilen talimat kitapçığında DAIKIN tarafından belirtilenlere uygun olarak müşteriye bir uygunluk beyanı verecek yetkili bir montör tarafından monte edilmelidir.
- ⚠️ Bu cihazlar ortamları iklimlendirmek ve/veya ısıtmak için tasarlanmıştır ve yalnızca bu amaçlarla ve performans özelliklerine uygun olarak kullanılmalıdır. DAIKIN EUROPE N.V. insan, hayvan ya da eşyalarda hatalı montaj, ayarlama, bakım ya da kullanımdan kaynaklanan hiçbir zarardan dolayı sözleşme içi ya da dışı hiçbir sorumluluk kabul etmez.
- ⚠️ Su kaçağlarında sistem ana şalterini "KAPALI" duruma getirin ve su musluklarını kapatın. Mümkün olan en kısa zamanda DAIKIN teknik servis departmanını ya da mesleki açıdan ehliyetli personeli arayın ve cihaza kendiniz müdahalede bulunmayın.
- ⚠️ Gömülü FWXM serisinde ızgara ya da örtücü plaka yoktur. Cihaza yanlışlıkla teması önlemek için güvenlik korumaları ve hava giriş/çıkış ızgaraları temin edin.
- ⚠️ Cihaz uzun süre kullanılmayacaksa aşağıdaki işlemler yapılmalıdır:
 - Sistem ana şalterini "KAPALI" konuma getirin
 - Su musluklarını kapatın
 - Donma riski varsa sisteme antifriz eklendiğinden emin olun. Aksi takdirde, sistemi boşaltın.
- ⚠️ Oda sıcaklığı çok düşük ya da çok yüksekse sağlığa zararlıdır ve faydasız bir enerji israfıdır. Doğrudan hava akımıyla uzun süreli temastan kaçınin.
- ⚠️ Odayı uzun süre kapalı tutmayın. Doğru hava akımı için pencereleri düzenli olarak açın.
- ⚠️ Bu talimat kitapçığı cihazın ayrılmaz bir parçasıdır ve dikkatli olarak korunmalı ve cihaz yeni sahibine ya da kullanıcıya devredildiğinde ya da başka bir sisteme aktarıldığında bile HER ZAMAN cihazın yanında tutulmalıdır. Kaybolur ya da zarar görürse lütfen DAIKIN teknik servis merkezine başvurun.
- ⚠️ Tüm onarım ve bakım işlemleri teknik yardım servisi ya da mesleki açıdan ehliyetli personel tarafından kitapçıkta belirtildiği şekilde yapılmalıdır. Tehlikeli durumlara yol açabileceğinden ve meydana gelebilecek zararlardan üretici sorumlu olmayacağından dolayı bu cihaza müdahale etmeyin ve üzerinde değişiklik yapmayın.
- ⚠️ Yanma tehlikesi - dokunurken dikkatli olun

1.2 Önemli güvenlik kuralları

- ⊖ Elektrik ve su kullanılan bir ürünü kullanırken bazı temel güvenlik kurallarının izlenmesi gerektiğini unutmayın, örneğin:
- ⊖ Ünite, 8 yaşın üzerindeki çocuklar tarafından ve fiziksel, duyuşsal veya zihinsel yetenekleri azalmış veya izlenen veya güvenli kullanımı hakkında talimatlar aldıktan sonra herhangi bir deneyime veya gerekli bilgiye sahip olmayan kişiler tarafından kullanılabilir. Ünite ve ilgili tehlikeleri anladı. Çocuklar cihazla oynamamalıdır. Kullanıcı tarafından yapılması gereken temizlik ve bakım, gözetimsiz çocuklar tarafından yapılmamalıdır.
- ⊖ Bu cihaza ayaklar çıplakken ıslak elle ya da vücutla temas yasaktır.
- ⊖ Sistem ana şalterini "KAPALI" konuma getirerek cihazın elektrik şebekesiyle bağlantısını kesmeden herhangi bir temizlik işlemi yapmak yasaktır.
- ⊖ Üreticinin onayını almadan ve üretici tarafından belirtilmedikçe güvenlik ve ayar cihazlarında değişiklik ya da ayarlama yapmak yasaktır.
- ⊖ Ana şebekeden bağlantıları kesilmiş olsa bile cihazdan çıkan elektrik kablolarının çekilmesi, kesilmesi ya da düğümlemesi yasaktır.

- ⊖ Giriş ya da çıkış ızgaralarından bir cisim ya da başka bir şey sokmak yasaktır.
- ⊖ Cihazın üstüne tırmanmak ya da üzerine bir cisim dayamak yasaktır.
- ⊖ Öncelikle sistem ana şalterini "KAPALI" konuma getirmeden cihazın iç kısımlarına erişim sağlayan kapakları açmak yasaktır.
- ⊖ Cihazın dış parçaları 70°C'nin üzerinde sıcaklıklara ulaşabilir.
- ⊖ Tehlike oluşturabilecek ambalaj malzemelerinin atılması ya da çocukların erişebileceği yerde bırakılması yasaktır.

1.3 Ürün yelpazesi

Her bir 3 farklı ebatla ve farklı performans ve boyuta sahip FWXV ve FWXM olmak üzere 2 tür DAIKIN ısı pompası konvektörü vardır.

FWXV serisi

metal dolaplı soğutucu-konvektör.

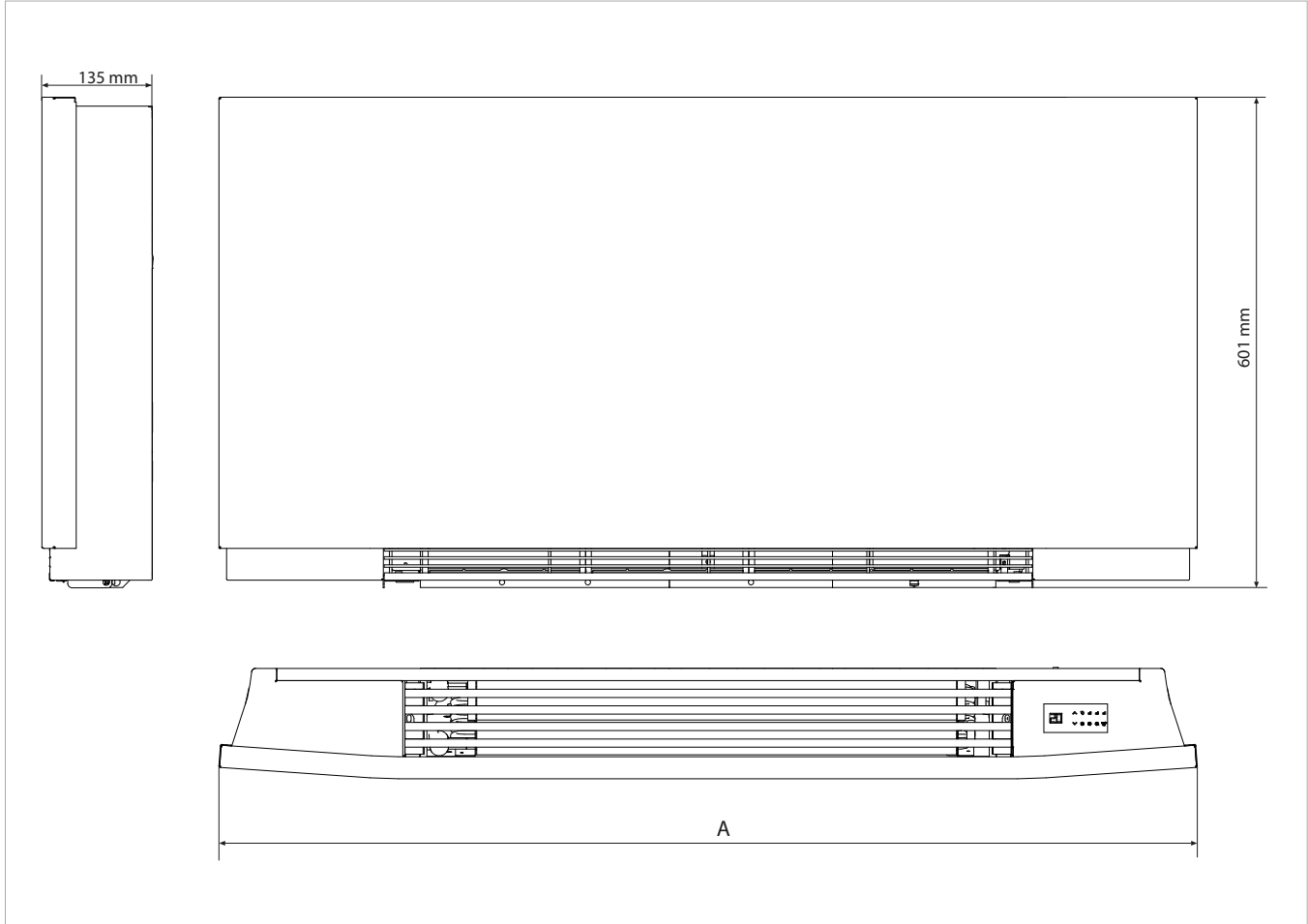
FWXM serisi

Panelsiz gömülü soğutucu-konvektör.

1.4 Toplam boyut Isı pompası konvektörü

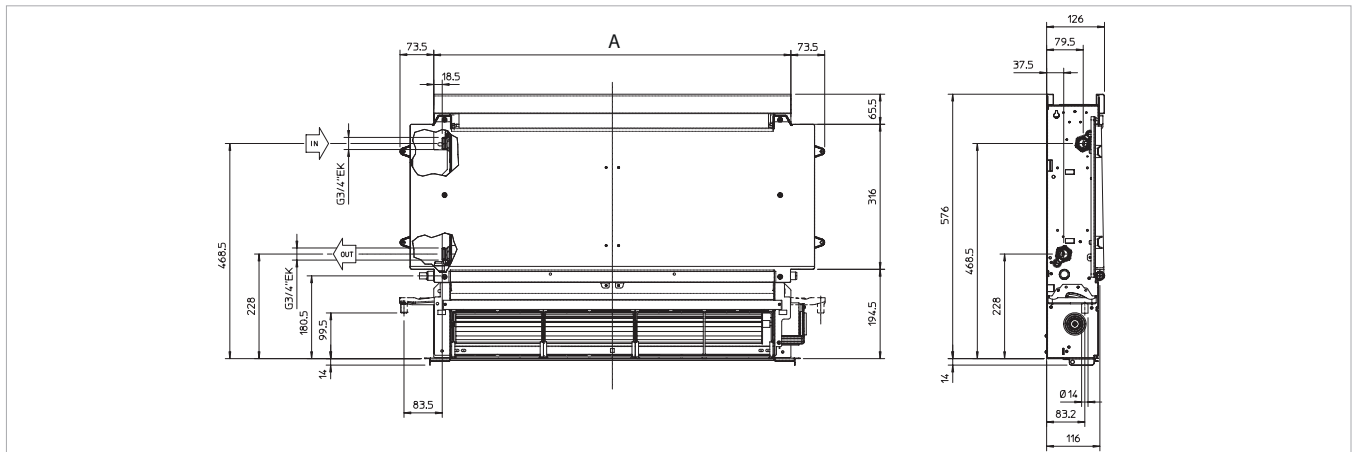
	U.M.	FWXV10AATV3(R)	FWXV15AATV3(R)	FWXV20AATV3(R)
		FWXV10ABTV3(R)	FWXV15ABTV3(R)	FWXV20ABTV3(R)
Boyutlar				
A	mm	999	1199	1399

FWXV



	U.M.	FWXM10AATV3(R)	FWXM15AATV3(R)	FWXM20AATV3(R)
Boyutlar				
A	mm	578	778	978

FWXM



MONTAJ

2.1 Ünitenin konumlandırılması

- ⚠ Ünitenin aşağıdakilere yakın montajından sakının:
- doğrudan güneş ışığına maruz kalan yerler;
 - ısı kaynakları;
 - ıslak yerler veya suyla muhtemel teması olan yerler;
 - yağ buğuları içeren yerler
 - yüksek frekansa maruz yerler.
- ⚠ Şu hususlara dikkat edin:
- ünitenin takılacağı duvar cihazın ağırlığını taşıyabilecek sağlamlıkta olmalıdır;
 - duvarın ilgili kısmından boru ya da elektrik hattı

- geçmemelidir;
- ürünün takılacağı duvar mükemmel düzlükte olmalıdır;
- Giriş ve çıkış hava akımına zarar verecek engeller bulunmamalıdır;
- Yoğuşma suyunun dışarı atılabilmesi için ürünün takılacağı duvar tercihen binanın dışına bakan bir duvar olmalıdır;
- tavana montajlarda (FWXM serisi) hava akışı insanlara yönelik olmamalıdır.

2.2 Montaj modları

Çeşitli montaj evrelerinin aşağıdaki açıklamaları ve ilgili tasarımlar soldaki müşterilata sahip makine sürümüne atıfta bulunur.

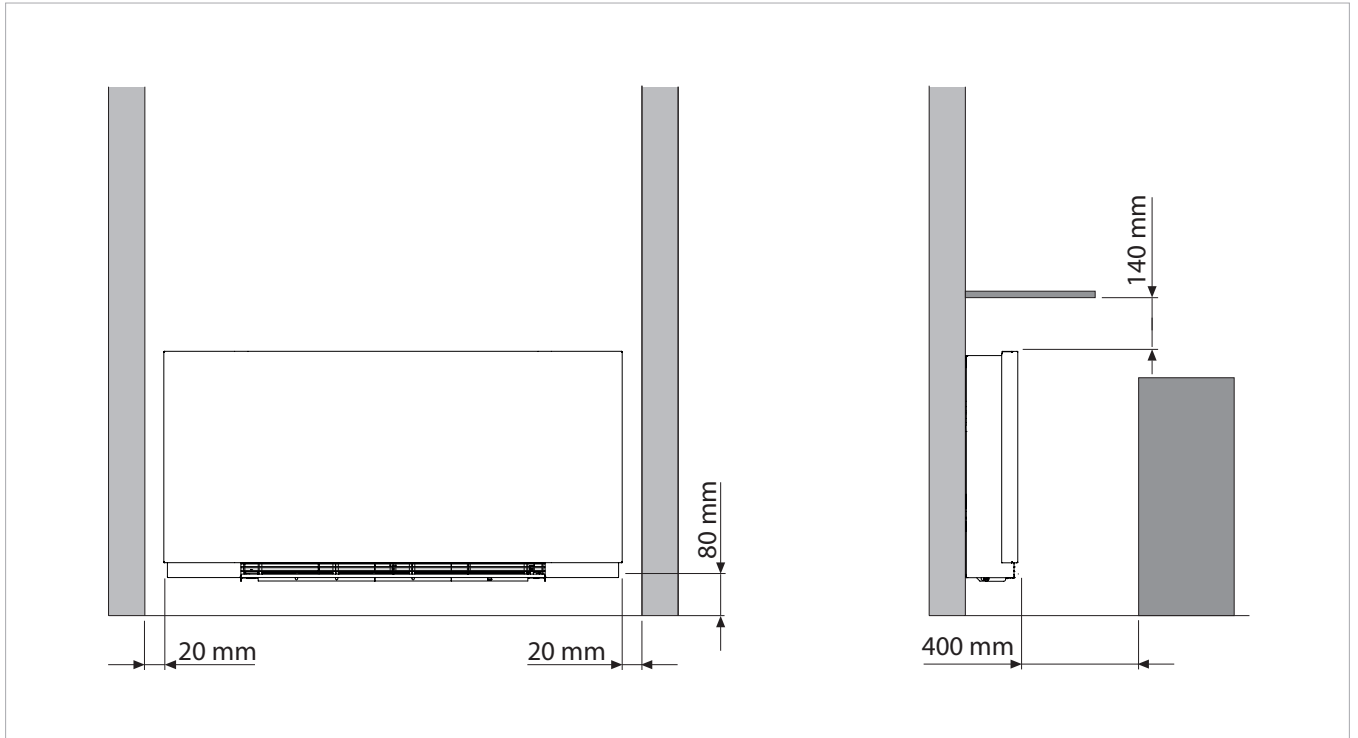
Sağdaki müşterilata sahip (R) makinelerin montaj işlemleri tamamen aynıdır.

Yalnızca resimlere ayna görüntüsü olarak bakılmalıdır.

Montajın doğru yapılması ve cihazın mükemmel çalışması için bu kılavuzda belirtilen talimatları gözetin. Belirtilen kurallara uyulmazsa hem cihazda arızalar ortaya çıkabilir hem de garanti geçersiz olacağından DAIKIN EUROPE N.V. insan, hayvan ve eşyalardaki zararlardan sorumluluk kabul etmez.

2.3 Minimum montaj mesafeleri

Şekilde duvara takılan soğutucu-konvektör ile odadaki mobilyalar arasındaki minimum montaj mesafeleri gösterilmiştir.



2.4 Makine gövdesine erişim

Makinenin içine erişmek için aşağıdaki prosedürleri izleyin.

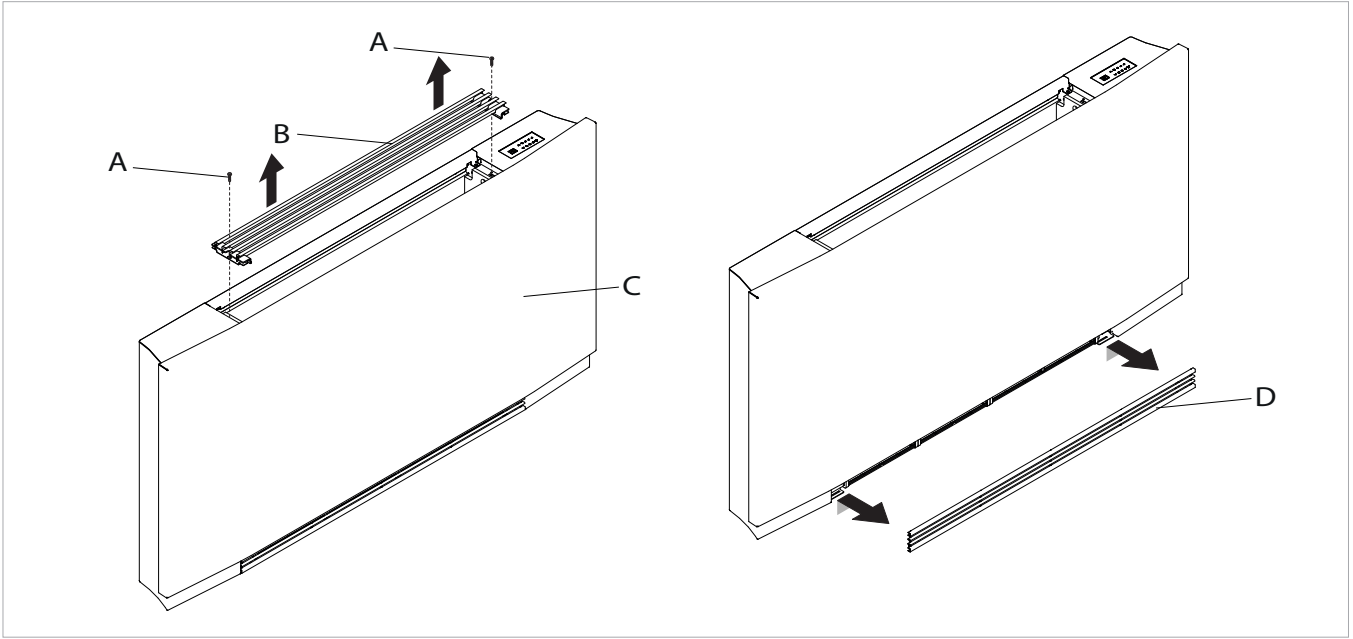
Üst ızgarayı çıkarın: - sabitleme vidalarını gevşetin
- üst ızgaranın sabitleme vidalarını gevşetin
- ızgarayı çıkarın

Ön ızgarayı çıkarın:

- ızgarayı tamamen oturuncaya kadar çıkarın
- ızgarayı eğin
- dışarı doğru kaydırın

A	Sabitleme vidaları
B	Üst ızgara

C	Ön panel
D	Ön ızgara

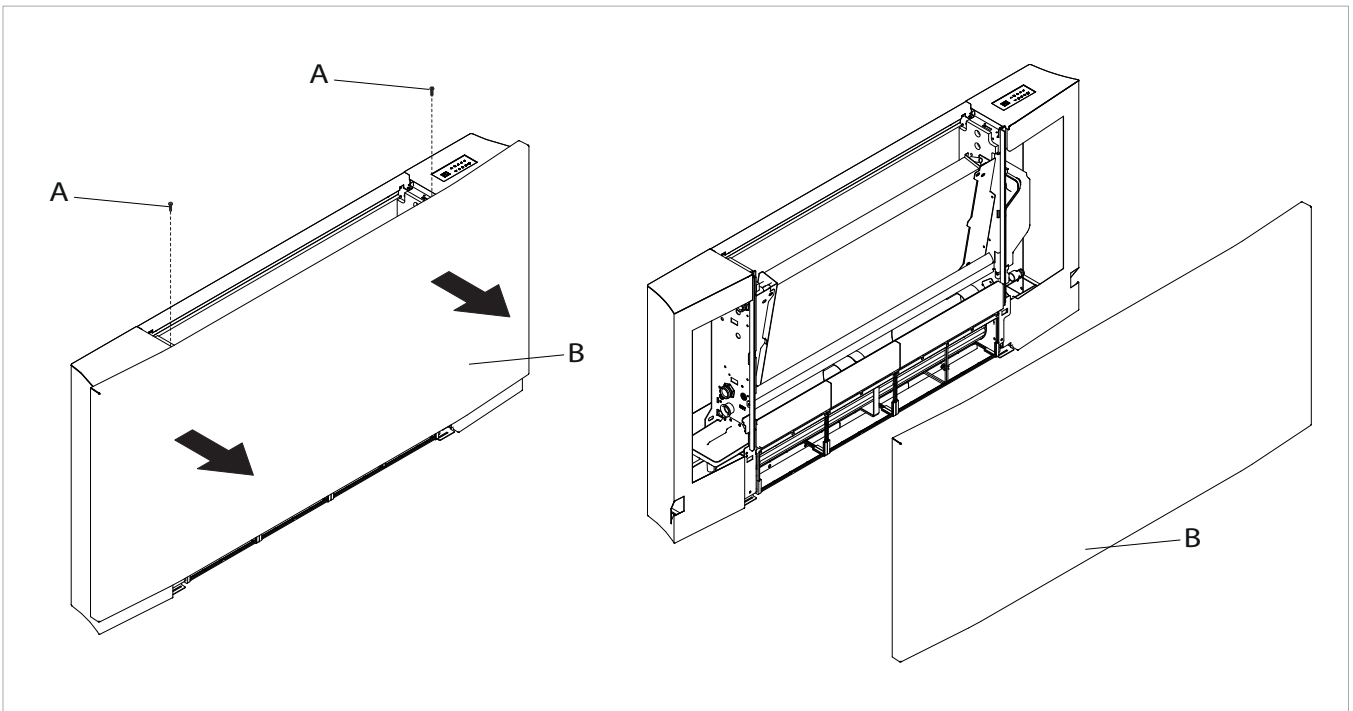


Ön paneli çıkarın:

- sabitleme vidalarını gevşetin
- paneli çıkarın

A	Sabitleme vidaları
----------	--------------------

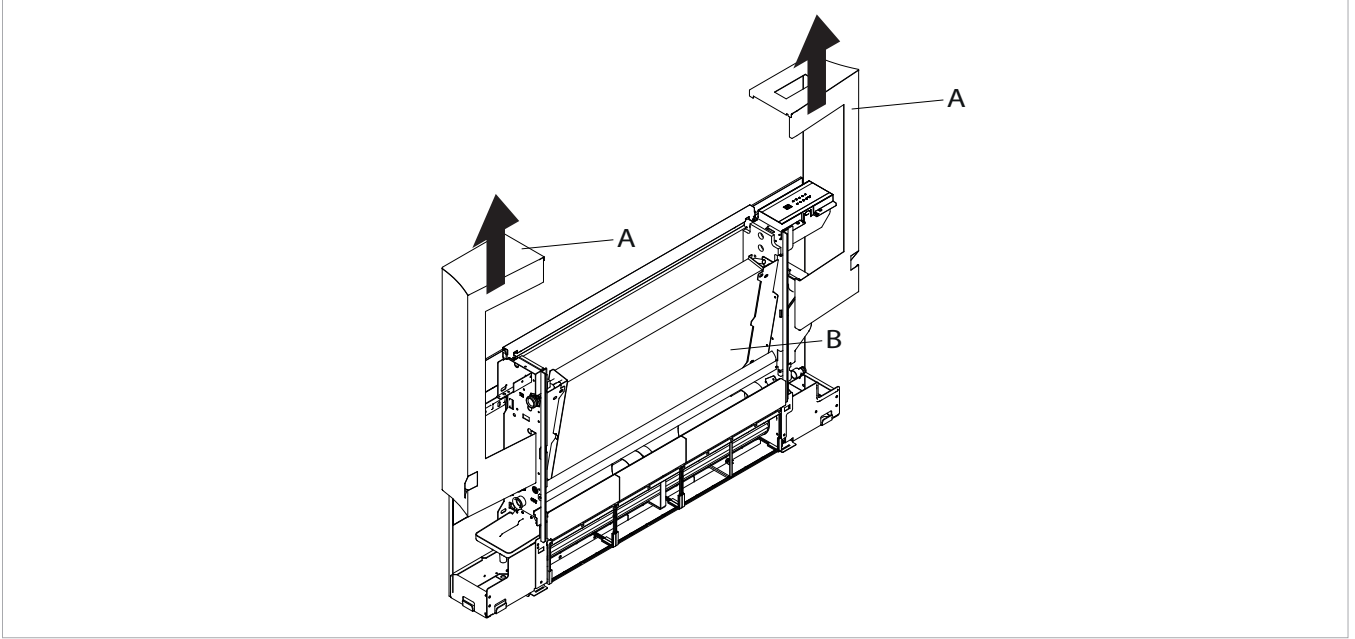
B	Ön panel
----------	----------



2.5 Tarafı kaldır

Tarafı çıkarmak için:
- yanları yukarı doğru çıkarın

A	Yan
B	Makine gövdesi



2.6 Zemine ya da duvara dikey montaj

Kağıt şablonu kullanarak iki tespit braketinin duvardaki konumunu işaretleyin. Uygun bir matkapla delik açın ve her bir braket için 2 adet olmak üzere eklem cıvatalarını takıp iki braketi sabitleyin. Braketlerin su terazisiyle ayarlanabilmesi için vidaları aşırı sıkmayın. İki braketi sabitlemek için dört vidayı sonuna kadar sıkın. Takıp iki braketi sabitleyin. Braketlerin su terazisiyle ayarlanabilmesi için vidaları aşırı sıkmayın. İki braketi sabitlemek için dört vidayı sonuna kadar sıkın. Braketleri sağa, sola, yukarıya ve aşağıya ele hareket ettirmeye çalışarak sağlamlığını kontrol edin.

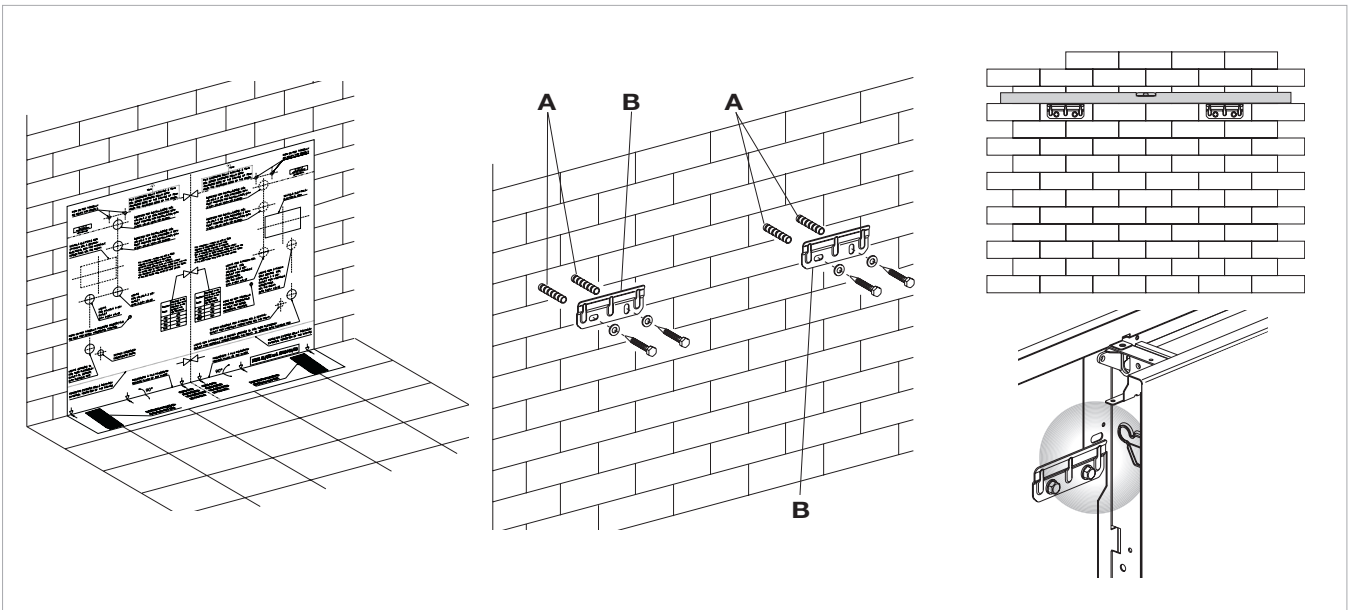
İlk olarak braketlere doğru oturduğunu ve dengeli olduğunu kontrol ederek üniteyi takın.

Not: Boruların fancoil bağlantılarına bağlantısını kolaylaştırmak için, boruların kendi çıkışlarına yerleşik bir kutu yerleştirin.

Kutunun doğru konumu kurulum şablonunda belirtilmiştir.

A Eklem cıvataları

B Braketler

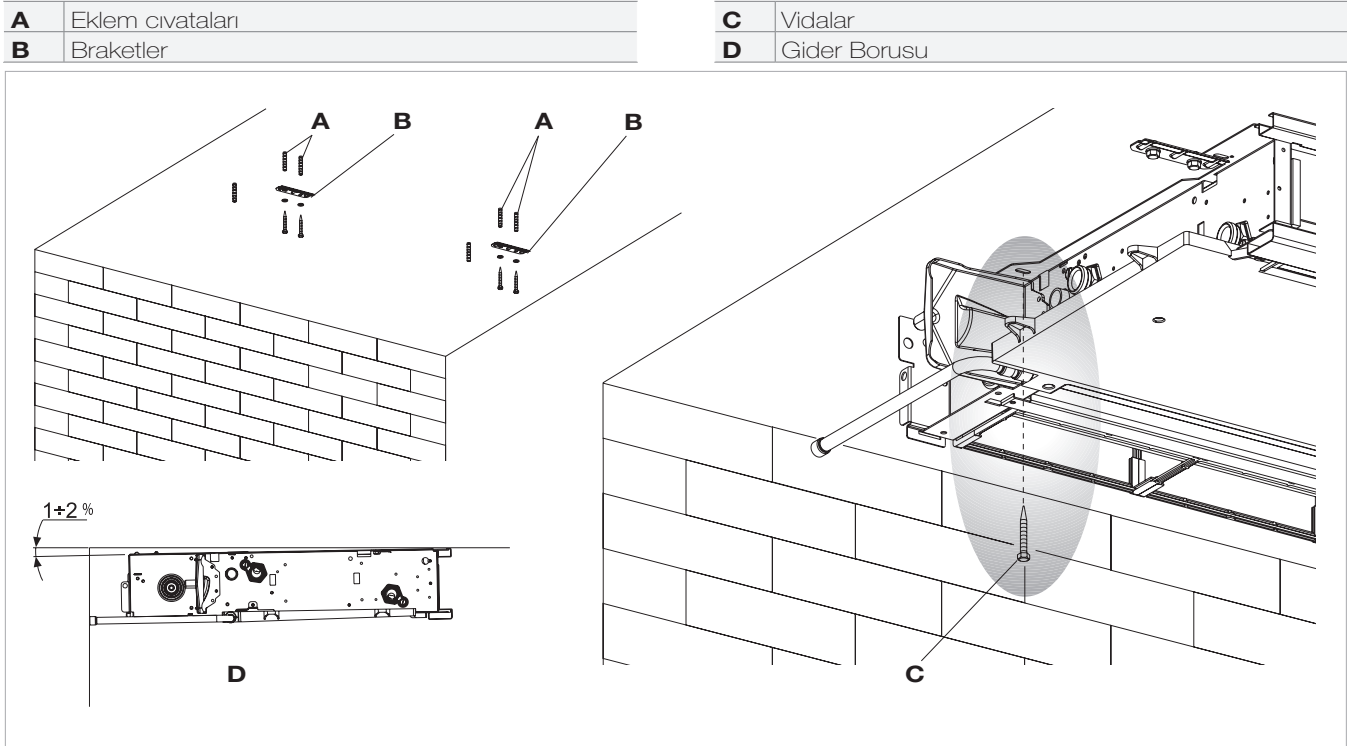


2.7 Yatay montaj ya da tavana montaj

Kağıt şablonu kullanarak iki tespit braketinin ve iki arka vidanın tavadaki konumunu işaretleyin. Uygun bir matkapla delik açın ve her bir braket için 2 adet olmak üzere eklem cıvatalarını takıp iki braketin sabitleyin. Vidaları aşırı sıkmayın. Konumunu koruyarak makineyi iki braketin üzerine konumlandırın ve her biri bir tarafa olmak üzere iki vidayı arka eklem cıvatalarının içine sabitleyin. Üniteyi (su akışını kolaylaştırmak için drenaj borusuna karşı muhtemel% 1 ± 2 toleransla) seviyesinde kurun.

Tüm 6 tespit vidasını tamamen sıkın. FWXV serisinin montajı için yatay yoğuşma suyu toplama havuzu aksesuar setleri mevcuttur (EKM(10/15/20)COH).

⚠ Çıkış borusunun eğimini dikkatlice kontrol edin. Boşaltma borusundaki her türlü karşı eğim su sızmalarına yol açabilir



2.8

FWXV/FWXM	U.M.	10AATV3(R)	15AATV3(R)	20AATV3(R)
FWXV	U.M.	10ABTV3(R)	15ABTV3(R)	20ABTV3(R)
Boru çapı	mm	14	16	18

Not: Aksi belirtilmediği sürece nominal çap her zaman iç çapı ifade eder.

Yüzey yoğuşmasının oluşmasını önlemek için, cihazın ön tarafında bir elektrik kontrolünün (örn. Elektrotermal kafa) sağlandığı durumlar hariç, her zaman elektrikli valf kitlerinin takılması önerilir. Hidrolik hat tercihi ve boyutları iyi teknik kuralları ve yürürlükteki mevzuata göre çalışması gereken ve yetersiz boyuttaki boruların arızaya sebep olabileceğini bilen bir uzman tarafından yapılmalıdır.

Bağlantıları yapmak için:

- hidrolik hatları konumlandırın
- bağlantıları "anahtar ve karşı anahtar" yöntemini kullanarak sıkın
- sıvı kaçağı olup olmadığını kontrol edin
- bağlantıları yalıtım malzemeleriyle kaplayın.

Hidrolik hatlar ve ek yerleri termal olarak yalıtılmalıdır.

Boruların kısmi yalıtımından sakının.

Yalıtıma hasardan sakınmak için aşırı sıkmayın.

Dişli bağlantıların sızdırmazlığı için kenevir ve yeşil pasta kullanın; hidrolik devrede antifriz varsa Teflon kullanmanız önerilir.

2.9 Yoğuşma suyunun boşaltılması

Yoğuşma suyu boşaltma ağının boyutu uygun olmalı (minimum iç boru çapı 16 mm) ve boru hattı, asla %1'in altına düşmeyecek şekilde sabit eğim korunacak şekilde yerleştirilmelidir. Dikey montajda boşaltma borusu hidrolik müştemilatın altındaki yan omzun tabanında konumlandırılarak doğrudan boşaltma tavaasına bağlanmalıdır. Yatay montajda boşaltma borusu makinede zaten mevcut olana bağlanır.

- Mümkünse yoğuşma suyu akışını doğrudan bir oluğa veya "yağmur suyu" giderine verin.
- Doğrudan kanalizasyona verildiğinde kötü kokuların borudan odaya geri girmemesi için sifon kullanımı önerilir. Sifonun boynu yoğuşma suyu toplama kasesinden aşağıda olmalıdır.
- Yoğuşma suyunun bir kaba boşaltılması gerekiyorsa açık havaya açılmalı ve normal dışı akışı engellememesi amacıyla yapışkanlık ve karşı basınç sorunlarından sakınmak için boru suya batırılmamalıdır.

- Yoğuşma suyunun dışı akışını engelleyebilecek bir yükseklik farkı varsa bir pompa takılmalıdır:
- dikey montajda pompayı yanal gider tavaasının altına takın;
- yatay montajda pompa konumu özel gerekliliklere göre kararlaştırılmalıdır.

Bu pompalar piyasada kolayca bulunabilir.

Bununla beraber, montaj tamamlandığında toplama tavaasına yaklaşık 5-10 dakika içerisinde yaklaşık ½ l suyu yavaşça dökerek yoğuşma suyunun dışı doğru akışının kontrol edilmesi önerilir.

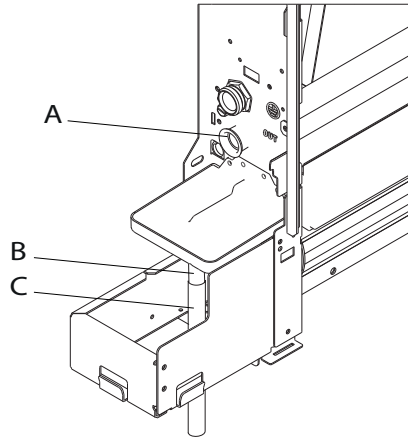
Yoğuşma suyu boşaltma borusunun dikey konumda montajı

Yeterli şekilde tıkararak sıvının dışıya akabilmesi için yoğuşma suyu toplama tavaası boşaltma rakoruna bir boru bağlayın. Damlama kolektör uzatmasının mevcut

olduğunu ve doğru takıldığını kontrol edin.

A	boşaltma fittingi
B	sıvının dışı akışı için boru

C	uzatma damlaması
----------	------------------



Yoğuşma suyu boşaltma borusunun yatay konumda montajı

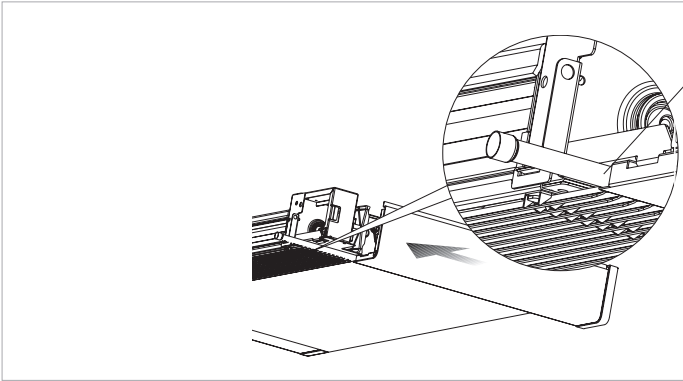
Yatay kaseyi FWXM serisine takmak için EKM(10/15/20) COH setlerindeki talimatlara bakın.

- "L" borusunun ve esnek lastik hortumun kaseye doğru bağlandığını kontrol edin.
- boruyu ön ızgaraya karşı yukarı konumda tutarak makinenin yanına kaydırın.
- borunun yandaki özel olukta takılı kaldığını kontrol ederek yan tarafı tamamen kapatın.

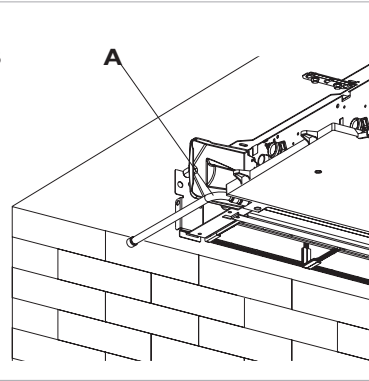
Not: yatay montajda aşağıdaki önlemleri dikkatlice alın:

- makinenin mükemmel terazide veya yoğuşma suyu giderine doğru hafif bir eğimde takıldığından emin olun;
- tüm yoğuşma suyu damlalarının aynı toplama kasesinin dışına düşmesini önlemek için içe ve dışa akış borularını makine rakoruna kadar dikkatlice yalıtın;
- kase yoğuşma suyu boşaltma borularını tüm uzunluğu boyunca yalıtın.

A Bağlantı boruları



B Hırsızlık



2.10 Sistemin doldurulması

Sistem ilk defa çalıştırılırken hidrolik ünite kilit kalkanının açık olduğundan emin olun. Elektrik yoksa ve termo

vanaya önceden güç verilmişse açmak amacıyla vana durdurucuya bastırmak için özel kapağı kullanın.

2.11 Sistemi doldururken hava tahliyesi

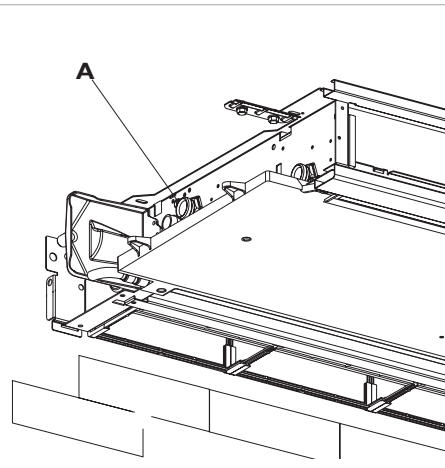
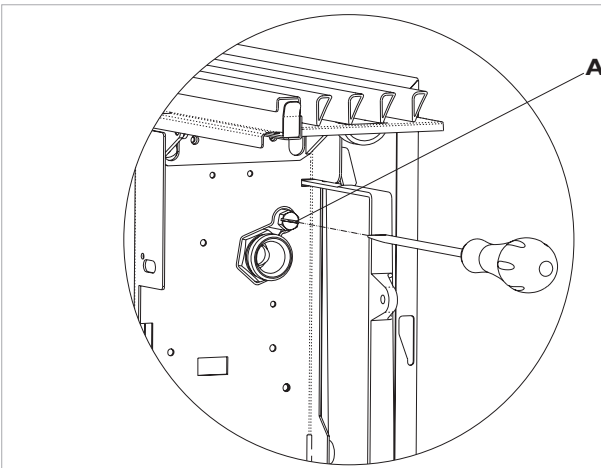
- Tüm sistem yakalama cihazlarını açın (manuel ya da otomatik);
- Sistem su dolmuşturken musluğu yavaşça açarak dolumu başlatın;
- Dikey montajlarda bir tornavida ile pilin en yüksek havalandırıcısı üzerinde işlem yapın; yatay montajlarda en yüksek konumdaki havalandırıcısı üzerinde işlem yapın.

- Su cihazın havalandırıcı vanalarından gelmeye başladığında bunları kapatın ve sistem nominal değerine ulaşıncaya kadar doluma devam edin.

Contaların hidrolik sızdırmazlığını kontrol edin.

Cihaz birkaç saat çalıştıktan sonra bu işlemlerin tekrarlanması ve sistemin basıncının düzenli olarak kontrol edilmesi önerilir.

A Pilin havasının alınması



2.12 Elektrik bağlantıları

Montaj ve aksesuarlar kılavuzlarında sunulan düzenlere başvurarak Genel Uyarılar ve Önemli Güvenlik Kuralları kısımlarında belirtilen gerekliliklere göre elektrik bağlantılarını yapın. Herhangi bir işlemten önce gücün kapalı olduğundan

emin olun.

Bu ünite, en az 3 mm'lik minimum kontak açıklığı olan çok kutuplu bir şalterle ya da Kategori III düşük gerilim koşullarında cihazdan bağlantısının tamamen kesilmesine izin veren bir cihazla şebekeye bağlanmalıdır.

2.13 Bakım

DAIKIN soğutucu-konvektörünü yıllarca mükemmel çalışma koşullarında, güvenli ve güvenilir tutmak için düzenli bakım vazgeçilmezdir. Bu bakım teknik olarak yetkilendirilmiş ve hazırlanmış Teknik Servis Yardımı

tarafından her zaman orijinal yedek parça kullanılarak bazı müdahaleler için altı ayda bir ve diğer işlemler için her yıl yapılabilir.

2.14 Dış kısmın temizliği

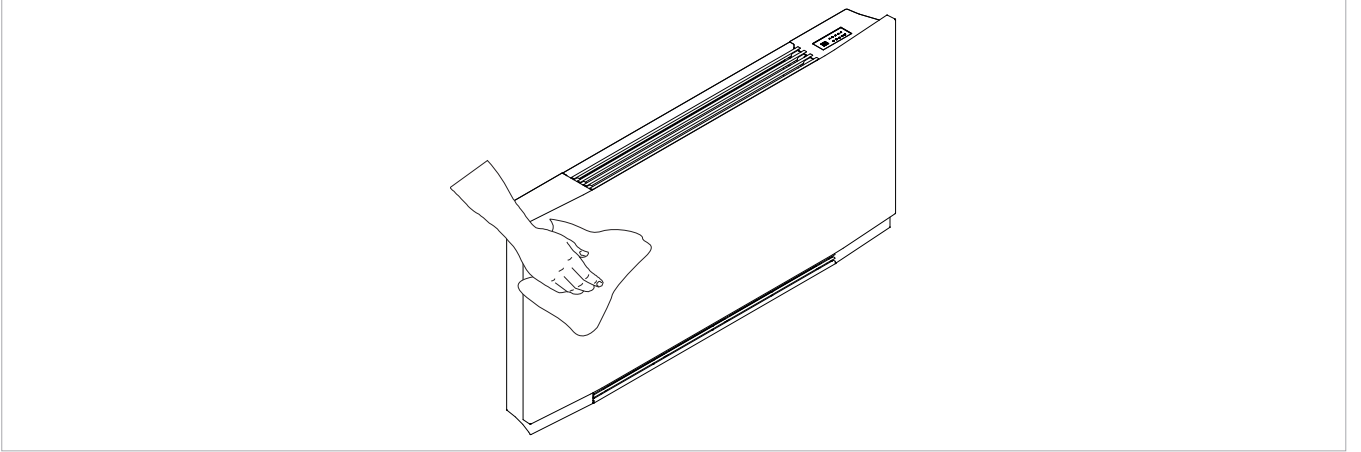
⚠ Tüm temizlik ve bakım işlemlerinden önce ana şalteri kapatarak cihazın şebekeden bağlantısını kesin.

⚠ Yanma riskinden sakınmak için parçaların soğumasını bekleyin.

⚠ Boyalı yüzeylere zarar gelmesinden kaçınmak için

aşındırıcı süngerler ya da aşındırıcı veya korozif deterjanlar kullanmayın.

Gerektiğinde DAIKIN soğutucu-konvektörün harici yüzeylerini yumuşak bir nemli bezle temizleyin.



2.15 Hava emme filtresinin temizliđi

Sürekli kullanıldıđı dönemden sonra ve havadaki yabancı madde derişimlerine göre ya da bir süre kullanılmadıktan

sonra cihazı çalıştırmak istediđinizde tarif edilen işlemleri gerçekleştirin.

Filtre hücrelerinin çıkarılması

Izgarayı çıkarmak için:

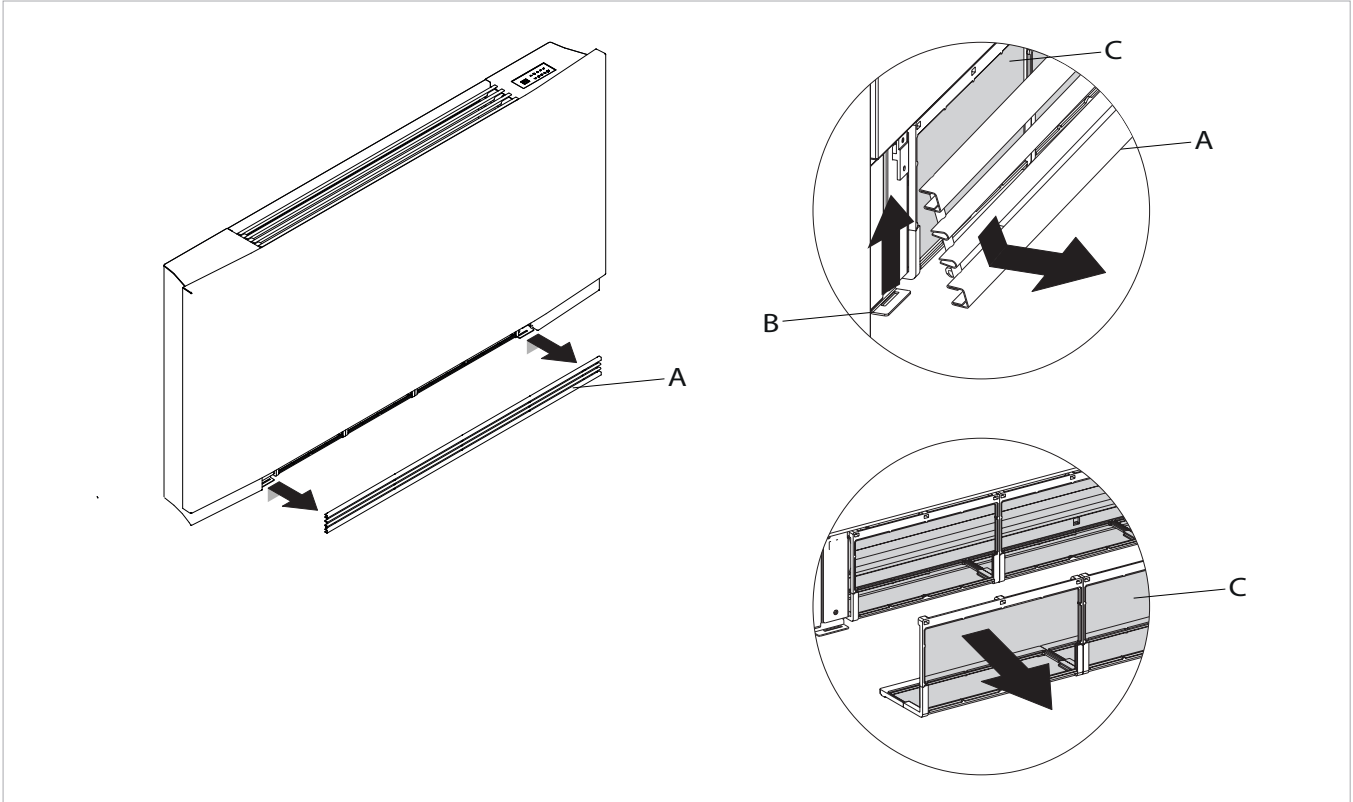
- ızgarayı tamamen koltuktan serbest kalana kadar kaldırın

- ızgarayı yaktı ve yukarı doğru kaydırın

- daha sonra yukarı doğru çekerek filtreyi çıkarın

A	Ön ızgara
B	Izgara kanca

C	Filtresi
----------	----------



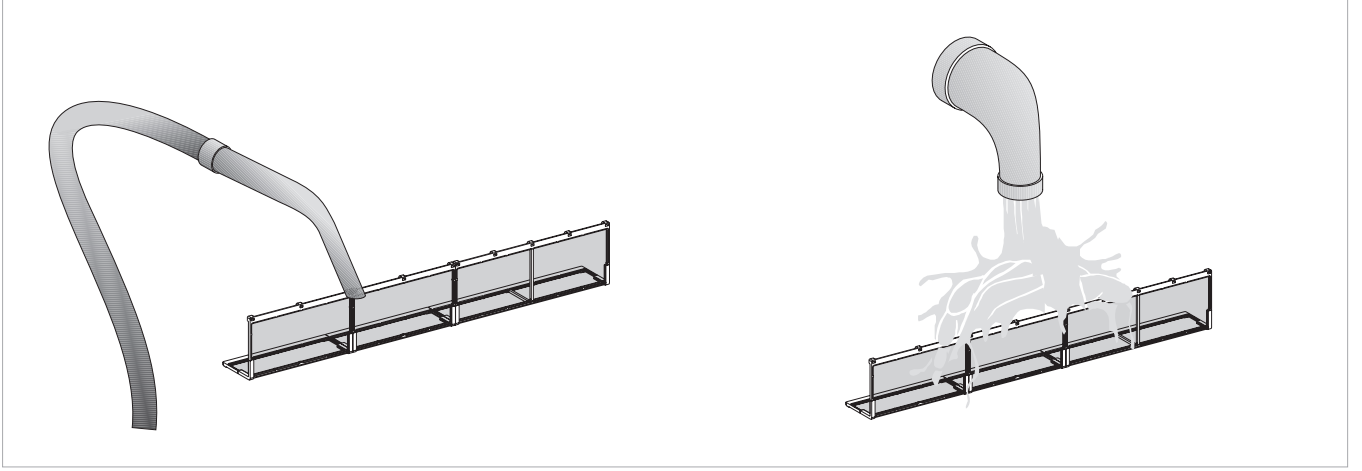
Filtreleme yuvalarının temizliği

- tozu elektrik süpürgesiyle temizleyin
- filtreyi deterjan ya da solvent kullanmadan akan suyun altında yıkayıp kurumaya bırakın.

⚠ Bu cihazda mobil panelin yokluğunda ya da yerinde olmaması durumunda soğutucunun çalışmasını önleyen bir güvenlik şalteri vardır.

⊖ Ağ filtreleri olmadan ünitenin kullanımı yasaktır.

⚠ Filtre temizlendikten sonra panelin doğru takıldığını kontrol edin.



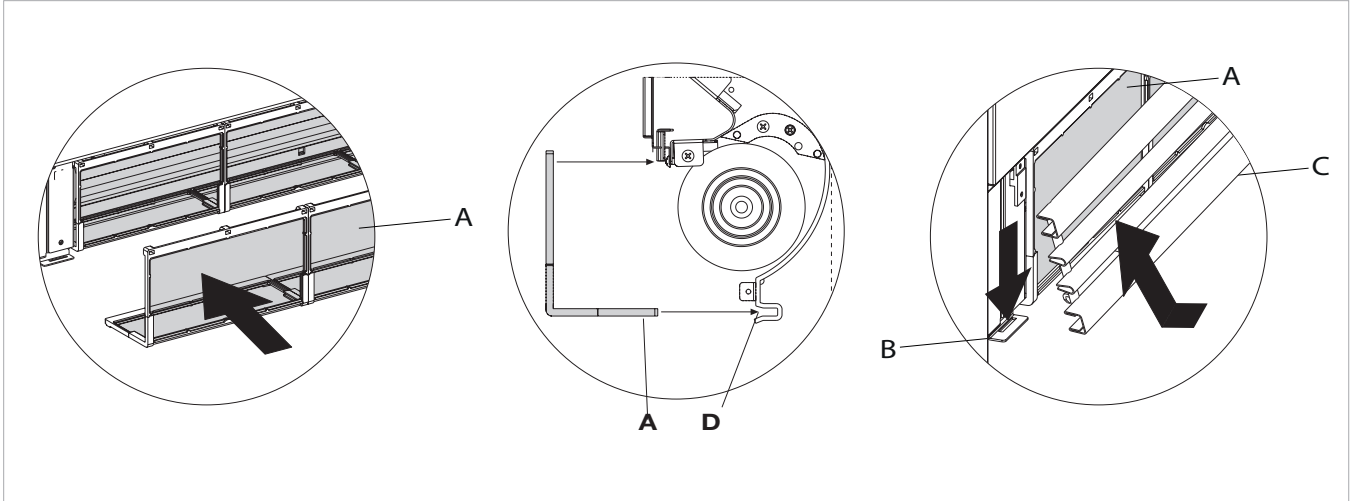
Temizlik işlemlerinin Tamamlanması

- kanatlı ızgarası olan modellerde iki kulağı özel yuvalarına takın, döndürün ve üst kısmın üstünde

hafifçe vurarak kancaya geçirin.

A	Filtresi
B	Izgara kanca

C	Ön ızgara
D	Filtre yuvası



2.16 Enerji tasarrufu için ipuçları

- Filtreleri her zaman temiz tutun;
- iklimlendirilen odanın kapı ve pencerelerini mümkün olduğunca kapalı tutun;
- doğrudan güneş ışığının iklimlendirme yapılan odalarda etkisini mümkün olduğunca azaltın (perde, panjur vb. kullanın)

SORUN GİDERME

3.1 Sorun Giderme

⚠ Su kaçaıklarında ya da çalışma anormalliklerinde güç kaynağını derhal kesin ve su musluklarını kapatın.

⚠ Aşağıdaki anormalliklerden birisi gerçekleşirse yetkili servisi ya da yetkili ve ehliyetli bir kişiye başvurun ama kendiniz müdahale etmeyin.

- Hidrolik devrede sıcak ya da soğuk su olsa bile

- havalandırma etkinleşmiyor.
- Cihaz ısıtma işlevi sırasında su kaçırıyor.
- Cihaz yalnızca soğutma işlevi sırasında su kaçırıyor.
- Cihaz aşırı gürültü yapıyor.
- Ön panelde çiy oluşumları var.

3.2 Anormallikler ve çözümleri tablosu

Bu müdahaleler ehliyetli bir montör ya da uzman bir servis tarafından yapılmalıdır.

Sorun	Nedeni	Çözümü
Yeni sıcaklık ya da işlev ayarlarıyla ilgili olarak gecikmiş havalandırma etkinleştirilmesi.	Devre vanasının açılması ve bunun sonucunda soğuk veya sıcak suyun cihazda dolaşması için zaman gerekiyor.	Devre vanasının açılması için 2-3 dakika bekleyin.
Bu cihaz havalandırmayı etkinleştirmiyor.	Sistemde sıcak ya da soğuk su yok.	Su boylerinin veya soğutucusunun düzgün çalıştığını kontrol edin.
Hidrolik devrede sıcak ya da soğuk su olsa bile havalandırma etkinleşmiyor.	Hidrolik vana kapalı kalıyor.	Vana gövdesini sökün ve su devridaiminin düzeldiğini kontrol edin. 230 V ile ayrıca güç vererek vananın verimliliğini kontrol edin. Etkinleştiriyorsa sorun elektronik kontrol olabilir.
	Fan motoru engelleniyor ya da yanmış.	Motor sargılarını ve fanın serbestçe dönebildiğini kontrol edin.
	Filtre ızgarası açıldığında havalandırmayı durduran mikro şalter doğru kapanmıyor.	Izgara kapatıldığında mikro şalterin etkinleştiğini kontrol edin.
	Elektrik bağlantıları doğru değil.	Elektrik bağlantılarını kontrol edin.
Isıtma işlevi sırasında cihaz su kaçırıyor.	Sistem hidrolik bağlantılarında kaçaıklar.	Kaçak kontrolü yapıp bağlantıları tam olarak sıkın.
	Vana ünitesinde kaçaıklar.	Contaların durumunu kontrol edin.
Ön panelde çiy oluşumları var.	Termal yalıtım gevşemiş.	Lamelli pilin üstünde önde olana dikkat ederek termo akustik yalıtımın konumunun doğru olduğunu kontrol edin.
Hava çıkış ızgarasında su damlaları mevcut.	Nemin yüksek olduğu durumlarda (>%60) özellikle minimum havalandırma hızlarında yoğunlaşma oluşabilir.	Nem düşmeye başlar başlamaz bu olgu ortadan kalkar. Cihazda birkaç damla su olması bir arızayı göstermez.
Cihaz yalnızca soğutma işlevi sırasında su kaçırıyor.	Yoğuşma suyu kasesi tıkalı.	Gideri kontrol etmek için pilin alt kısmına yavaşça bir şişe su dökün ve gerekirse kesiyi temizleyin ve/veya boşaltma borusunun eğimini artırın.
	Doğru boşaltma için yoğuşma suyu giderinin eğimli olması gerekmez.	
	Bağlantı boruları ve vana ünitesi iyi izole edilmemiş.	Boruların yalıtımını kontrol edin.

Sorun	Nedeni	Çözümü
Cihaz garip sesler çıkartıyor.	Fan, yapıya temas ediyor.	Filtrelerin tıkanıklığını kontrol edin ve gerekirse temizleyin
	Fan balansı bozuk.	Balansın bozulması makinede aşırı titreşime sebep olur. Fanı değiştirin.
	Filtrelerin tıkanıklığını kontrol edin ve gerekirse temizleyin	Filtreleri temizleyin

3.3 Teknik veri

FWXV	u.m.	10AATV3(R)	15AATV3(R)	20AATV3(R)
		10ABTV3(R)	15ABTV3(R)	20ABTV3(R)

Soğutma performansları (W 7/12 °C; A 27 °C)

Toplam soğutma kapasitesi	(1)	kW	1,62	2,64	2,99
Αισθητή ψυκτική ικανότητα	(1)	kW	1,25	1,91	2,33
Gizli soğutma kapasitesi	(1)	kW	0,37	0,73	0,66
Su akışı	(1)	L/h	365	483	568
Basınç düşmesi	(1)	kPa	11,0	23,0	22,0

Isıtma performansları (W 45/40 °C; A 20 °C)

Isıtma kapasitesi	(2)	kW	1,96	2,86	3,50
Su akışı	(2)	L/h	380	519	655
Basınç düşmesi	(2)	kPa	11,0	23,0	22,0

HİDROLİK VERİLERİ

Bobin su içeriği		L	0,80	1,13	1,46
Maksimum çalışma basıncı		bar	10	10	10
Hidrolik bağlantılar		" EK		3/4	
Maksimum giriş suyu sıcaklığı		°C	80	80	80
Minimum giriş suyu sıcaklığı		°C	4	4	4

hava verileri

Maksimum fan hızında hava akışı	(3)	m³/h	294	438	567
Orta fan hızında hava akışı		m³/h	210	318	410
Minimum fan hızında hava akışı		m³/h	118	180	247
Statik basınç mevcut		Pa	10	13	13

Elektriksel veri

Güç kaynağı		V/ph/Hz	230-1-50		
Maksimum fan hızında elektrik gücü emilimi		W	19,0	25,0	31,0
Maksimum emilen akım		A	0,16	0,18	0,26
Minimum fan hızında elektriksel güç emilimi		W	4,0	6,0	5,0

SES VERİLERİ

Maksimum ses gücü seviyesi		dB(A)	56	57	58
Maksimum hava akışında ses basıncı seviyesi	(4)	dB(A)	47	48	49
Orta hava akışında ses basınç seviyesi	(4)	dB(A)	38	39	40
Minimum hava akışında ses basıncı seviyesi	(4)	dB(A)	31	33	34

Ağırlık		kg	20	23	26
---------	--	----	----	----	----

(1) Su sıcaklığı 7/12°C, Hava sıcaklığı 27°C BS ve 19°C BU, EN 1397

(2) Su sıcaklığı 45/40°C, Hava sıcaklığı 20°C BS ve 15°C BU, EN 1397

(3) Temiz filtrelerle ölçülen hava akışı

(4) ISO7779'a göre 1 metre mesafede ölçülen ses basıncı

FWXM	u.m.	10AATV3(R)	15AATV3(R)	20AATV3(R)	
Soğutma performansları (W 7/12 °C; A 27 °C)					
Toplam soğutma kapasitesi	(1)	kW	2,12	2,81	3,30
Αισθητή ψυκτική ικανότητα	(1)	kW	1,72	2,11	2,71
Gizli soğutma kapasitesi	(1)	kW	0,40	0,70	0,59
Su akışı	(1)	L/h	365	483	568
Basınç düşmesi	(1)	kPa	8,2	17,1	18,0
Isıtma performansları (W 45/40 °C; A 20 °C)					
Isıtma kapasitesi	(2)	kW	2,21	3,02	3,81
Su akışı	(2)	L/h	380	519	655
Basınç düşmesi	(2)	kPa	9,2	19,1	21,2
HİDROLİK VERİLERİ					
Bobin su içeriği		L	0,80	1,13	1,46
Maksimum çalışma basıncı		bar	10	10	10
Hidrolik bağlantılar		" EK	3/4		
Maksimum giriş suyu sıcaklığı		°C	80	80	80
Minimum giriş suyu sıcaklığı		°C	4	4	4
hava verileri					
Maksimum fan hızında hava akışı	(3)	m³/h	294	438	567
Orta fan hızında hava akışı		m³/h	210	318	410
Minimum fan hızında hava akışı		m³/h	118	180	247
Statik basınç mevcut		Pa	10	13	13
Elektriksel veri					
Güç kaynağı		V/ph/Hz	230-1-50		
Maksimum fan hızında elektrik gücü emilimi		W	19,0	20,0	29,0
Maksimum emilen akım		A	0,16	0,18	0,26
Minimum fan hızında elektriksel güc emilimi		W	4,0	6,0	5,0
SES VERİLERİ					
Maksimum ses gücü seviyesi		dB(A)	53	54	55
Maksimum hava akışında ses basıncı seviyesi	(4)	dB(A)	42	44	46
Orta hava akışında ses basınç seviyesi	(4)	dB(A)	34	34	35
Minimum hava akışında ses basıncı seviyesi	(4)	dB(A)	25	26	26
Ağırlık		kg	12	15	18

(1) Su sıcaklığı 7/12°C, Hava sıcaklığı 27°C BS ve 19°C BU, EN 1397

(2) Su sıcaklığı 45/40°C, Hava sıcaklığı 20°C BS ve 15°C BU, EN 1397

(3) Temiz filtrelerle ölçülen hava akışı

(4) ISO7779'a göre 1 metre mesafede ölçülen ses basıncı

DAIKIN EUROPE N.V.

Zandvoordestraat 300, B-8400 Oostende, Belgium

Copyright 2019 Daikin

cod. N420249A - 04



MANUAL DE INSTALAÇÃO

Daikin Altherma Ventiloconvector

FWXV10ABTV3(R)
FWXV15ABTV3(R)
FWXV20ABTV3(R)
FWXV10AATV3(R)
FWXV15AATV3(R)
FWXV20AATV3(R)
FWXM10AATV3(R)
FWXM15AATV3(R)
FWXM20AATV3(R)

Em primeiro lugar, gostaríamos de lhe agradecer por ter escolhido um dos nossos produtos.

Estamos certos de que ficará satisfeito com o produto porque este representa a tecnologia de ponta no setor de aparelhos de ar condicionado domésticos.

Ao seguir as sugestões contidas no presente manual, a bomba de calor água-água que adquiriu funcionará sem problemas, proporcionando-lhe temperaturas ambiente ideais com custos energéticos mínimos.

DAIKIN EUROPE N.V.

Conformidade

Esta unidade está em conformidade com as diretivas Europeias:

- Diretiva de baixa tensão 2014/35/EU

- Compatibilidade eletromagnética 2014/30/UE;

Símbolos

Os pictogramas no capítulo seguinte fornecem a informação necessária para a utilização correta e segura

da máquina de forma rápida e inequívoca

Pictogramas editoriais

U Utilizador

- Refere-se às páginas que contêm instruções ou informação para o utilizador.

I Instalador

- Refere-se às páginas que contêm instruções ou informação para o instalador

S Serviço

- Refere-se às páginas que contêm instruções ou informação para o instalador do SERVIÇO DE ASSISTÊNCIA TÉCNICA DO CLIENTE.

Pictogramas de segurança

⚠ Perigo genérico

- Sinaliza ao pessoal que o funcionamento descrito poderá causar lesões físicas caso não seja realizado de acordo com as regras de segurança.

⚠ Perigo de alta tensão

- Sinaliza ao pessoal que o funcionamento descrito poderá causar eletrocussão caso não seja realizado de acordo com as regras de segurança.

⚠ Perigo devido a calor

- Sinaliza ao pessoal que o funcionamento descrito poderá causar queimaduras caso não seja realizado de acordo com as regras de segurança.

⊘ Proibido

- Refere-se a ações que não devem ser absolutamente realizadas.

Geral

1.1	Avisos gerais	4
1.2	Regras de segurança fundamentais	4
1.3	Gama de produtos	5
1.4	Dimensões gerais.	6

Instalação

2.1	Posicionamento da unidade	7
2.2	Modos de instalação	7
2.3	Distâncias mínimas para a instalação	7
2.4	Acesso ao corpo da máquina.	8
2.5	Remove o lado.	9
2.6	Instalação vertical	9
2.7	Instalação horizontal ou no teto	10
2.8	Ligações hidráulicas	10
2.9	Descarga de condensação.	11
2.10	Enchimento do sistema	12
2.11	Evacuação de ar durante o enchimento do sistema.	12
2.12	Ligações eléctricas.	13
2.13	Manutenção.	13
2.14	Limpeza do exterior	13
2.15	Limpeza do filtro de sucção de ar	14
2.16	Dicas de poupança de energia.	15

Resolução de problemas

3.1	Resolução de problemas	16
3.2	Tabela de avarias e soluções	16
3.3	Dados técnicos	18

GERAL

1.1 Avisos gerais

- ⚠ Após o desembalamento, certifique-se de que todos os componentes estão presentes. Caso contrário, contacte o seu instalador da sua filial DAIKIN.
- ⚠ Os aparelhos DAIKIN devem ser instalados por um instalador autorizado que, após a conclusão do trabalho, emitirá uma declaração de conformidade ao cliente no que diz respeito às leis em vigor e as indicações dadas pela DAIKIN na brochura de instruções fornecida juntamente com o aparelho.
- ⚠ Estes aparelhos foram concebidos para ambientes de condicionamento e/ou aquecimento e devem destinar-se exclusivamente a esta utilização e compatibilidade com as respetivas características de desempenho. A DAIKIN EUROPE N.V. não aceita qualquer responsabilidade, quer contratual quer extra-contratual, por quaisquer danos causados a pessoas, animais ou propriedade como resultado de instalação, ajuste ou manutenção incorretos ou utilização imprópria.
- ⚠ No caso de fugas de água, rode o interruptor principal do sistema para "DESATIVAR" e feche as torneiras da água. Logo que possível, contacte o departamento de assistência técnica da DAIKIN ou pessoal profissionalmente qualificado e não intervenha pessoalmente no aparelho.
- ⚠ A série FWXM integrada não possui uma grelha ou placa de cobertura. Forneça proteções de segurança e grelhas de entrada/saída de ar para evitar o contacto accidental com o dispositivo.
- ⚠ Se o aparelho não for utilizado por um período prolongado, deve realizar as seguintes operações:
 - Rode o interruptor principal do sistema para "DESATIVAR"
 - Feche as torneiras da água
 - Se existir o risco de congelamento, certifique-se de que adicionou anti-congelante ao sistema, caso contrário, esvazie o sistema.
- ⚠ Se a temperatura ambiente for muito baixa ou muito alta causará danos na saúde, sendo também um desperdício de energia desnecessário. Evite o contacto prolongado com o fluxo de ar direto.
- ⚠ Não deixe a divisão fechada por períodos prolongados. Abra periodicamente as janelas para assegurar uma corrente mudança de ar.
- ⚠ Esta brochura de instruções é uma parte integral do aparelho e conseqüentemente deve ser guardada com cuidado e deve acompanhar SEMPRE o aparelho, mesmo quando este for entregue a um novo proprietário ou utilizador ou transferido para outro sistema. Caso a perca ou danifique, contacte o centro de assistência técnica DAIKIN local.
- ⚠ Todas as intervenções de reparação ou manutenção devem ser realizadas pelo departamento de assistência técnica ou por pessoal profissionalmente qualificado, conforme previsto na presente brochura. Não modifique ou intervenha no aparelho, pois poderá criar situações de perigo e o fabricante não assumirá qualquer responsabilidade por quaisquer danos causados.
- ⚠ Perigo de queimaduras - tenha cuidado ao tocar

1.2 Regras de segurança fundamentais

- ⊖ Lembre-se que algumas regras de segurança fundamentais devem ser cumpridas quando utilizar um produto que utilize eletricidade e água, tais como:
 - ⊖ A unidade pode ser usada por crianças com mais de 8 anos e por pessoas com capacidades físicas, sensoriais ou mentais reduzidas, ou sem experiência ou conhecimento necessário, desde que sejam monitoradas ou depois de terem recebido instruções sobre o uso seguro de a unidade e ter entendido os perigos envolvidos. As crianças não devem brincar com o aparelho. A limpeza e manutenção que devem ser realizadas pelo usuário não devem ser realizadas por crianças sem supervisão.
 - ⊖ É proibido tocar no aparelho com as mãos ou corpo molhadas quando estiver descalço.
 - ⊖ É proibido realizar qualquer limpeza antes de desligar o aparelho da alimentação elétrica ao DESATIVAR o interruptor principal do sistema.
 - ⊖ É proibido modificar os dispositivos de segurança ou de ajuste sem a autorização e indicações do fabricante.
 - ⊖ É proibido puxar, cortar ou atar os cabos elétricos presos ao aparelho, mesmo que estejam desligados da alimentação elétrica.

- ⊖ É proibido picar objetos ou outra coisa através das grelhas de entrada ou saída.
- ⊖ É proibido abrir as portas que dão acesso às peças internas do aparelho sem DESATIVAR primeiramente o interruptor principal do sistema.
- ⊖ É proibido eliminar ou deixar ao alcance das crianças os materiais de embalagem que possam tornar-se uma fonte de perigo.
- ⊖ É proibido subir para o aparelho ou pousar qualquer objeto sobre este.
- ⊖ As peças externas do aparelho podem atingir temperaturas superiores a 70°C.

1.3 Gama de produtos

Existem 2 tipos de convetores da bomba de calor, FWXV e FWXM, cada um dos quais é oferecido em 3 tamanhos com diferentes desempenhos e dimensões.

Série FWXV

refrigerador-convetor com armário em metal.

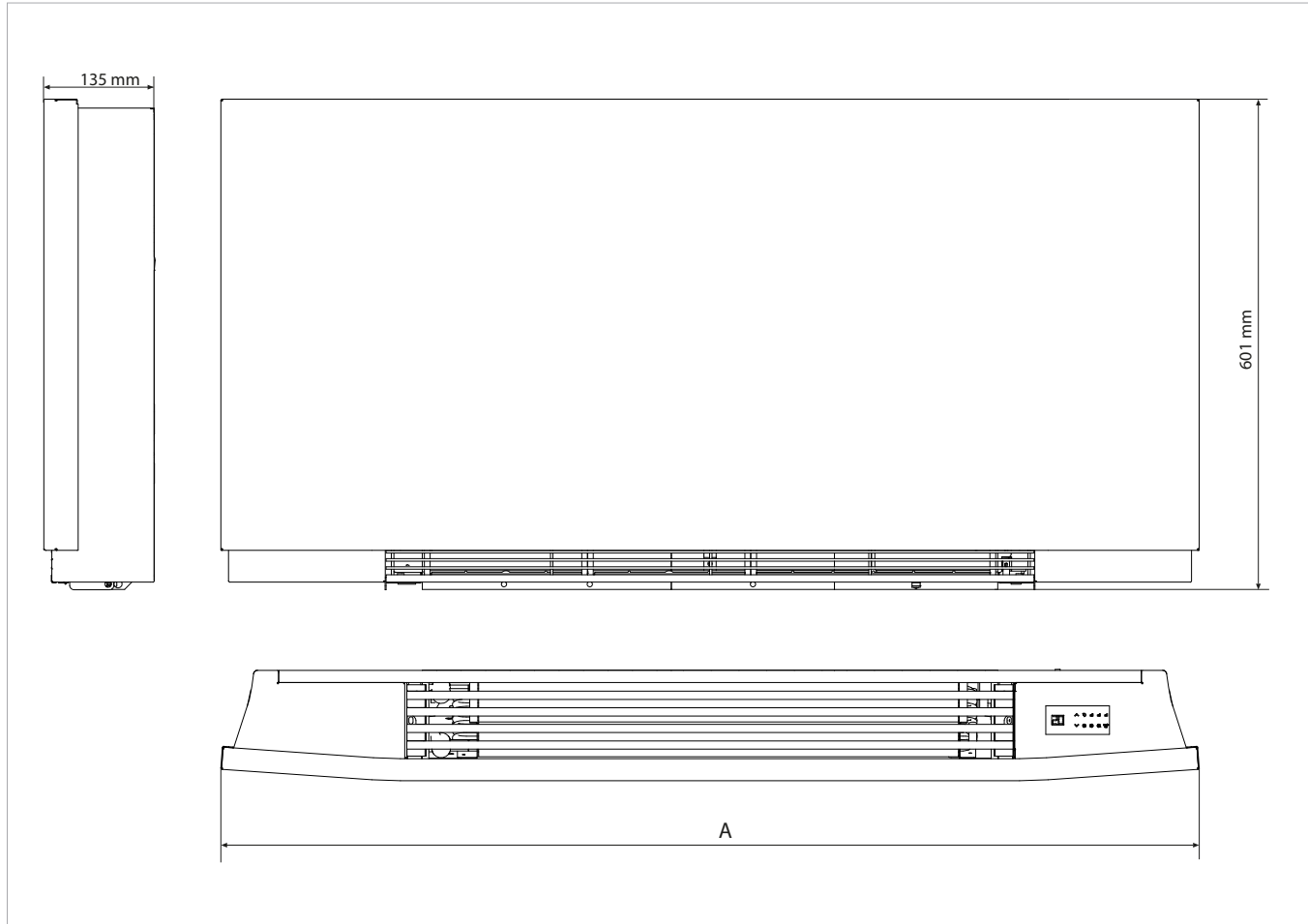
Série FWXM

Refrigerador-convetor integrado sem painéis.

1.4 Dimensões gerais do convetor da bomba de calor

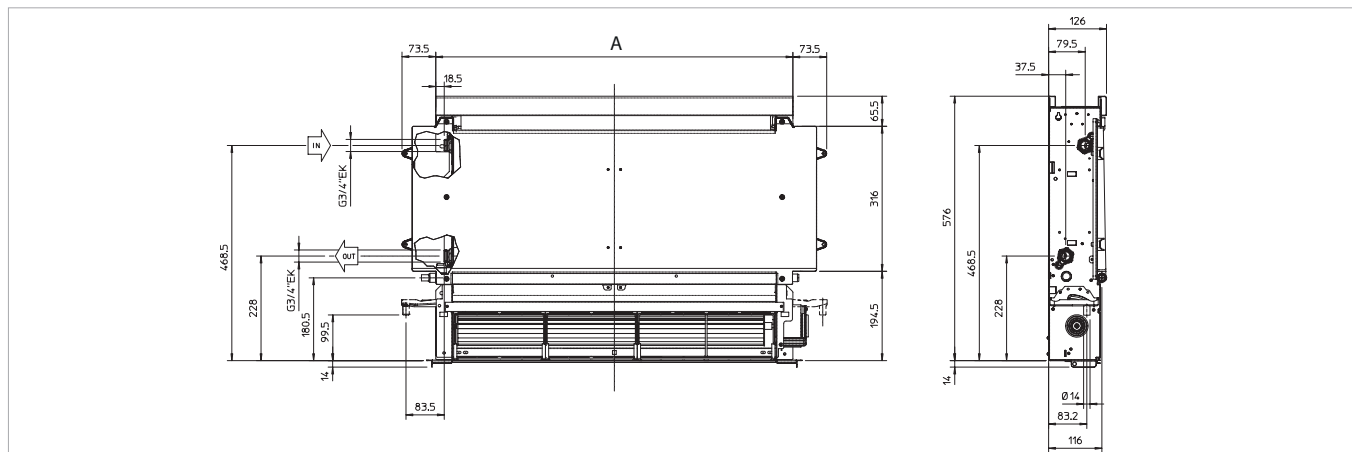
	U.M.	FWXV10AATV3(R)	FWXV15AATV3(R)	FWXV20AATV3(R)
		FWXV10ABTV3(R)	FWXV15ABTV3(R)	FWXV20ABTV3(R)
A	mm	999	1199	1399

FWXV



	U.M.	FWXM10AATV3(R)	FWXM15AATV3(R)	FWXM20AATV3(R)
A	mm	578	778	978

FWXM



INSTALAÇÃO

2.1 Posicionamento da unidade

- ⚠ Evite instalar a unidade nas proximidades de:
- posições sujeitas a exposição à luz solar direta;
 - nas proximidades de fontes de calor;
 - em áreas ou locais húmidos com contacto provável com água;
 - em locais com vapores de óleo
 - locais sujeitos a altas frequências.

- ⚠ Certifique-se de que:
- a parede na qual a unidade será instalada é suficientemente robusta para suportar o peso;

- a parte da parede visada não possui passagens de tubos ou de cabos elétricos;
- a parede visada é perfeitamente plana;
- dispõe de uma área livre de obstáculos que possam interferir com o fluxo de ar de entrada e saída;
- a parede de instalação é preferencialmente uma parede de perímetro exterior de modo a permitir a descarga de condensação no exterior;
- no caso de instalação no teto (série FWXM), o fluxo de ar não é direcionado para as pessoas.

2.2 Modos de instalação

As seguintes descrições das diversas fases de montagem e as respetivos conceitos referem-se à versão da máquina com acessórios à esquerda.

As operações para a montagem de máquinas com acessórios à direita são exatamente as mesmas.

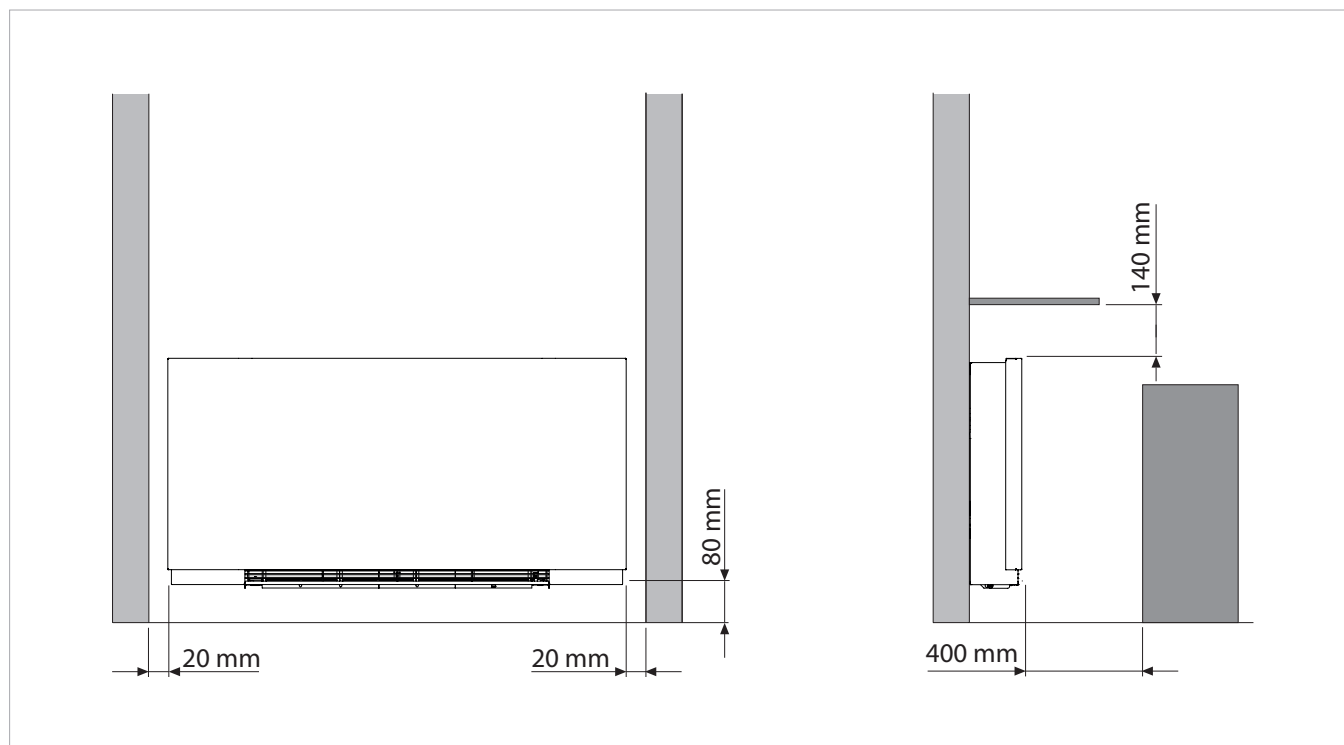
Apenas as imagens devem ser consideradas como uma imagem de espelho.

De modo a assegurar que a instalação é realizada

corretamente e que o aparelho terá um desempenho perfeito, siga cuidadosamente as instruções indicadas no presente manual. O desrespeito das regras indicadas não só pode causar avarias do aparelho, como também invalidará a garantia e, desse modo, a DAIKIN EUROPE N.V. não responderá por quaisquer danos causados a pessoas, animais ou propriedade.

2.3 Distâncias mínimas para a instalação

A figura indica as distâncias mínimas de montagem entre o refrigerador-convetor de montagem na parede e o mobiliário presente na divisão.



2.4 Acesso ao corpo da máquina

Para acessar o interior da máquina, siga os procedimentos abaixo.

Retire a grelha superior:

- desaperte os parafusos de fixação
- Solte os parafusos de fixação da grelha superior

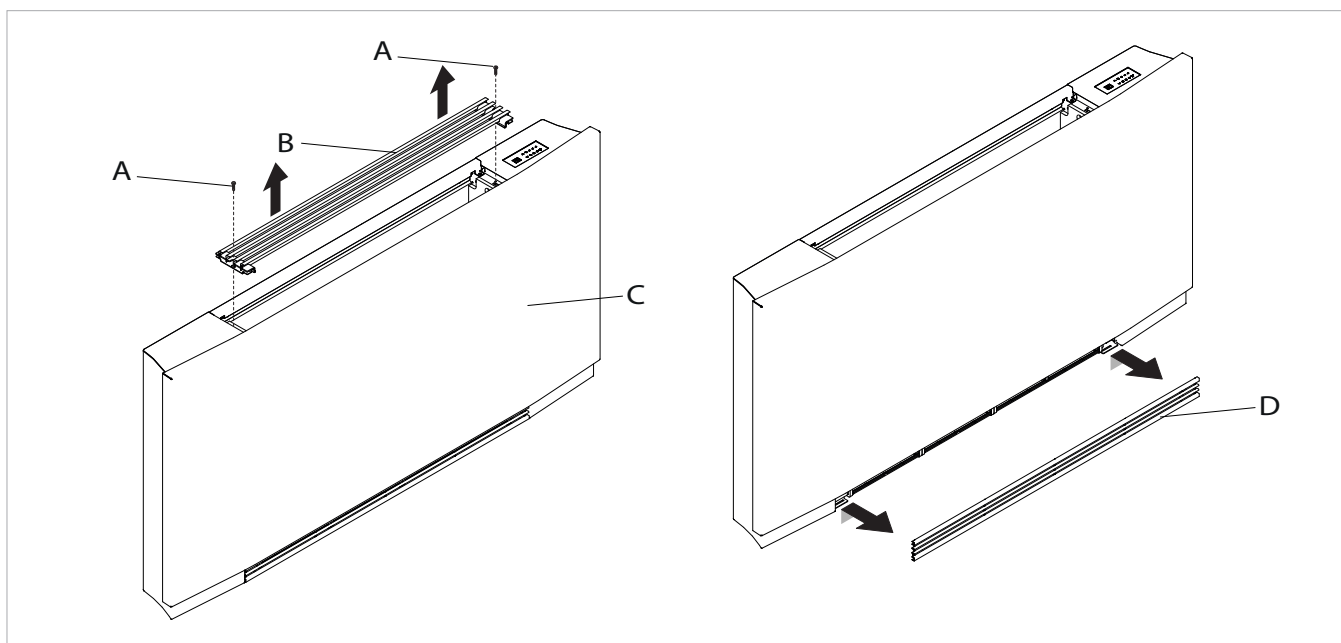
- remova a grelha

Remova a grade frontal:

- extrair a grelha até estar completamente fora do assento
- incline a grelha
- deslize para fora

A	Parafusos de fixação
B	Grelha superior

C	Painel frontal
D	Grelha frontal



69/5000

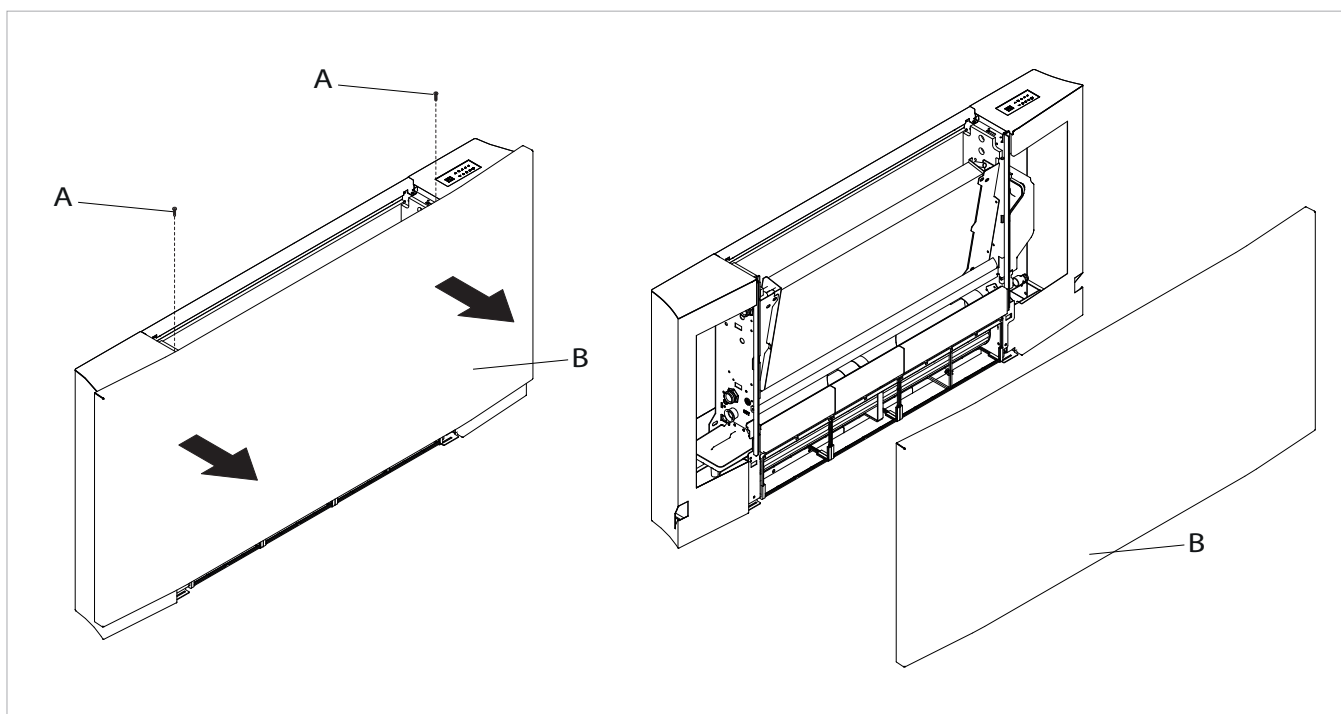
Remova o painel frontal:

- solte os parafusos de fixação

- remova o painel

A	Parafusos de fixação
----------	----------------------

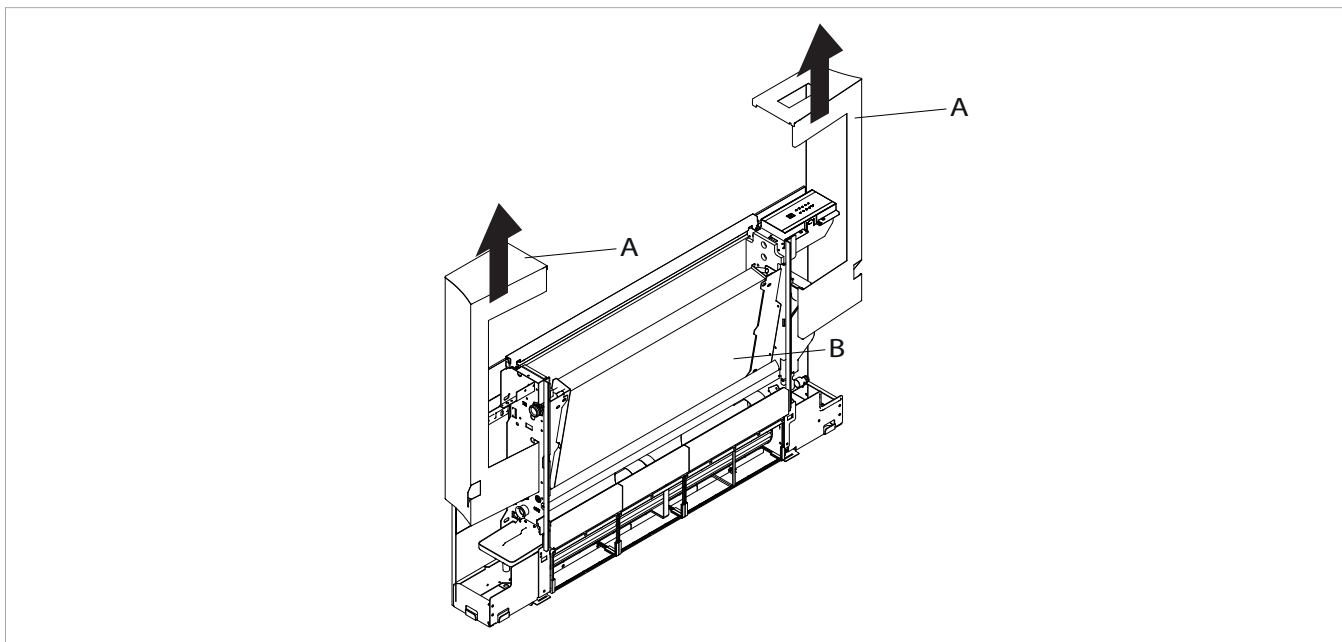
B	Painel frontal
----------	----------------



2.5 Remova o lado

Para remover o lado:
 - remova os lados para cima

A	Lado
B	Corpo da máquina



2.6 Instalação vertical no pavimento ou na parede

Utilizando o modelo de papel, trace a posição dos dois suportes de fixação na parede. Utilize uma broca adequada para efetuar os orifícios e insira os parafusos borboleta (2 para cada suporte), fixe os dois suportes. Não aperte os parafusos excessivamente, de modo que os suportes possam ser ajustados com um nível de bolha. Aperte os quatro parafusos totalmente para bloquear os dois suportes. Instale a unidade no nível (com uma tolerância de 1-2% possível em direção ao tubo de drenagem para facilitar o fluxo de água). Verifique a estabilidade, movendo os suportes manualmente para a direita e para a esquerda, para cima e para baixo.

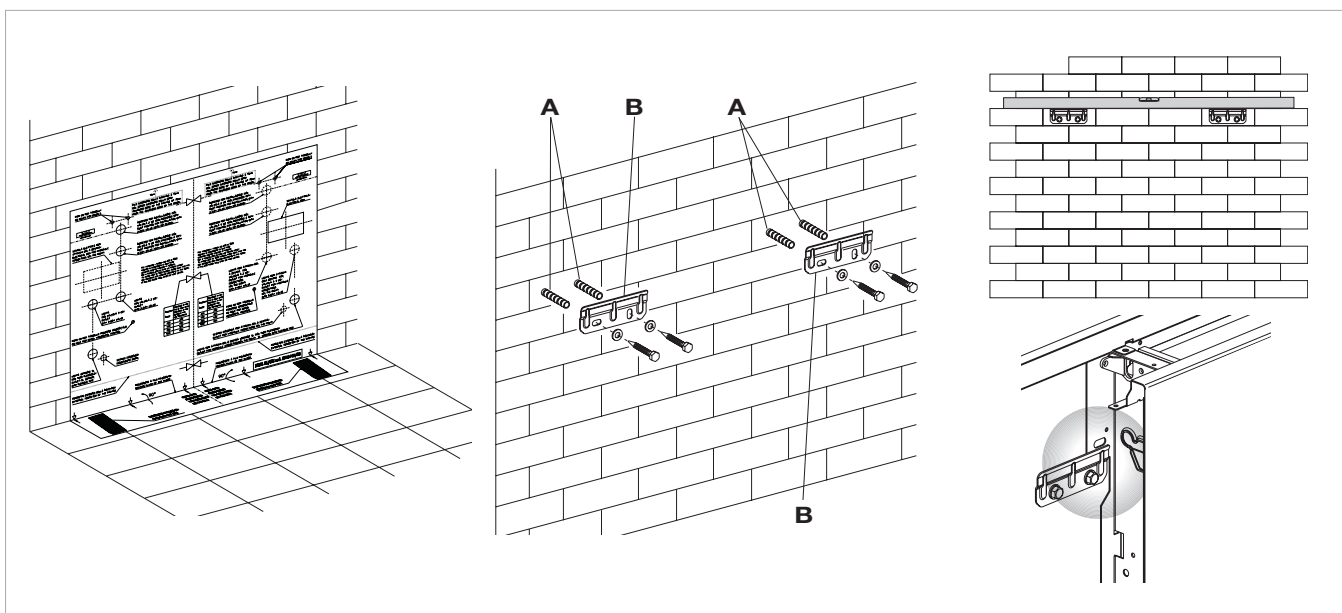
Monte a unidade, verificando se esta encaixa corretamente nos suportes e se está estável.

Nota: para facilitar a conexão dos tubos às conexões do fancoil, instale uma caixa embutida na própria saída dos tubos.

A posição correta da caixa é indicada no modelo de instalação.

A	parafusos de borboleta
----------	------------------------

B	suportes
----------	----------



2.7 Instalação horizontal ou no teto

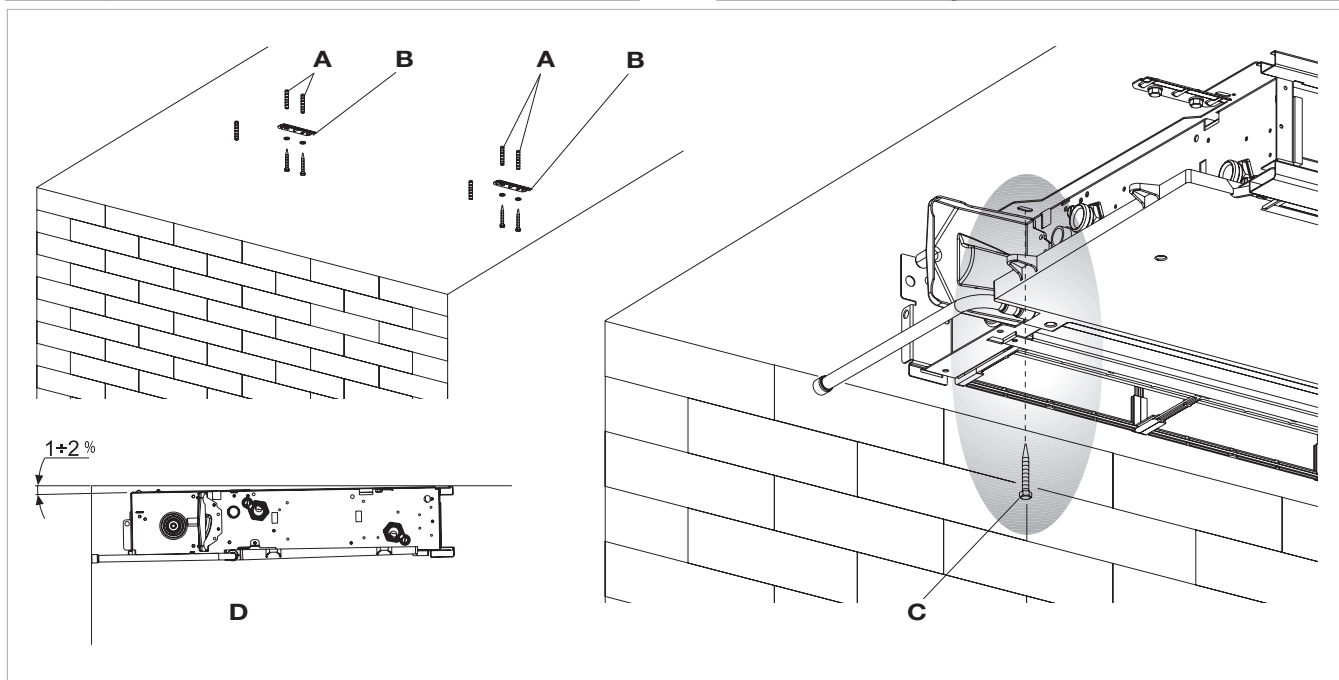
Utilizando o modelo de papel, trace no teto a posição dos dois suportes de fixação e dos dois parafusos traseiros. Utilize uma broca adequada, efetue os orifícios e insira os parafusos borboleta (2 para cada suporte), fixe os dois suportes. Não aperte os parafusos excessivamente. Posicione a máquina nos dois suportes, mantendo-a em posição e, em seguida, fixe os dois parafusos nos parafusos borboleta traseiros, um de cada lado. Instale a unidade no nível (com uma tolerância de 1-2% possível em direção ao tubo de drenagem para facilitar o fluxo de água).

Aperte totalmente os 6 parafusos de fixação. Para a instalação da série FWXV, estão disponíveis kits de acessórios para bacia de recolha de condensação horizontal EKM(10/15/20)COH.

⚠ Verifique cuidadosamente a inclinação do tubo de escape. Qualquer inclinação contrária da linha de descarga pode causar fuga de água

A	Parafusos de borboleta
B	Suportes

C	Parafusos
D	Tubo de drenagem



2.8

FWXV/FWXM	U.M.	10AATV3(R)	15AATV3(R)	20AATV3(R)
	U.M.	10ABTV3(R)	15ABTV3(R)	20ABTV3(R)
Diâmetro do gasoduto	mm	14	16	18

NB: o diâmetro nominal, salvo indicação em contrário, refere-se sempre ao diâmetro interno.

Para evitar a formação de condensação na superfície, é sempre recomendável instalar kits de válvulas elétricas, exceto no caso em que um controle elétrico (por exemplo, cabeça eletrotérmica) é fornecido a montante do aparelho. A escolha e o tamanho das linhas hidráulicas devem ser efetuadas por um especialista que deve proceder de acordo com as regras de boas práticas e as leis em vigor, tendo em conta que os tubos de menor dimensão causam uma avaria.

Para efetuar as ligações:

- posicione as linhas hidráulicas
- aperte as ligações utilizando o método "chave de bocas e contra chave de bocas"
- verifique eventuais fugas de líquido
- revista as ligações com material de isolamento.

As linhas hidráulicas e as juntas devem estar isoladas termicamente.

Evite o isolamento parcial dos tubos.

Não aperte excessivamente de modo a evitar danos no isolamento.

Utilize uma pasta de cânhamo e verde para vedar as ligações roscadas; o uso de Teflon é aconselhável quando existe anti-congelante no circuito hidráulico.

2.9 Descarga de condensação

A rede de descarga de condensação deve ter o tamanho adequado (diâmetro interno mínimo do tubo de 16 mm) e a tubagem deve ser posicionada de modo a manter uma inclinação constante, nunca inferior a 1%. Na instalação vertical, o tubo de descarga está ligado diretamente ao tabuleiro de descarga, posicionado na parte inferior do ombro lateral por baixo dos acessórios hidráulicos. Numa instalação horizontal, o tubo de descarga está ligado ao tubo já instalado na máquina.

- Se possível, direcione o fluxo de líquido de condensação diretamente para uma calha ou para uma descarga de "águas pluviais".
- Quando efetuar a descarga diretamente para os sistemas de esgoto, é aconselhável fazer um sifão para evitar o retorno de maus cheiros pelo tubo na direção da divisão. A curva do sifão deve ser estar mais baixa do que o recipiente coletor de condensação.
- Se a condensação tiver de ser descarregada para um recipiente, esta deve ser aberta para a atmosfera e o tubo não deve ser imerso na água de modo a evitar

problemas de capacidade adesiva e contrapressão que interfira com o fluxo de saída normal.

- Se existir uma diferença de altura que possa interferir com o fluxo de saída da condensação, deve ser montada uma bomba:
- numa instalação vertical, monte a bomba sob o tabuleiro de drenagem lateral;
- numa instalação horizontal, a posição da bomba deve ser decidida de acordo com os requisitos específicos. Tais bombas encontram-se comumente à venda.

Contudo, após concluir a instalação, é aconselhável verificar o fluxo de saída correto do líquido de condensação, vertendo lentamente cerca de ½ l de água para o tabuleiro de recolha em aproximadamente 5-10 minutos.

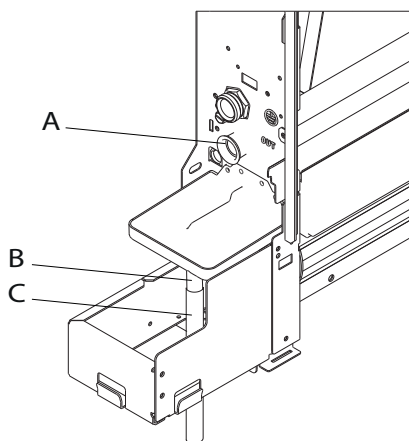
Montagem do tubo descarga de condensação na versão vertical

Ligue a união de descarga do tabuleiro de recolha de condensação a um tubo para o fluxo de saída do líquido, bloqueando-a adequadamente. Verifique se a extensão

do coletor de gotejamento está presente e instalada corretamente.

A	acessório de descarga
B	tubo para o fluxo de saída do líquido - Ø14 mm

C	gotejamento de extensão
----------	-------------------------



Montagem do tubo descarga de condensação na versão horizontal

Para montar o recipiente horizontal na série FWXM, consulte as instruções incluídas nos kits EKM(10/15/20) COH.

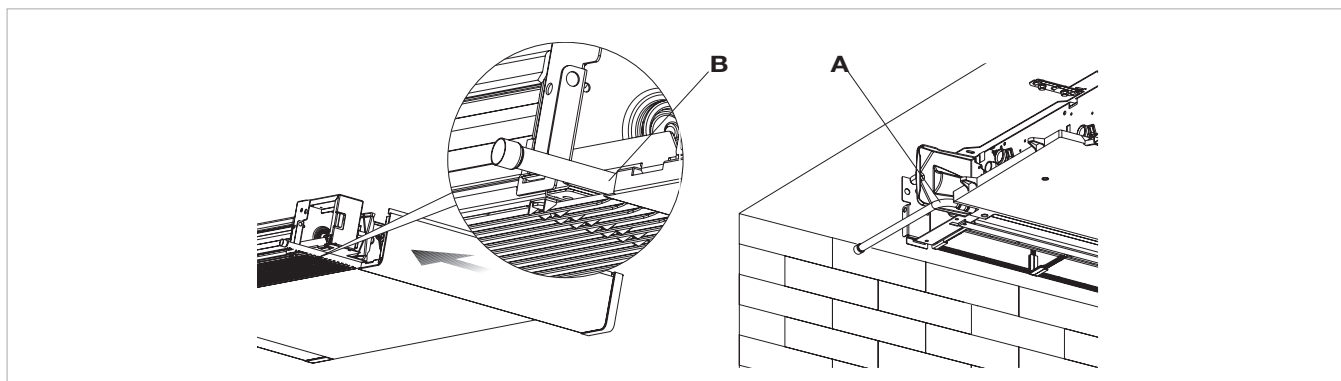
- verifique se o tubo em "L" e a mangueira de borracha flexível estão ligadas corretamente ao recipiente.
- deslize a parte lateral da máquina para dentro, mantendo o tubo na posição vertical contra a grelha frontal.
- feche totalmente a parte lateral, verificando se o tubo permanece bloqueado na ranhura especial na parte lateral.

Note bem: no caso da instalação horizontal, observe cuidadosamente as seguintes precauções:

- certifique-se de que a máquina está instalada perfeitamente nivelada ou com uma ligeira inclinação na direção da descarga de condensação;
- isole cuidadosamente os tubos do fluxo de entrada e de saída até à união da máquina, de modo a evitar quaisquer gotas de condensação fora do mesmo recipiente de recolha;
- isole o tubo de descarga de condensação do recipiente ao longo do respetivo comprimento.

A tubos de ligação

B furto



2.10 Enchimento do sistema

Quando efetuar o arranque do sistema, certifique-se de que o escudo de bloqueio da unidade hidráulica está aberto. Se não houver energia elétrica e a válvula térmica

já tenha sido alimentada, utilize a tampa especial para pressionar o batente da válvula a abrir.

2.11 Evacuação de ar durante o enchimento do sistema

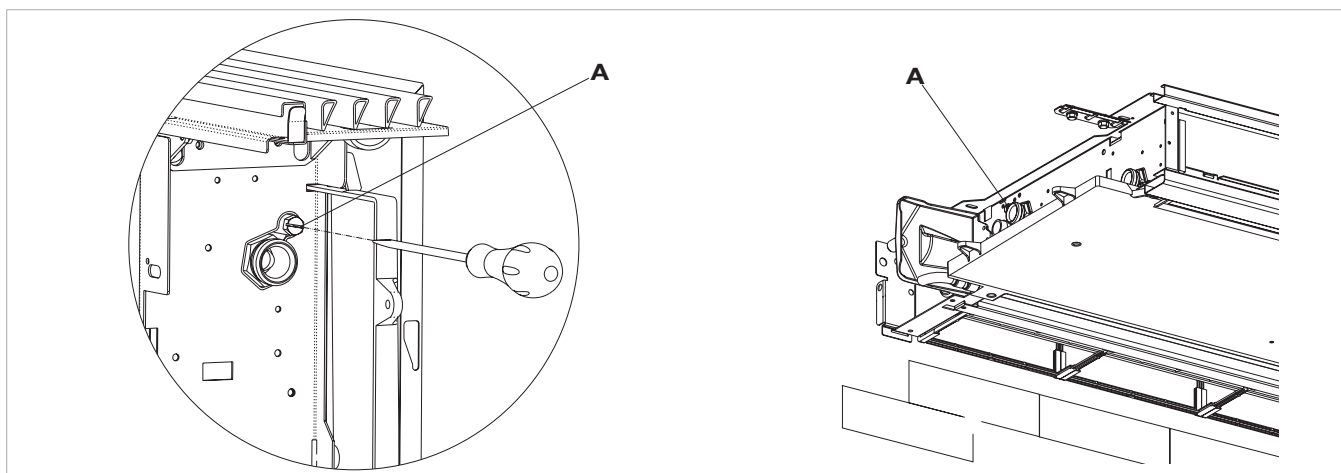
- Abra todos os dispositivos de interceção do sistema (manuais ou automáticos);
- Inicie o enchimento, abrindo lentamente a torneira de enchimento de água do sistema;
- Para a instalação numa posição vertical, pegue numa chave de fendas e atue no respiro mais elevado da bateria; no caso de aparelhos instalados numa posição horizontal, atue no respiro situado na posição mais elevada.

- Quando a água começa a sair das válvulas de respiro do aparelho, feche-as e prossiga com o enchimento até atingir o valor nominal do sistema.

Verifique o vedante hidráulico das juntas de vedação.

É aconselhável repetir estas operações após o aparelho estar a funcionar há algumas horas e verificar periodicamente a pressão do sistema.

A Ventilação da bateria



2.12 Ligações eléctricas

Efetue as ligações eléctricas de acordo com os requisitos definidos nas secções de Avisos gerais e Regras de segurança fundamentais, tendo como referência os padrões presentes nos manuais de instalação e dos acessórios.

Antes de realizar qualquer trabalho, certifique-se de que a

alimentação está desativada.

A unidade deve estar ligada à alimentação eléctrica através de um interruptor multipolar com uma abertura de contacto mínima de pelo menos 3 mm ou com um dispositivo que permita a desativação completa do dispositivo sob as condições de sobretensão de categoria III.

2.13 Manutenção

A manutenção de rotina é indispensável para manter o refrigerador-convetor DAIKIN em perfeitas condições de funcionamento, seguro e fiável ao longo dos anos. Esta pode realizar-se a cada seis meses para algumas

intervenções e anualmente para outras, pelo Serviço de Assistência Técnica, tecnicamente autorizado e preparado, utilizando sempre peças sobresselentes originais.

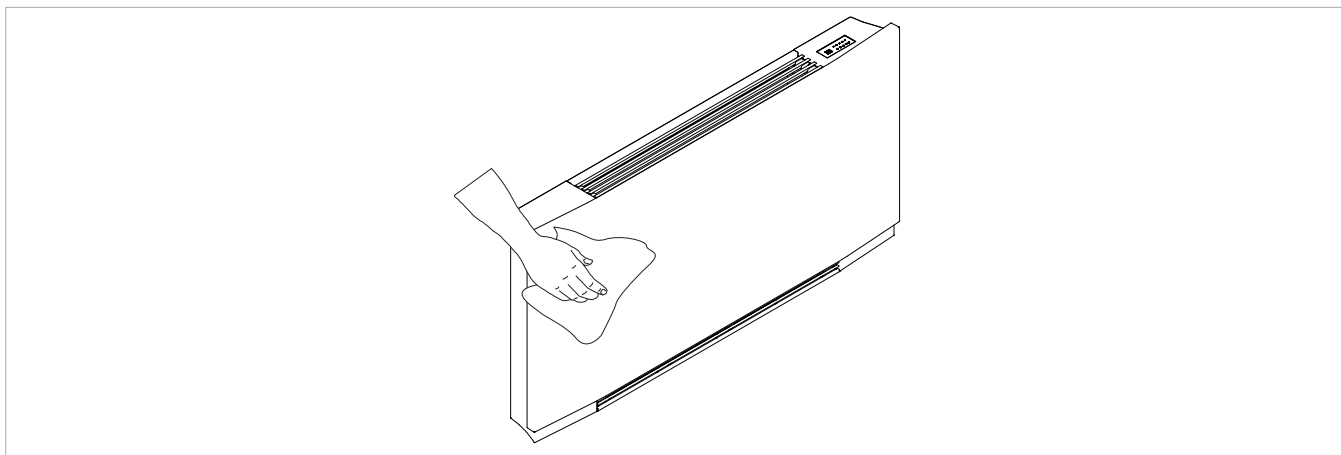
2.14 Limpeza do exterior

⚠ Antes de cada intervenção de limpeza e manutenção, desligue o aparelho da alimentação eléctrica, desativando o interruptor principal.

⚠ Aguarde até que as peças arrefeçam, de modo a evitar o risco de queimaduras.

⚠ Não utilize esponjas abrasivas ou detergentes abrasivos ou corrosivos, de modo a evitar danificar as superfícies pintadas.

Quando necessário, limpe as superfícies externas do refrigerador-convetor DAIKIN com um pano úmido macio.



2.15 Limpeza do filtro de sucção de ar

Após um período de utilização contínua e tendo em conta a concentração de impurezas no ar ou quando pretender

reiniciar a instalação após um período de inatividade, procedendo conforme descrito.

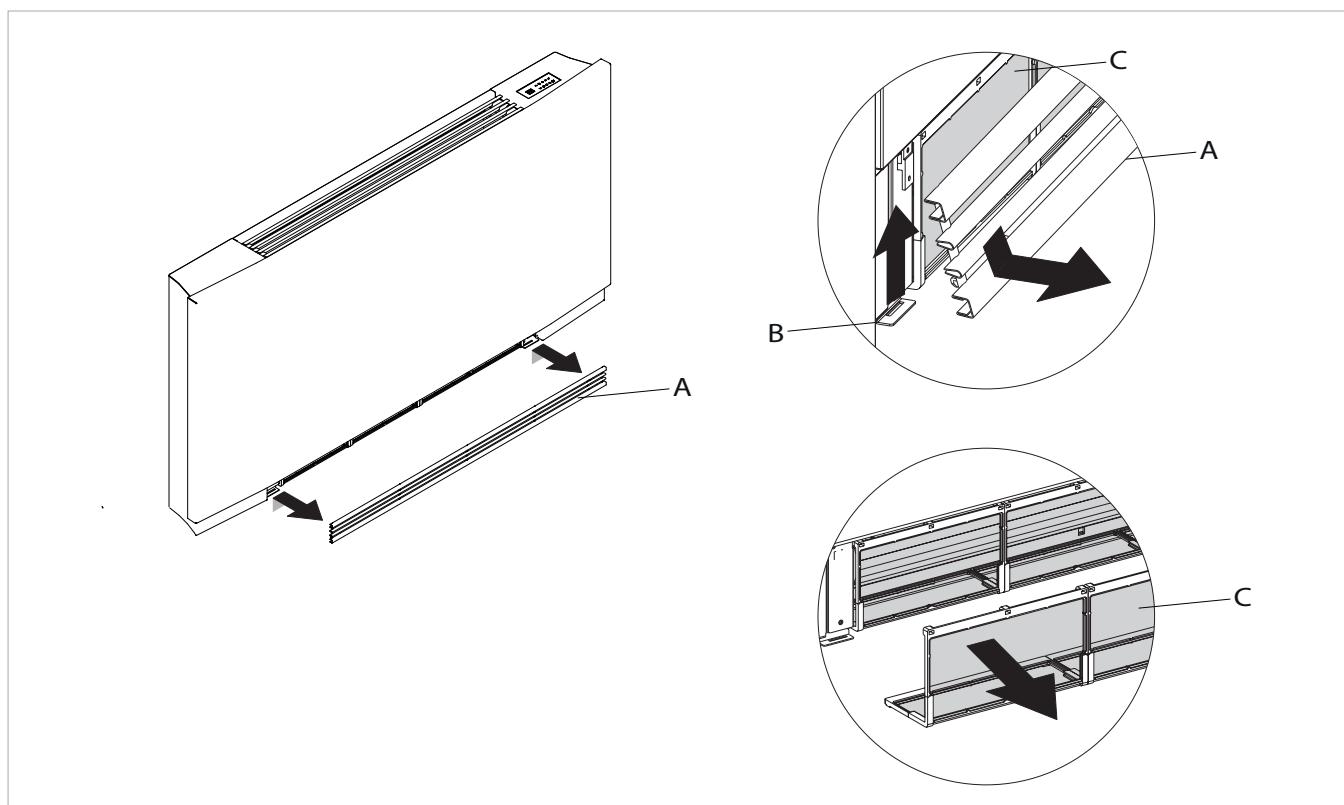
Extração das células de filtro nas versões com grelha de aspiração com aletas

- extraia a grelha frontal, levantando-a ligeiramente e rode-a até sair da respetiva sede;

- extraia o filtro, puxando-o horizontalmente para fora.

A	Grelha frontal
B	Ver grelha

C	Filtro
----------	--------



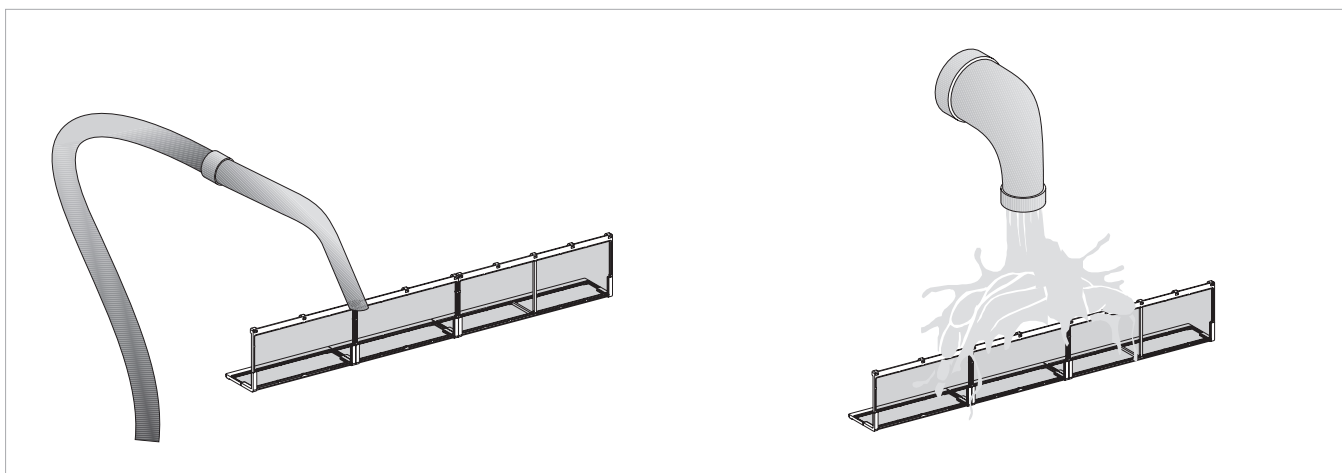
Limpeza das sedes de filtração

- aspire o pó com um aspirador
- lave o filtro com água corrente sem utilizar detergentes ou solventes e deixe-o secar.

⚠ O aparelho está equipado com um interruptor de segurança que impede o funcionamento do refrigerador com o painel móvel em falta ou fora da posição.

⊖ É proibido utilizar a unidade sem os filtros de rede.

⚠ Após concluir a limpeza do filtro, verifique se o painel está instalado corretamente.

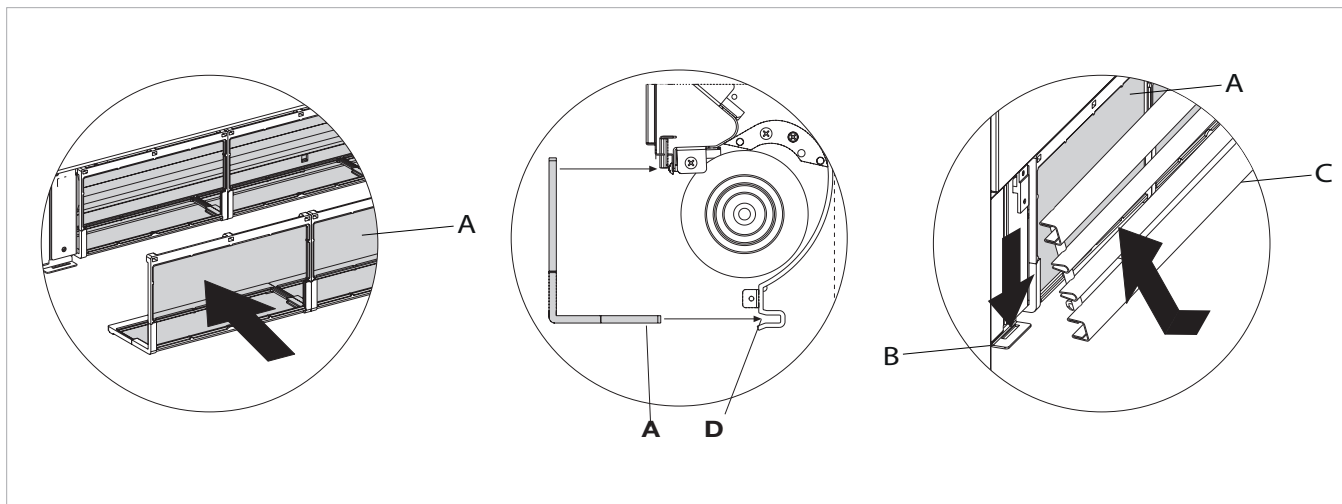


Conclusão das operações de limpeza

- No caso das versões com uma grelha com aletas, insira os dois entalhes nas ranhuras especiais, rode e enganche, batendo ligeiramente na parte superior.

A	Filtro
B	Gancho de grelha

C	Grelha frontal
D	O alojamento do filtro



2.16 Dicas de poupança de energia

- Mantenha os filtros sempre limpos;
- na medida do possível, mantenha as portas e janelas fechadas na divisão que recebe ar condicionado;
- sempre que possível, limite o efeito dos raios solares diretos nas divisões que recebem ar condicionado (utilize cortinas, persianas, etc.)

RESOLUÇÃO DE PROBLEMAS

3.1 Resolução de problemas

⚠ No caso de fugas de água ou funcionamento anómalo, corte o fornecimento de energia imediatamente e feche as torneiras da água.

⚠ Se ocorrer uma das seguintes anomalias, contacte um centro de assistência autorizado ou uma pessoa qualificada autorizada, mas não intervenha pessoalmente.

- A ventilação não ativa mesmo se houver água quente ou fria no circuito hidráulico.
- O aparelho apresenta uma fuga de água durante a função de aquecimento.
- O aparelho apresenta uma fuga de água apenas durante a função de arrefecimento.
- O aparelho emite ruído excessivo.
- Ocorrem formações de orvalho no painel frontal.

3.2 Tabela de avarias e soluções

As intervenções devem ser realizadas por um instalador qualificado ou por um centro de assistência especializado.

Efeito	Causa	Resolução
Uma ativação atrasada da ventilação a respeito das novas regulações de temperatura ou de função.	A válvula do circuito necessita de algum tempo para abrir e, como resultado, a água quente ou fria demora tempo a circular no aparelho.	Aguarde 2 ou 3 minutos para abrir a válvula do circuito.
O aparelho não ativa a ventilação.	Não há água quente ou fria no sistema.	Verifique se a caldeira de água ou refrigerador estão a funcionar corretamente.
A ventilação não ativa mesmo se houver água quente ou fria no circuito hidráulico.	A válvula hidráulica permanece fechada.	Desmonte o corpo da válvula e verifique se a circulação de água foi restaurada.
	O motor do ventilador está bloqueado ou queimado.	Verifique a eficiência de funcionamento da válvula ligando-a separadamente com 230V. Se ativar, o problema poderá ser o controlo eletrónico.
	O micro interruptor que para a ventilação quando a grelha do filtro está aberta não fecha corretamente.	Verifique os enrolamentos do motor e a rotação livre da ventoinha.
	As ligações elétricas não estão corretas.	Verifique se ao fechar a grelha o contacto do microinterruptor é ativado.
O aparelho apresenta uma fuga de água durante a função de aquecimento.	Fugas nas ligações hidráulicas do sistema.	Verifique a fuga e aperte totalmente as ligações.
	Fugas na unidade da válvula.	Verifique o estado das juntas de vedação.
Ocorrem formações de orvalho no painel frontal.	Isolamento térmico descolado.	Verifique o posicionamento correto do isolamento termo-acústico, prestando atenção a este na parte frontal acima da bateria com aletas.
Há gotas de água na grelha de saída de ar.	Em situações de elevada umidade (>60%) pode formar-se condensação, especialmente a velocidades de ventilação mínimas.	Logo que a humidade começar a diminuir o fenómeno desaparece. Em qualquer caso, a presença de algumas gotas de água no aparelho não indica uma avaria.

Efeito	Causa	Resolução
O aparelho apresenta uma fuga de água apenas durante a função de arrefecimento.	O recipiente de condensação está bloqueado.	Verta lentamente uma garrafa de água na parte baixa da bateria para verificar a drenagem; se necessário, limpe o recipiente e/ou aumente a inclinação do tubo de drenagem.
	A descarga de condensação não necessita de inclinação para uma drenagem correta.	
	Os tubos de ligação e a unidade da válvula não estão bem isolados.	Verifique o isolamento dos tubos.
O aparelho emite um ruído estranho.	A ventoinha toca na estrutura.	Verifique o entupimento dos filtros e limpe-os, se necessário
	A ventoinha está desequilibrada.	O desequilíbrio causa vibrações excessivas da máquina, substitua a ventoinha.
	Verifique o entupimento dos filtros e limpe-os, se necessário	Limpe os filtros

3.3 Dados técnicos

FWXV	u.m.	10AATV3(R)	15AATV3(R)	20AATV3(R)
		10ABTV3(R)	15ABTV3(R)	20ABTV3(R)

DESEMPENHOS DE ARREFECIMENTO (W 7/12 °C; A 27 °C)

Capacidade total de refrigeração	(1)	kW	1,62	2,64	2,99
Capacidade de refrigeração sensata	(1)	kW	1,25	1,91	2,33
Capacidade de refrigeração latente	(1)	kW	0,37	0,73	0,66
Fluxo de água	(1)	L/h	365	483	568
Queda de pressão	(1)	kPa	11,0	23,0	22,0

DESEMPENHO DE AQUECIMENTO (W 45/40 °C; A 20 °C)

Capacidade de aquecimento	(2)	kW	1,96	2,86	3,50
Fluxo de água	(2)	L/h	380	519	655
Queda de pressão	(2)	kPa	11,0	23,0	22,0

DADOS HIDRÁULICOS

Conteúdo de água da bobina		L	0,80	1,13	1,46
Pressão máxima de funcionamento		bar	10	10	10
Ligações hidráulicas		" EK		3/4	
Temperatura máxima da água de entrada		°C	80	80	80
Temperatura mínima da água de entrada		°C	4	4	4

DADOS AERULÍNICOS

Fluxo de ar à velocidade máxima do ventilador	(3)	m³/h	294	438	567
Fluxo de ar à velocidade média do ventilador		m³/h	210	318	410
Fluxo de ar à velocidade mínima do ventilador		m³/h	118	180	247
Pressão estática disponível		Pa	10	13	13

DADOS ELÉTRICOS

Fornecimento de energia		V/ph/Hz	230-1-50		
Absorção de energia eléctrica à velocidade máxima		W	19,0	25,0	31,0
Corrente máxima absorvida		A	0,16	0,18	0,26
Absorção de energia eléctrica à velocidade mínima		W	4,0	6,0	5,0

DADOS SONOROS

Nível máximo de potência sonora		dB(A)	56	57	58
Nível de pressão sonora no fluxo máximo de ar	(4)	dB(A)	47	48	49
Nível de pressão sonora a um fluxo de ar médio	(4)	dB(A)	38	39	40
Nível de pressão sonora no fluxo mínimo de ar	(4)	dB(A)	31	33	34

Peso		kg	20	23	26
------	--	----	----	----	----

(1) Temperatura da água 7/12°C, Temperatura do ar 27°C BS e 19°C BU, EN 1397

(2) Temperatura da água 45/40°C, Temperatura do ar 20°C BS e 15°C BU, EN 1397

(3) Fluxo de ar medido com filtros limpos

(4) Pressão sonora medida a uma distância de 1 metro de acordo com a norma ISO7779

FWXM	u.m.	10AATV3(R)	15AATV3(R)	20AATV3(R)
------	------	------------	------------	------------

DESEMPENHOS DE ARREFECIMENTO (W 7/12 °C; A 27 °C)

Capacidade total de refrigeração	(1)	kW	2,12	2,81	3,30
Capacidade de refrigeração sensata	(1)	kW	1,72	2,11	2,71
Capacidade de refrigeração latente	(1)	kW	0,40	0,70	0,59
Fluxo de água	(1)	L/h	365	483	568
Queda de pressão	(1)	kPa	8,2	17,1	18,0

DESEMPENHO DE AQUECIMENTO (W 45/40 °C; A 20 °C)

Capacidade de aquecimento	(2)	kW	2,21	3,02	3,81
Fluxo de água	(2)	L/h	380	519	655
Queda de pressão	(2)	kPa	9,2	19,1	21,2

DADOS HIDRÁULICOS

Conteúdo de água da bobina		L	0,80	1,13	1,46
Pressão máxima de funcionamento		bar	10	10	10
Ligações hidráulicas		" EK	3/4		
Temperatura máxima da água de entrada		°C	80	80	80
Temperatura mínima da água de entrada		°C	4	4	4

DADOS AERULÍNICOS

Fluxo de ar à velocidade máxima do ventilador	(3)	m³/h	294	438	567
Fluxo de ar à velocidade média do ventilador		m³/h	210	318	410
Fluxo de ar à velocidade mínima do ventilador		m³/h	118	180	247
Pressão estática disponível		Pa	10	13	13

DADOS ELÉCTRICOS

Fornecimento de energia		V/ph/Hz	230-1-50		
Absorção de energia eléctrica à velocidade máxima		W	19,0	20,0	29,0
Corrente máxima absorvida		A	0,16	0,18	0,26
Absorção de energia eléctrica à velocidade mínima		W	4,0	6,0	5,0

DADOS SONOROS

Nível máximo de potência sonora		dB(A)	53	54	55
Nível de pressão sonora no fluxo máximo de ar	(4)	dB(A)	42	44	46
Nível de pressão sonora a um fluxo de ar médio	(4)	dB(A)	34	34	35
Nível de pressão sonora no fluxo mínimo de ar	(4)	dB(A)	25	26	26

Peso		kg	12	15	18
------	--	----	----	----	----

(1) Temperatura da água 7/12°C, Temperatura do ar 27°C BS e 19°C BU, EN 1397

(2) Temperatura da água 45/40°C, Temperatura do ar 20°C BS e 15°C BU, EN 1397

(3) Fluxo de ar medido com filtros limpos

(4) Pressão sonora medida a uma distância de 1 metro de acordo com a norma ISO7779

DAIKIN EUROPE N.V.

Zandvoordestraat 300, B-8400 Oostende, Belgium

Copyright 2019 Daikin

cod. N420249A - 04



ΕΓΧΕΙΡΙΔΙΟ ΕΓΚΑΤΑΣΤΑΣΗΣ

Daikin Altherma θερμοπομπός αντλίας θερμότητας

FWXV10ABTV3(R)
FWXV15ABTV3(R)
FWXV20ABTV3(R)
FWXV10AATV3(R)
FWXV15AATV3(R)
FWXV20AATV3(R)
FWXM10AATV3(R)
FWXM15AATV3(R)
FWXM20AATV3(R)

Αρχικά θα θέλαμε να σας ευχαριστήσουμε που επιλέξατε ένα από τα προϊόντα μας.

Είμαστε σίγουροι ότι θα μείνετε ικανοποιημένοι, καθώς αντιπροσωπεύει την πιο σύγχρονη τεχνολογία στον τομέα του οικιακού κλιματισμού.

Με την τήρηση των υποδείξεων που παρέχονται στο παρόν εγχειρίδιο, η αντλία θερμότητας νερού-νερού που αγοράσατε θα λειτουργεί χωρίς προβλήματα παρέχοντάς σας άριστες θερμοκρασίες χώρου με ελάχιστο ενεργειακό κόστος.

DAIKIN EUROPE N.V.

Συμμόρφωση

Αυτή η μονάδα πληροί τις διατάξεις των ακόλουθων ευρωπαϊκών οδηγιών:

- Οδηγία 2014/35/ΕΕ για τη χαμηλή τάση

- Οδηγία 2014/30/ΕΕ σχετικά με την ηλεκτρομαγνητική συμβατότητα.

Σύμβολα

Τα εικονογράμματα στο επόμενο κεφάλαιο παρέχουν τις απαραίτητες πληροφορίες για τη σωστή, ασφαλή χρήση

του μηχανήματος με γρήγορο τρόπο και χωρίς σφάλματα.

Ενημερωτικά εικονογράμματα

U Χρήστης

- Αναφέρεται σε σελίδες που περιέχουν οδηγίες ή πληροφορίες για τον χρήστη.

I Εγκαταστάτης

- Αναφέρεται σε σελίδες που περιέχουν οδηγίες ή πληροφορίες για τον εγκαταστάτη

S Σέρβις

- Αναφέρεται σε σελίδες που περιέχουν οδηγίες ή πληροφορίες για τον εγκαταστάτη της ΥΠΗΡΕΣΙΑΣ ΤΕΧΝΙΚΗΣ ΥΠΟΣΤΗΡΙΞΗΣ ΠΕΛΑΤΩΝ.

Εικονογράμματα ασφαλείας

⚠ Γενικός κίνδυνος

- Υποδεικνύει στο προσωπικό ότι η λειτουργία που περιγράφεται ενδέχεται να προκαλέσει σωματική βλάβη αν δεν εκτελεστεί σύμφωνα με τους κανόνες ασφαλείας.

⚠ Κίνδυνος υψηλής τάσης

- Υποδεικνύει στο προσωπικό ότι η λειτουργία που περιγράφεται ενδέχεται να προκαλέσει ηλεκτροπληξία αν δεν εκτελεστεί σύμφωνα με τους κανόνες ασφαλείας.

⚠ Κίνδυνος λόγω θερμότητας

- Υποδεικνύει στο προσωπικό ότι η λειτουργία που περιγράφεται ενδέχεται να προκαλέσει εγκαύματα αν δεν εκτελεστεί σύμφωνα με τους κανόνες ασφαλείας.

⊖ Απαγορεύεται

- Αναφέρεται σε ενέργειες που σε καμία περίπτωση δεν πρέπει να εκτελεστούν.

ΕΝΙΚΑ

1.1	Γενικές προειδοποιήσεις	4
1.2	Βασικοί κανόνες ασφαλείας	4
1.3	Σειρά προϊόντων	6
1.4	Συνολικές διαστάσεις	5

ΕΓΚΑΤΑΣΤΑΣΗ

2.1	Τοποθέτηση της μονάδας	7
2.2	Τρόποι εγκατάστασης	7
2.3	Ελάχιστες αποστάσεις εγκατάστασης	7
2.4	Πρόσβαση στο μηχάνημα αμαξώματος	8
2.5	Αφαιρέστε την πλευρά	9
2.6	Κατακόρυφη εγκατάσταση	9
2.7	Οριζόντια εγκατάσταση ή εγκατάσταση στην οροφή	10
2.8	Υδραυλικές συνδέσεις	10
2.9	Εκκένωση συμπυκνωμάτων	11
2.10	Πλήρωση του συστήματος	12
2.11	Εκκένωση αέρα κατά την πλήρωση του συστήματος	12
2.12	Ηλεκτρολογικές συνδέσεις	13
2.13	Συντήρηση	13
2.14	Καθαρισμός του εξωτερικού	13
2.15	Καθαρισμός του φίλτρου αναρρόφησης αέρα	14
2.16	Συμβουλές εξοικονόμησης ενέργειας	15

ΑΝΤΙΜΕΤΩΠΙΣΗ ΠΡΟΒΛΗΜΑΤΩΝ

2.17	Αντιμετώπιση προβλημάτων	16
2.18	Πίνακας δυσλειτουργιών και διορθωτικών ενεργειών	16
2.19	Τεχνικά στοιχεία	18

1.1 Γενικές προειδοποιήσεις

- ⚠️ Αφού αφαιρέσετε τη συσκευασία, βεβαιωθείτε ότι περιλαμβάνονται όλα τα εξαρτήματα. Διαφορετικά, επικοινωνήστε με τον εγκαταστάτη της συνεργαζόμενης επιχείρησης της DAIKIN.
- ⚠️ Οι μονάδες DAIKIN πρέπει να εγκαθίστανται από εξουσιοδοτημένο εγκαταστάτη ο οποίος, κατά την ολοκλήρωση της εργασίας, θα παράσχει μια δήλωση συμμόρφωσης στον πελάτη αναφορικά με τους ισχύοντες νόμους και τις υποδείξεις που παρέχονται από τη DAIKIN στο φυλλάδιο οδηγιών που παρέχεται με τη μονάδα.
- ⚠️ Αυτές οι μονάδες έχουν σχεδιαστεί για συνθήκες κλιματισμού ή/και θέρμανσης και πρέπει να προορίζονται μόνο για αυτήν τη χρήση, σύμφωνα με τα χαρακτηριστικά απόδοσης τους.
Η DAIKIN EUROPE N.V. δεν φέρει καμία ευθύνη, συμβατική ή εξωσυμβατική, για τυχόν σωματική βλάβη, βλάβη σε ζώα ή περιουσιακή ζημιά και οφείλεται σε λανθασμένη εγκατάσταση, ρύθμιση ή συντήρηση ή ακατάλληλη χρήση.
- ⚠️ Σε περίπτωση διαρροής νερού, θέστε τον κεντρικό διακόπτη του συστήματος στη θέση "Απενεργοποίηση" και κλείστε τις παροχές νερού.
Καλέστε το τμήμα τεχνικής υποστήριξης της DAIKIN ή άλλο τεχνικό προσωπικό με επαγγελματική πιστοποίηση και μην κάνετε παρεμβάσεις οι ίδιοι στη μονάδα.
- ⚠️ Οι ενσωματωμένες μονάδες της σειράς FWXM δεν διαθέτουν γρίλια ή πλάκα καλύμματος. Εξασφαλίστε προστατευτικά ασφαλείας και γρίλιες εισόδου/εξόδου αέρα για να αποτρέψετε ακούσια επαφή με τη συσκευή.
- ⚠️ Αν η μονάδα δεν πρόκειται να χρησιμοποιηθεί για μεγάλο χρονικό διάστημα, πρέπει να εκτελεστούν οι ακόλουθες λειτουργίες:
 - Θέστε τον κεντρικό διακόπτη του συστήματος στη θέση "Απενεργοποίηση"
 - Κλείστε τις παροχές νερού
 - Αν υπάρχει κίνδυνος παγετού, βεβαιωθείτε ότι έχει προστεθεί αντιψυκτικό στο σύστημα, διαφορετικά εκκενώστε το σύστημα.
- ⚠️ Αν η θερμοκρασία χώρου είναι πάρα πολύ χαμηλή ή υψηλή, θα προκληθούν βλάβες στην υγεία και επίσης άσκοπη κατανάλωση ενέργειας.
Αποφύγετε τη ροή αέρα απευθείας πάνω στα άτομα για μεγάλο χρονικό διάστημα.
- ⚠️ Μην αφήνετε τον χώρο κλειστό για μεγάλο χρονικό διάστημα. Ανοίγετε ανά τακτά διαστήματα τα παράθυρα, για να εξασφαλίσετε τη σωστή ανανέωση του αέρα.
- ⚠️ Αυτό το φυλλάδιο οδηγιών αποτελεί αναπόσπαστο τμήμα της μονάδας και, συνεπώς, πρέπει να φυλάσσεται προσεκτικά και να συνοδεύει ΠΑΝΤΑ τη μονάδα, ακόμη και κατά τη μεταβίβασή της σε νέο ιδιοκτήτη ή χρήστη ή κατά τη μεταφορά της σε άλλο σύστημα. Αν χαθεί ή καταστραφεί, επικοινωνήστε με το κέντρο τεχνικής βοήθειας της DAIKIN της περιοχής σας.
- ⚠️ Όλες οι εργασίες επισκευής ή συντήρησης πρέπει να εκτελούνται από το τμήμα τεχνικής υποστήριξης ή από προσωπικό με επαγγελματική πιστοποίηση, όπως προβλέπεται στο παρόν φυλλάδιο. Μην τροποποιείτε ή παρεμβαίνετε στη μονάδα, καθώς ενδέχεται να προκληθούν επικίνδυνες καταστάσεις και ο κατασκευαστής δεν θα φέρει καμία ευθύνη για τυχόν ζημιά που θα προκληθεί.
- ⚠️ Κίνδυνος λόγω εγκυμμάτων. Δείξτε προσοχή κατά το άγγιγμα

1.2 Βασικοί κανόνες ασφαλείας

- ⊖ Θυμηθείτε ότι πρέπει να τηρείτε ορισμένους βασικούς κανόνες ασφαλείας όταν χρησιμοποιείτε ένα προϊόν το οποίο κάνει χρήση ηλεκτρικού ρεύματος και νερού, όπως τους εξής:
 - ⊖ Μην αγγίζετε τη μονάδα με βρεγμένα χέρια ή υγρά μέρη του σώματος, όταν είστε ξυπόλητοι.
 - ⊖ Μην εκτελείτε καθαρισμό πριν από την αποσύνδεση της μονάδας από το δίκτυο ρεύματος θέτοντας τον κεντρικό διακόπτη του συστήματος στη θέση "Απενεργοποίηση".
 - ⊖ Μην τροποποιείτε τις συσκευές ασφαλείας ή ρύθμισης χωρίς την εξουσιοδότηση και τις οδηγίες του κατασκευαστή.
 - ⊖ Μην τραβάτε, κόβετε ή κάνετε κόμπο τα ηλεκτρικά καλώδια που εξέρχονται από τη μονάδα, ακόμη κι αν έχουν αποσυνδεθεί από το δίκτυο ρεύματος.
- ⊖ Η μονάδα μπορεί να χρησιμοποιηθεί από παιδιά ηλικίας άνω των 8 ετών και από άτομα με μειωμένες σωματικές, αισθητηριακές ή νοητικές ικανότητες ή χωρίς εμπειρία ή απαραίτητες γνώσεις, εφόσον παρακολουθούνται ή αφού έχουν λάβει οδηγίες για την ασφαλή χρήση τη μονάδα και έχουν κατανοήσει τους κινδύνους που συνεπάγεται. Τα παιδιά δεν πρέπει να παίζουν με τη συσκευή. Ο καθαρισμός και η συντήρηση που πρέπει να εκτελέσει ο χρήστης δεν πρέπει να πραγματοποιούνται από παιδιά χωρίς επίβλεψη.

- ➊ Μην βάζετε αντικείμενα ή οτιδήποτε άλλο στις γρίλιες εισόδου ή εξόδου.
- ➋ Μην ανοίγετε τις θύρες οι οποίες παρέχουν πρόσβαση στα εσωτερικά τμήματα της μονάδας χωρίς πρώτα να θέσετε τον κεντρικό διακόπτη του συστήματος στη θέση "Απενεργοποίηση".
- ➌ Μην απορρίπτετε ή να αφήνετε τα υλικά συσκευασίας σε μέρη που τα φθάνουν παιδιά, καθώς ενδέχεται να αποτελέσουν πηγή κινδύνου.
- ➍ Μην σκαρφαλώνετε πάνω στη μονάδα ή αφήνετε οποιοδήποτε αντικείμενο πάνω σε αυτήν.
- ➎ Τα εξωτερικά τμήματα της μονάδας μπορούν να φτάσουν σε θερμοκρασίες άνω των 70°C.

1.3 Σειρά προϊόντων

Υπάρχουν 2 τύποι θερμοπομπών αντλίας θερμότητας της DAIKIN, οι FWXV και FWXM, καθένας από τους οποίους παρέχεται σε 3 μεγέθη με διαφορετική απόδοση και διαφορετικές διαστάσεις.

Σειρά FWXV

Συσκευή ψύξης-θερμοπομπός με μεταλλικό περίβλημα.

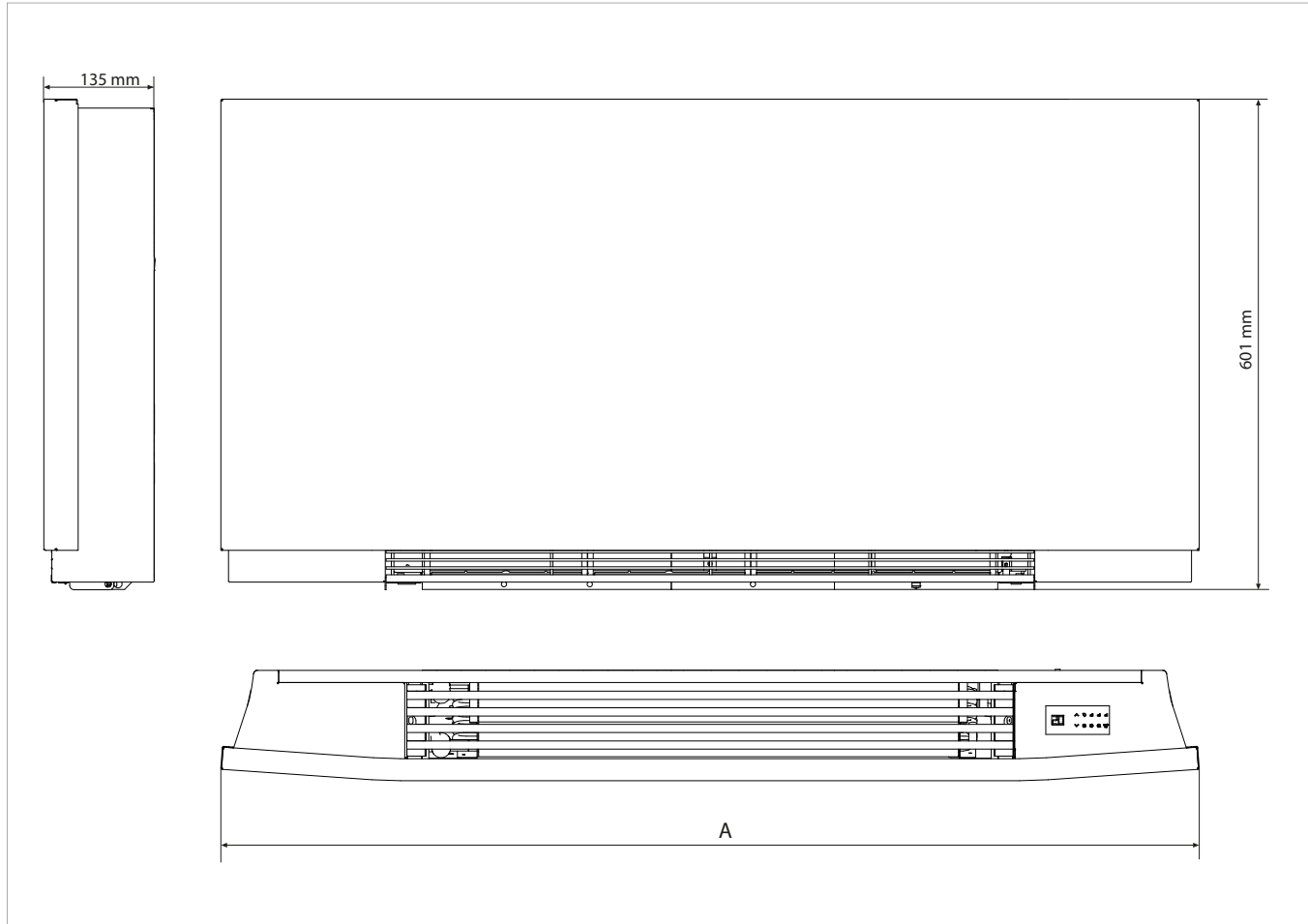
Σειρά FWXM

Ενσωματωμένη συσκευή ψύξης-θερμοπομπός χωρίς πλαίσια.

1.4 Συνολικές διαστάσεις θερμοπομπού αντλίας θερμότητας

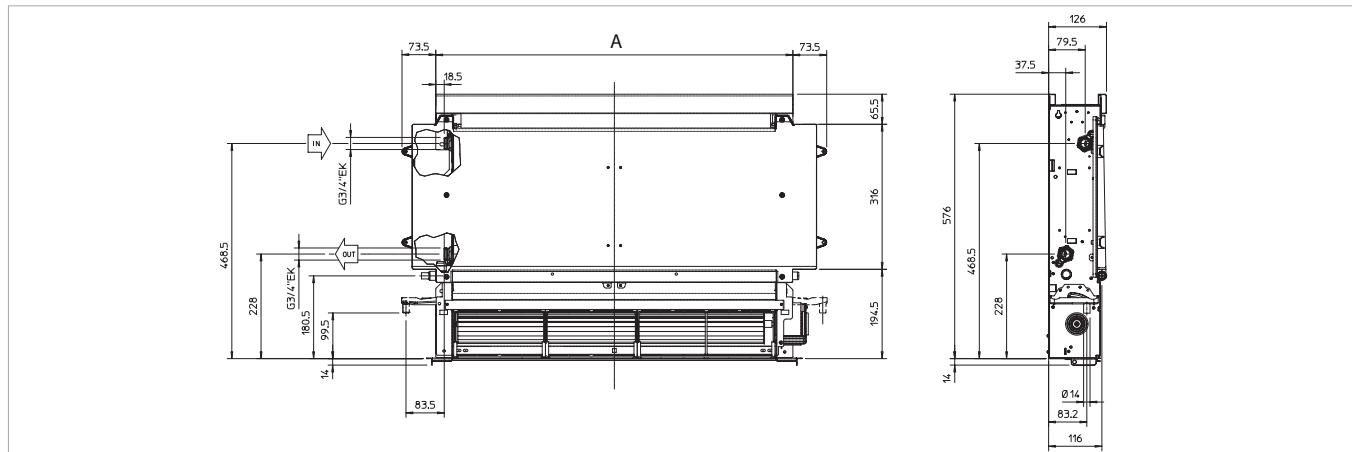
	U.M.	FWXV10AATV3(R)	FWXV15AATV3(R)	FWXV20AATV3(R)
		FWXV10ABTV3(R)	FWXV15ABTV3(R)	FWXV20ABTV3(R)
Διαστάσεις				
A	mm	999	1199	1399

FWXV



	U.M.	FWXM10AATV3(R)	FWXM15AATV3(R)	FWXM20AATV3(R)
Διαστάσεις				
A	mm	578	778	978

FWXM



ΕΓΚΑΤΑΣΤΑΣΗ

2.1 Τοποθέτηση της μονάδας

- ⚠ Μην τοποθετείτε τη μονάδα κοντά σε:
- σημεία που υπόκεινται σε έκθεση σε άμεσο ηλιακό φως.
 - κοντά σε πηγές θερμότητας.
 - σε περιοχές με υγρασία ή σημεία τα οποία ενδέχεται να έρχονται σε επαφή με νερό.
 - σε σημεία στα οποία εκλύονται καπνοί από έλαια
 - σημεία που εκτίθενται σε υψηλές συχνότητες.

- ⚠ Βεβαιωθείτε ότι:
- ο τοίχος στον οποίο πρόκειται να εγκατασταθεί η μονάδα είναι αρκετά ανθεκτικός για να αντέξει το βάρος της μονάδας.

- από το συγκεκριμένο τμήμα του τοίχου δεν περνούν σωλήνες ή ηλεκτρικά καλώδια.
- ο συγκεκριμένος τοίχος είναι απόλυτα επίπεδος.
- υπάρχει μια περιοχή στην οποία δεν υπάρχουν εμπόδια που θα μπορούσαν να προκαλέσουν παρεμβολές στη ροή εισόδου και εξόδου αέρα.
- ο τοίχος για την εγκατάσταση είναι κατά προτίμηση ένας εξωτερικός περιμετρικός τοίχος, έτσι ώστε να επιτρέπεται η εκκένωση των συμπυκνωμάτων στον εξωτερικό χώρο.
- σε περίπτωση εγκατάστασης στην οροφή (σειρά FWXM), η ροή αέρα δεν κατευθύνεται προς τα άτομα.

2.2 Τρόποι εγκατάστασης

Οι παρακάτω περιγραφές των διάφορων σταδίων εγκατάστασης και τα σχετικά σχέδια αναφέρονται σε μια έκδοση του μηχανήματος με συνδέσμους στην αριστερή πλευρά.

Οι ενέργειες για την εγκατάσταση των μηχανημάτων στα οποία οι σύνδεσμοι βρίσκονται στη δεξιά πλευρά (R) είναι ακριβώς ίδιες.

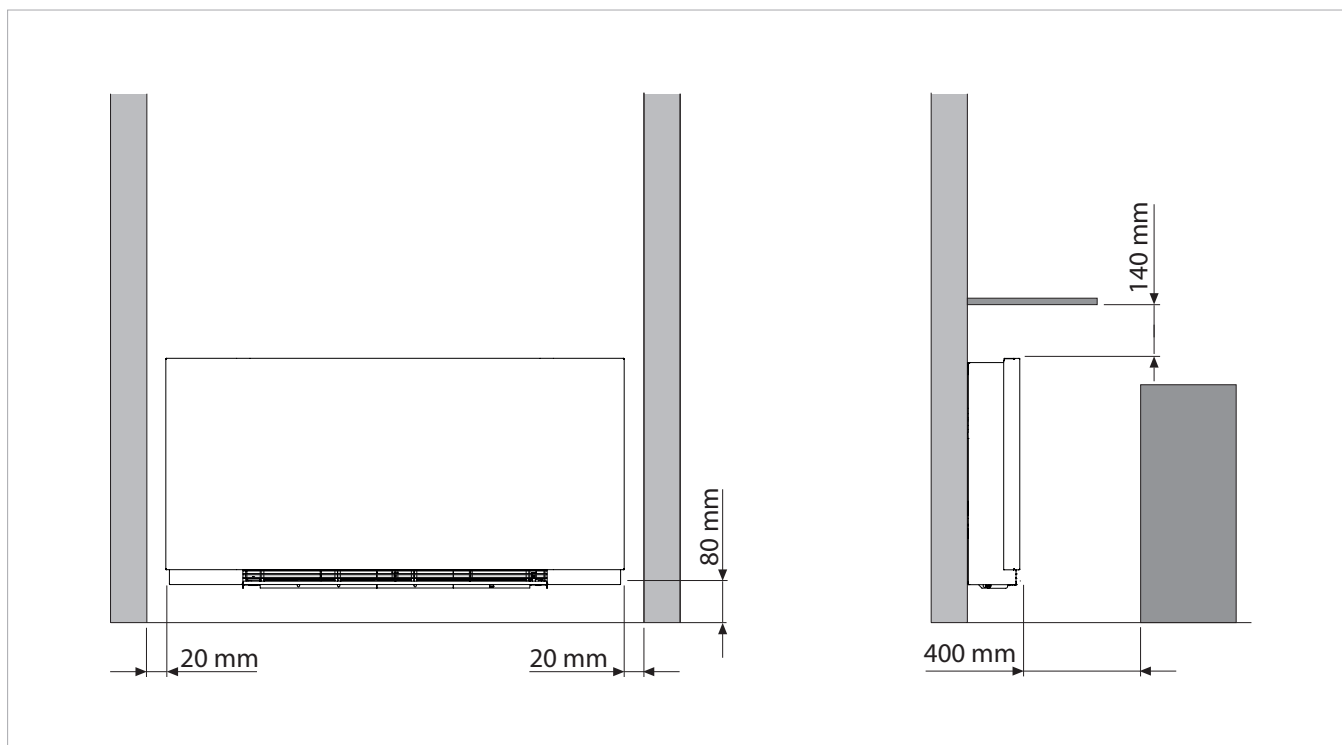
Μόνο οι εικόνες πρέπει να ληφθούν υπόψη ως εικόνες αντικατοπτρισμού.

Για να εξασφαλίσετε ότι η εγκατάσταση εκτελείται σωστά και ότι η μονάδα θα έχει άριστη απόδοση, ακολουθήστε πιστά τις οδηγίες που αναφέρονται σε αυτό το εγχειρίδιο. Η μη τήρηση των κανόνων που αναφέρονται όχι μόνο μπορεί να προκαλέσει δυσλειτουργίες της μονάδας, αλλά θα ακυρώσει και την εγγύηση και επομένως η DAIKIN EUROPE N.V. δεν θα ευθύνεται για τυχόν σωματικές βλάβες σε άτομα, ζώα ή περιουσιακές ζημιές.

2.3 Ελάχιστες αποστάσεις εγκατάστασης

Η εικόνα υποδεικνύει τις ελάχιστες αποστάσεις τοποθέτησης μεταξύ της επιτοίχιας συσκευής ψύξης-

θερμοπομπού και των επίπλων που υπάρχουν στον χώρο.



2.4 Πρόσβαση στο μηχάνημα αμαξώματος

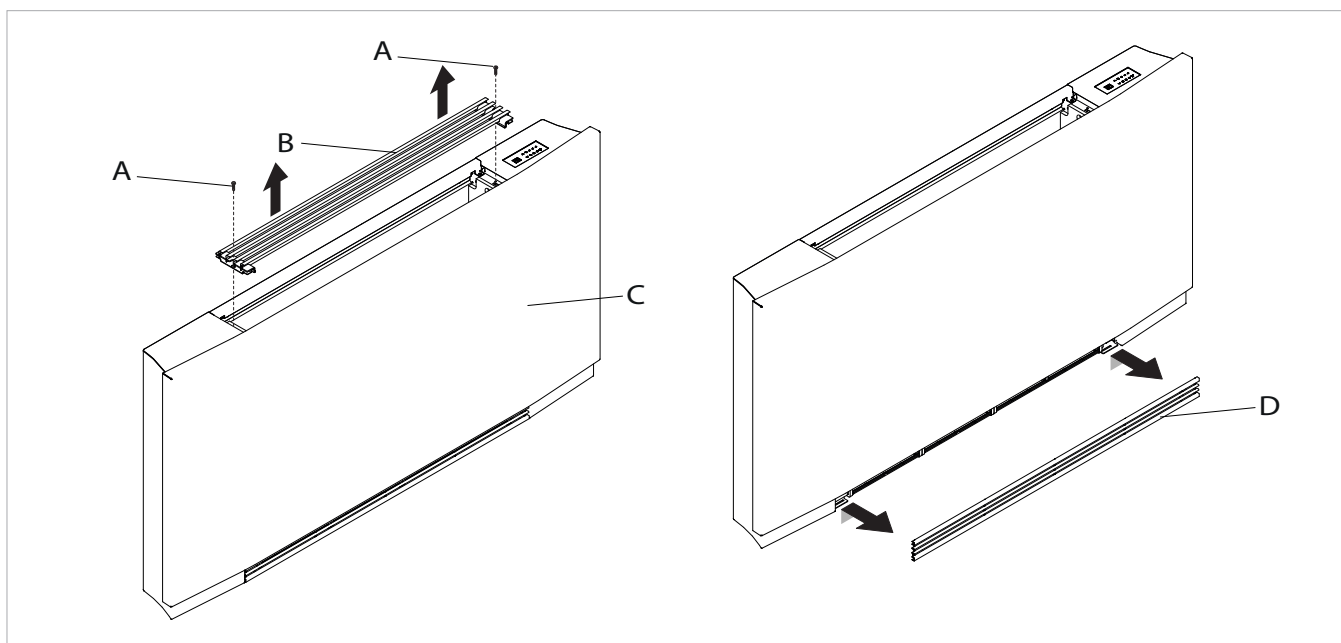
Για πρόσβαση στο εσωτερικό του μηχανήματος, ακολουθήστε τις παρακάτω διαδικασίες.

Αφαιρέστε την επάνω σχάρα: - χαλαρώστε τις βίδες στερέωσης
- Χαλαρώστε τις βίδες στερέωσης της άνω σχάρας

- Αφαιρέστε τη σχάρα
Αφαιρέστε την μπροστινή σχάρα:
- Αφαιρέστε τη σχάρα μέχρι να βγει τελείως έξω από το κάθισμα
- κλίση της σχάρας
- σύρετε προς τα έξω

A	Βίδες στερέωσης
B	Ανώτερη σχάρα

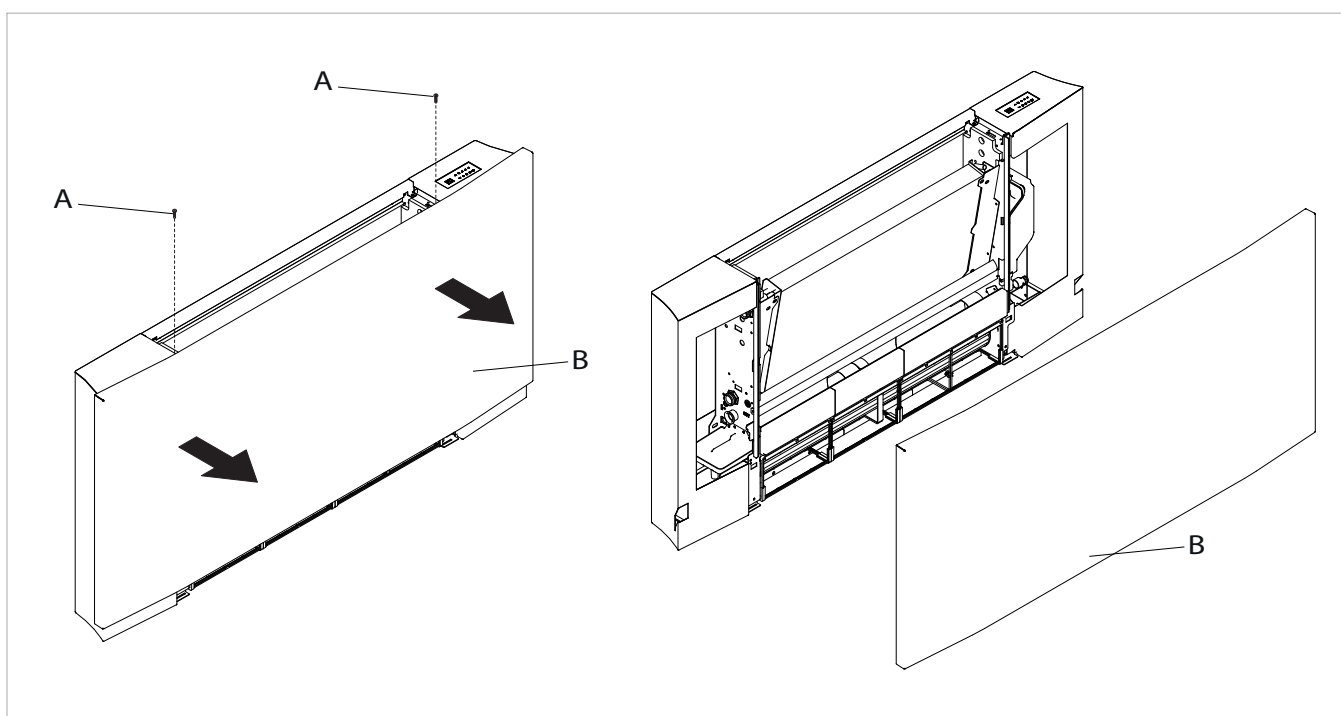
C	Πρόσοψη
D	Μπροστινή σχάρα



Αφαιρέστε τον μπροστινό πίνακα:
- Χαλαρώστε τις βίδες στερέωσης
- αφαιρέστε τον πίνακα

A	Βίδες στερέωσης
----------	-----------------

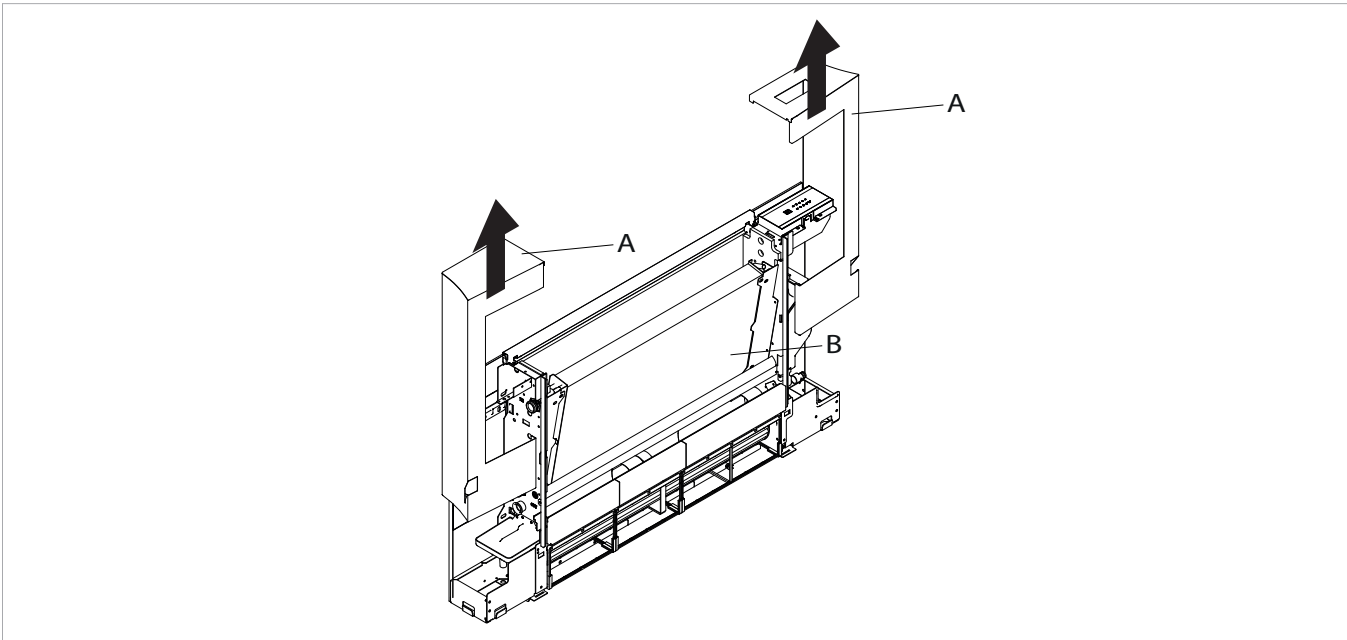
B	Πρόσοψη
----------	---------



2.5 Αφαιρέστε την πλευρά

Για να αφαιρέσετε την πλευρά:
- αφαιρέστε τις πλευρές προς τα πάνω

A	Πλευρά
B	Σώμα μηχανής



2.6 Κατακόρυφη εγκατάσταση στο δάπεδο ή εγκατάσταση σε τοίχ

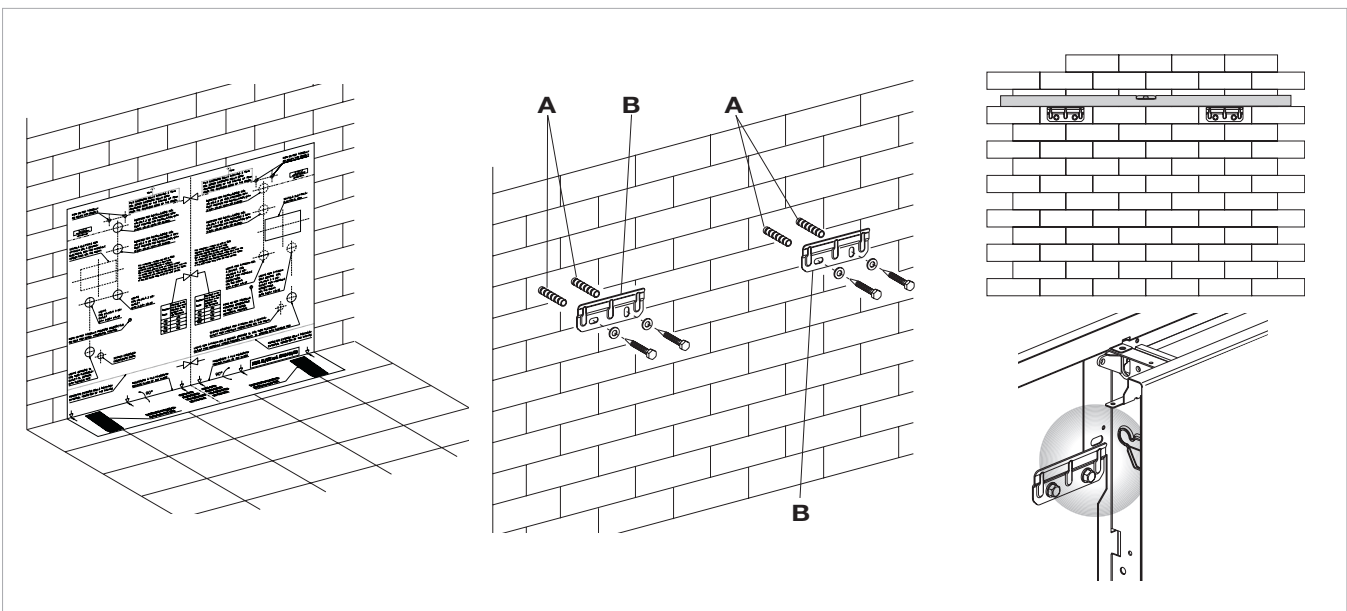
Χρησιμοποιώντας το χάρτινο υπόδειγμα, σχεδιάστε τη θέση των δύο άγκιστρων στερέωσης στον τοίχο. Χρησιμοποιήστε ένα κατάλληλο τρυπάνι για να ανοίξετε τις οπές και εισαγάγετε τα μπουλόνια στερέωσης (2 για κάθε άγκιστρο). Στερεώστε τα δύο άγκιστρα. Μην σφίξετε υπερβολικά τις βίδες, έτσι ώστε να μπορείτε να προσαρμόσετε τα άγκιστρα με ένα αλφάδι. Σφίξτε τις τέσσερις βίδες πλήρως για να ασφαλίσετε τα δύο άγκιστρα. Τοποθετήστε της μονάδας να επίπεδο(ανοχή 1 ÷ 2% στο σωλήνα αποστράγγισης για να διευκολυνθεί η ροή του νερού).

Ελέγξτε τη σταθερότητα μετακινώντας τα άγκιστρα χειροκίνητα δεξιά και αριστερά και πάνω-κάτω. Τοποθετήστε τη μονάδα ελέγχοντας ότι έχει στερεωθεί σωστά στα άγκιστρα και ότι είναι σταθερή.

Σημείωση: Για να διευκολυνθεί η σύνδεση των σωλήνων στις συνδέσεις ανεμιστήρα, εγκαταστήστε ένα ενσωματωμένο κιβώτιο στην έξοδο των ίδιων των σωληνώσεων. Η σωστή θέση του κουτιού εμφανίζεται στο πρότυπο εγκατάστασης.

A	μπουλόνια στερέωσης
----------	---------------------

B	άγκιστρα
----------	----------



2.7 Οριζόντια εγκατάσταση ή εγκατάσταση στην οροφή

Χρησιμοποιώντας το χάρτινο υπόδειγμα, σχεδιάστε τη θέση των δύο άγκιστρων στερέωσης και των δύο πίσω βιδών στην οροφή. Με ένα κατάλληλο τρυπάνι ανοίξτε τις οπές και εισαγάγετε τα μπουλόνια στερέωσης (2 για κάθε άγκιστρο). Στερεώστε τα δύο άγκιστρα. Μην σφίγγετε υπερβολικά τις βίδες. Τοποθετήστε το μηχάνημα στα δύο άγκιστρα κρατώντας το στη θέση του και κατόπιν στερεώστε τις δύο βίδες στα πίσω μπουλόνια στερέωσης, ένα σε κάθε πλευρά.

Τοποθετήστε της μονάδας να επίπεδο(ανοχή 1 ÷ 2% στο σωλήνα αποστράγγισης για να διευκολυνθεί η ροή του νερού).

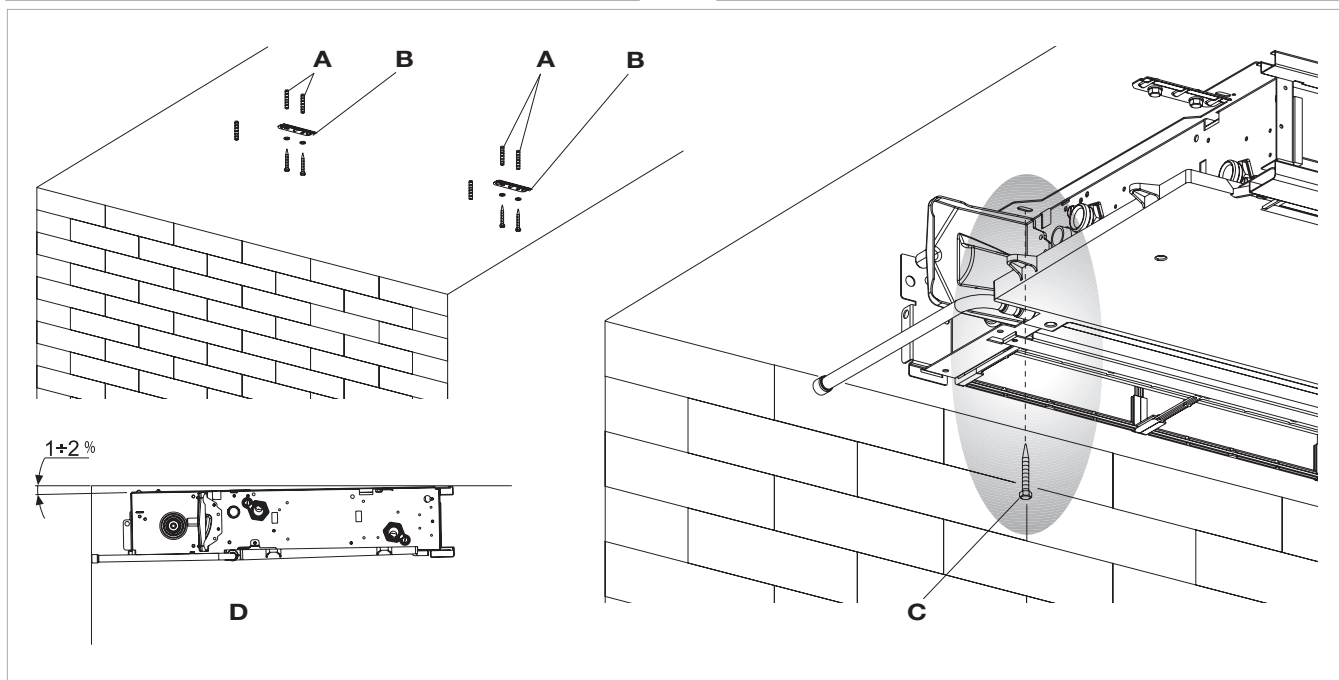
Σφίξτε πλήρως και τις 6 βίδες στερέωσης.

Για την εγκατάσταση των μονάδων της σειράς FWXV, διατίθενται τα οριζόντια κιτ συλλογής συμπυκνωμάτων EKM(10/15/20)COH.

⚠ Ελέγχετε προσεκτικά την κλίση του σωλήνα εξαγωγής αερίων. Τυχόν κλίση του σωλήνα εκκένωσης προς την αντίθετη πλευρά ενδέχεται να προκαλέσει διαρροή νερού

A	μπουλόνια στερέωσης
B	άγκιστρα

C	βίδες
D	σωλήνας αποστράγγισης



2.8

FWXV/FWXM	U.M.	10AATV3(R)	15AATV3(R)	20AATV3(R)
	U.M.	10ABTV3(R)	15ABTV3(R)	20ABTV3(R)
Διάμετρος σωλήνα	mm	14	16	18

Σημείωση: η ονομαστική διάμετρος, εκτός αν αναφέρεται διαφορετικά, αναφέρεται πάντοτε στην εσωτερική διάμετρο.

Για να αποφευχθεί ο σχηματισμός συμπυκνωμάτων επιφάνειας, συνιστάται πάντοτε η εγκατάσταση ηλεκτρικών εξαρτημάτων βαλβίδων, εκτός από την περίπτωση που υπάρχει ηλεκτρικός έλεγχος (π.χ. ηλεκτροθερμική κεφαλή) πριν από τη συσκευή.

Η επιλογή του είδους και του μεγέθους των υδραυλικών σωλήνων πρέπει να πραγματοποιείται από έναν ειδικό ο οποίος πρέπει να ενεργεί σύμφωνα με τους κανόνες της ορθής τεχνικής και τους ισχύοντες νόμους λαμβάνοντας υπόψη ότι οι σωλήνες μικρότερου μεγέθους μπορεί να προκαλέσουν δυσλειτουργίες.

Για να κάνετε τις συνδέσεις:

- τοποθετήστε τους υδραυλικούς σωλήνες
- σφίξτε τις συνδέσεις χρησιμοποιώντας κλειδί και

κόντρα κλειδί

- ελέγξτε για τυχόν διαρροές υγρών
- καλύψτε τις συνδέσεις με μονωτικό υλικό.

Οι υδραυλικό σωλήνες και οι σύνδεσμοι πρέπει να θερμομονωθούν.

Αποφύγετε τη μερική μόνωση των σωλήνων.

Μην σφίγγετε υπερβολικά για να μην προκαλέσετε φθορά στη μόνωση.

Χρησιμοποιήστε κάνναβη και πάστα στεγανοποίησης (green paste) για τη στεγανοποίηση των συνδέσεων με σπείρωμα. Η χρήση Teflon συνιστάται αν υπάρχει αντιψυκτικό στο υδραυλικό κύκλωμα.

2.9 Εκκένωση συμπυκνωμάτων

Το δίκτυο εκκένωσης συμπυκνωμάτων πρέπει να έχει κατάλληλο μέγεθος και ο σωλήνας πρέπει να έχει τοποθετηθεί σε κατάλληλη θέση, ώστε να έχει συνεχή κλίση, η οποία όμως δεν είναι μικρότερη από 1%. Στην κατακόρυφη εγκατάσταση, ο σωλήνας εκκένωσης συνδέεται απευθείας στη λεκάνη εκκένωσης ο οποίος βρίσκεται στην κάτω πλευρά του πλευρικού στηρίγματος κάτω από τους υδραυλικούς συνδέσμους. Στην οριζόντια εγκατάσταση, ο σωλήνας εκκένωσης συνδέεται στον σωλήνα που υπάρχει ήδη στο μηχάνημα.

- Αν είναι δυνατόν, ρυθμίστε τη ροή των υγρών συμπυκνωμάτων ώστε να πραγματοποιείται απευθείας σε έναν σωλήνα απορροής ή σε μια υδροροή.
- Κατά την εκκένωση απευθείας στο δίκτυο αποστράγγισης, συνιστάται να δημιουργήσετε ένα σιφόνι ώστε να αποτρέψετε την επιστροφή τυχόν άσχημης μυρωδιάς στον σωλήνα και προς τον χώρο. Η καμπύλη του σιφονιού πρέπει να είναι χαμηλότερη από τη λεκάνη συλλογής συμπυκνωμάτων.

- Αν το συμπύκνωμα πρέπει να εκκενωθεί σε δοχείο, αυτό πρέπει να είναι ανοιχτό στην ατμόσφαιρα και ο σωλήνας δεν πρέπει να βυθίζεται σε νερό, προκειμένου να αποφευχθούν προβλήματα "προσκόλλησης" και αντίθετης πίεσης τα οποία θα μπορούσαν να επηρεάσουν την κανονική εκκένωση.
- Αν υπάρχει διαφορά ύψους η οποία θα μπορούσε να επηρεάσει την εκκένωση των συμπυκνωμάτων, τότε πρέπει να τοποθετηθεί μια αντλία:
- σε μια κατακόρυφη εγκατάσταση τοποθετήστε την αντλία κάτω από τη λεκάνη πλευρικής αποστράγγισης.
- σε μια οριζόντια εγκατάσταση η θέση της αντλίας πρέπει να αποφασιστεί ανάλογα με τις συγκεκριμένες απαιτήσεις.

Αυτές οι αντλίες διατίθενται στο εμπόριο.

Ωστόσο, κατά την ολοκλήρωση της εγκατάστασης συνιστάται να ελέγξετε τη σωστή εκκένωση των υγρών συμπυκνωμάτων ρίχνοντας αργά περίπου ½ l νερού στη λεκάνη συλλογής σε χρονικό διάστημα 5-10 λεπτών περίπου.

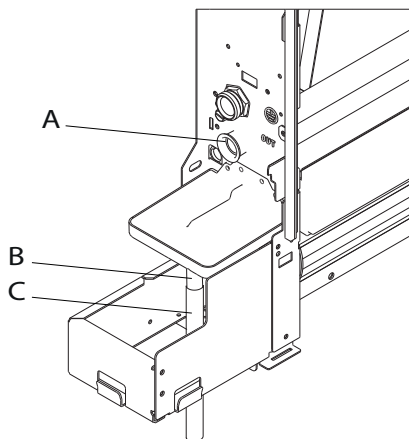
Τοποθέτηση του σωλήνα εκκένωσης συμπυκνωμάτων στην έκδοση κατακόρυφης εγκατάστασης

Στον σύνδεσμο εκκένωσης της λεκάνης συλλογής συμπυκνωμάτων συνδέστε έναν σωλήνα για την εκκένωση του υγρού και ασφαλίστε τον σωστά. Ελέγξτε

αν η επέκταση συλλογής σταγόνων υπάρχει και αν έχει εγκατασταθεί σωστά.

A	σύνδεσμος εκκένωσης
B	σωλήνας για την εκκένωση του υγρού

C	επέκταση συλλογής σταγόνων
----------	----------------------------



Τοποθέτηση του σωλήνα εκκένωσης συμπυκνωμάτων στην έκδοση οριζόντια εγκατάσταση

Για να στερεώσετε την οριζόντια λεκάνη στις μονάδες της σειράς FWXM, ανατρέξτε στις οδηγίες στα κιτ EKM(10/15/20)COH.

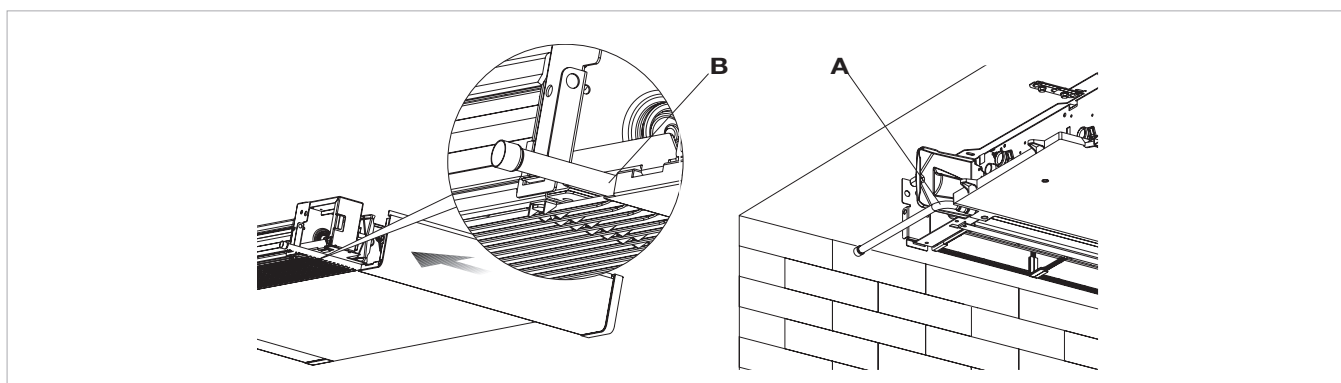
- Ελέγξτε αν ο σωλήνας "L" και ο εύκαμπτος σωλήνας έχουν συνδεθεί σωστά στη λεκάνη.
- Σύρετε προς το πλάι του μηχανήματος διατηρώντας τον σωλήνα προς τα πάνω στην μπροστινή γρίλια.
- Κλείστε πλήρως το πλευρικό τμήμα ελέγχοντας αν ο σωλήνας παραμένει ασφαλισμένος στην ειδική εσοχή στο πλάι.

Σημείωση: για την οριζόντια εγκατάσταση, λάβετε υπόψη τις ακόλουθες προφυλάξεις:

- Βεβαιωθείτε ότι το μηχάνημα έχει εγκατασταθεί σε απόλυτα επίπεδη επιφάνεια ή με ελαφρά κλίση προς το σημείο εκκένωσης συμπυκνωμάτων.
- Μονώστε προσεκτικά τους σωλήνες εισόδου και εκκένωσης έως τον σύνδεσμο με το μηχάνημα, για να εμποδίσετε την πτώση σταγόνων συμπυκνώματος εκτός της λεκάνης συλλογής.
- Μονώστε τον σωλήνα εκκένωσης συμπυκνωμάτων σε όλο το μήκος του.

A σωλήνες σύνδεσης

B μη επιτρεπόμενη εισχώρηση



2.10 Πλήρωση του συστήματος

Κατά την εκκίνηση του συστήματος, βεβαιωθείτε ότι η διάταξη ασφάλισης της υδραυλικής μονάδας είναι ανοιχτή. Αν δεν υπάρχει ηλεκτρικό ρεύμα και η θερμοστατική βάννα

έχει ήδη τροφοδοτηθεί με ρεύμα, χρησιμοποιήστε το ειδικό πώμα για να πιέσετε το πώμα της βάννας και να το ανοίξετε.

2.11 Εκκένωση αέρα κατά την πλήρωση του συστήματος

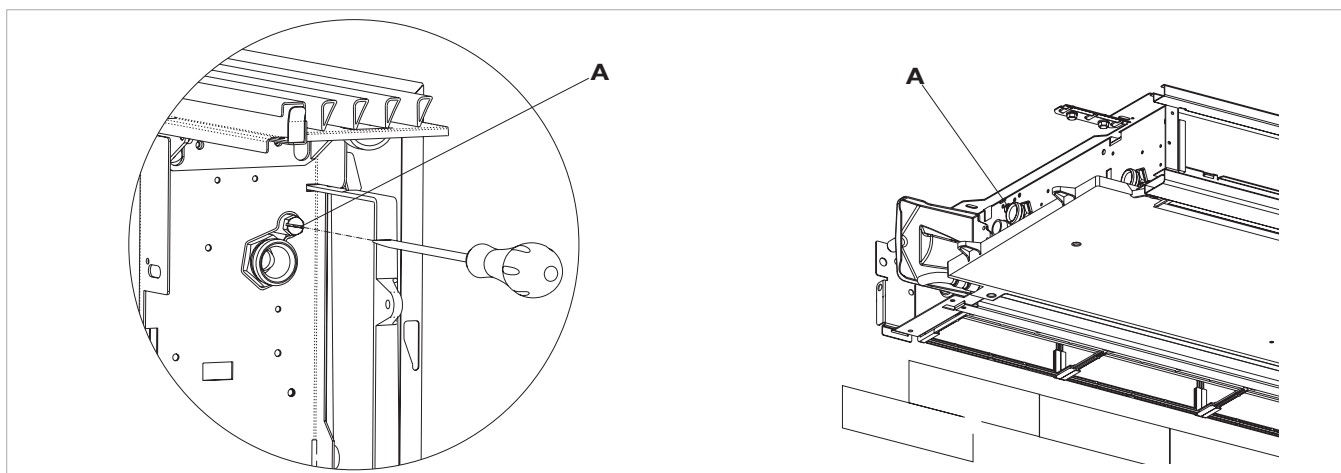
- Ανοίξτε όλες τις διατάξεις συγκράτησης του συστήματος (χειροκίνητες ή αυτόματες).
- Ξεκινήστε την πλήρωση ανοίγοντας αργά την παροχή πλήρωσης νερού του συστήματος.
- Για τις μονάδες που έχουν εγκατασταθεί σε κατακόρυφη θέση, χρησιμοποιήστε ένα καταβίδι και πραγματοποιήστε εκκένωση στην υψηλότερη βάννα αερισμού της συστοιχίας, ενώ για τις μονάδες που έχουν εγκατασταθεί σε οριζόντια θέση, πραγματοποιήστε εκκένωση στην υψηλότερη βάννα αερισμού.

- Αν ξεκινήσει να εξέρχεται νερό από τις βάννες αερισμού της μονάδας, κλείστε τις και συνεχίστε την πλήρωση μέχρι να φτάσετε στην ονομαστική τιμή για το σύστημα.

Ελέγξτε τις υδραυλικές τσιμούχες των στεγανοποιητικών παρεμβυσμάτων.

Συνιστάται να επαναλάβετε αυτές τις ενέργειες αφού η μονάδα έχει τεθεί σε λειτουργία για λίγες ώρες και να ελέγχετε την πίεση του συστήματος ανά τακτά διαστήματα.

A Εξαέρωση της συστοιχίας



2.12 Ηλεκτρολογικές συνδέσεις

Πραγματοποιήστε τις ηλεκτρολογικές συνδέσεις σύμφωνα με τις απαιτήσεις που ορίζονται στις ενότητες "Γενικές προειδοποιήσεις" και "Βασικοί κανόνες ασφαλείας" ανατρέχοντας στα σχέδια που υπάρχουν στα εγχειρίδια εγκατάστασης και παρελκομένων.

Πριν από κάθε εργασία, βεβαιωθείτε ότι έχετε αποσυνδέσει

την παροχή ρεύματος.

Η μονάδα πρέπει να συνδεθεί στο δίκτυο μέσω πολυπολικού διακόπτη με άνοιγμα επαφής τουλάχιστον 3 mm ή με μια διάταξη η οποία επιτρέπει την πλήρη αποσύνδεση από τη συσκευή σύμφωνα με τις προϋποθέσεις της κατηγορίας υπέρτασης III.

2.13 Συντήρηση

Οι συνήθειες εργασίες συντήρησης είναι απαραίτητες για τη διατήρηση της μονάδας ψύξης-θερμοπομπού DAIKIN ασφαλούς, αξιόπιστου και σε άριστη κατάσταση λειτουργίας με το πέρασμα του χρόνου. Αυτές οι εργασίες

πρέπει να εκτελούνται κάθε έξι μήνες για ορισμένες ενέργειες και ανά έτος για άλλες από την Υπηρεσία τεχνικής βοήθειας, η οποία έχει εξουσιοδοτηθεί και προετοιμαστεί τεχνικά, και πάντα με χρήση γνήσιων ανταλλακτικών.

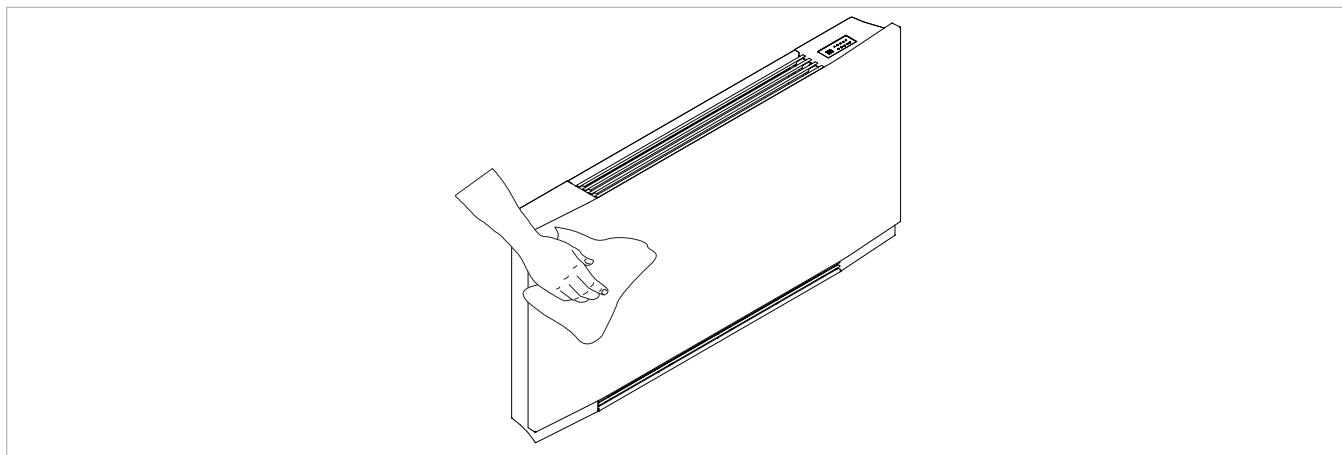
2.14 Καθαρισμός του εξωτερικού

⚠ Πριν από κάθε εργασία καθαρισμού και συντήρησης, αποσυνδέετε τη μονάδα από το δίκτυο κλείνοντας τον κεντρικό διακόπτη.

⚠ Περιμένετε μέχρι να κρυώσουν τα εξαρτήματα, για να αποφύγετε τον κίνδυνο εγκαυμάτων.

⚠ Μην χρησιμοποιείτε σφουγγάρια λείανσης ή δραστικά ή διαβρωτικά απορρυπαντικά, για να μην καταστρέψετε τις βαμμένες επιφάνειες.

Καθαρίζετε τις εξωτερικές επιφάνειες της μονάδας ψύξης- του θερμοπομπού DAIKIN με ένα απαλό νωπό πανί όταν χρειάζεται.



2.15 Καθαρισμός του φίλτρου αναρρόφησης αέρα

Εκτελέστε τις ενέργειες που περιγράφονται παρακάτω, μετά από ένα διάστημα συνεχούς χρήσης και ανάλογα με τη συγκέντρωση ρύπων στον αέρα ή αν θέλετε να

επανεκκινήσετε την εγκατάσταση μετά από μια περίοδο αδράνειας.

Εξαγωγή κυψελών φίλτρου

Για να αφαιρέσετε τη σχάρα:

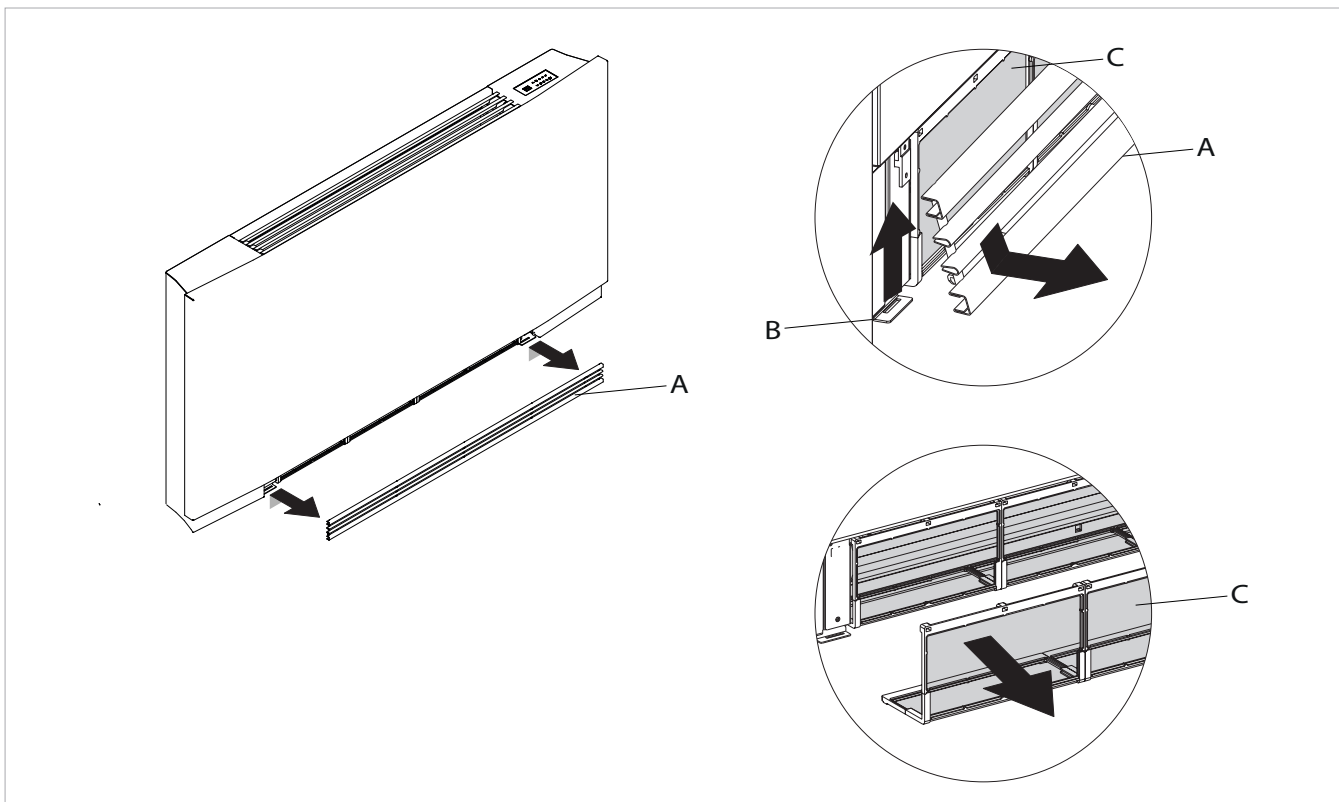
- Αφαιρέστε τη σχάρα μέχρι να απελευθερωθεί τελείως από το κάθισμα

- ανάψτε τη σχάρα και σπρώξτε την προς τα έξω

- στη συνέχεια αφαιρέστε το φίλτρο τραβώντας το προς τα έξω

A	Μπροστινή σχάρα
B	γάντζο σχάρας

C	φίλτρο
----------	--------



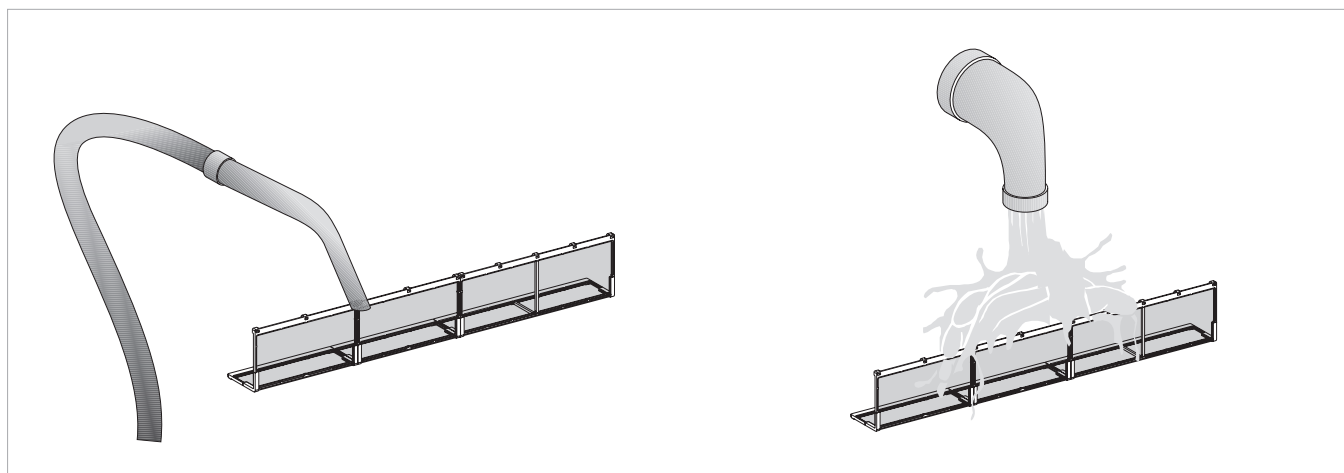
Καθαρισμός βάσεων φίλτρων

- Πραγματοποιήστε αναρρόφηση της σκόνης με μια ηλεκτρική σκούπα
- Πλύνετε το φίλτρο σε τρεχούμενο νερό χωρίς να χρησιμοποιήσετε απορρυπαντικά ή διαλυτικά και αφήστε το να στεγνώσει.

⊖ Μην χρησιμοποιήσετε τη μονάδα χωρίς τα φίλτρα με πλέγμα.

⚠ Η μονάδα διαθέτει έναν διακόπτη ασφαλείας ο οποίος αποτρέπει τη λειτουργία της μονάδας ψύξης, όταν λείπει το κινούμενο πάνελ ή δεν βρίσκεται στη σωστή θέση.

⚠ Αφού ολοκληρώσετε τον καθαρισμό του φίλτρου, ελέγξτε εάν το πάνελ έχει τοποθετηθεί σωστά.



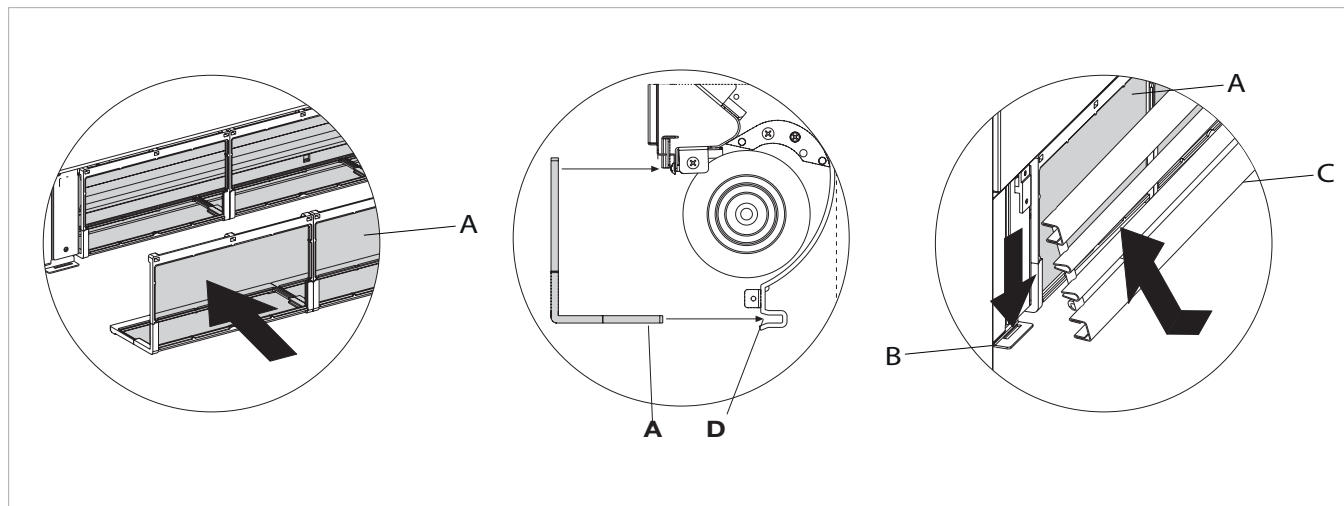
Ενέργειες ολοκλήρωσης καθαρισμού

- Για τις εκδόσεις με γρίλια και πτερύγια, εισαγάγετε τις δύο γλωττίδες στις ειδικές υποδοχές, στρέψτε τη

γρίλια και στερεώστε την στο επάνω μέρος με ένα ελαφρύ χτύπημα.

A	φίλτρο
B	γάντζο σχάρας

C	μπροστινή σχάρα
D	Περίβλημα φίλτρου



2.16 Συμβουλές εξοικονόμησης ενέργειας

- Διατηρείτε πάντα τα φίλτρα καθαρά.
- Εάν είναι δυνατόν, διατηρείτε τις πόρτες και τα παράθυρα κλειστά στον χώρο που κλιματίζεται.
- Εάν είναι δυνατόν, περιορίστε τις συνέπειες του άμεσου ηλιακού φωτός στους χώρους που κλιματίζονται (χρησιμοποιήστε κουρτίνες, στόρια κ.λπ.)

ΑΝΤΙΜΕΤΩΠΙΣΗ ΠΡΟΒΛΗΜΑΤΩΝ

3.1 Αντιμετώπιση προβλημάτων

- ⚠ Στην περίπτωση διαρροής νερού ή δυσλειτουργίας, διακόψτε αμέσως την παροχή ρεύματος και κλείστε τις παροχές νερού.
 - ⚠ Αν προκύψει μία από τις ακόλουθες ασυνήθιστες λειτουργίες, επικοινωνήστε με ένα εξουσιοδοτημένο κέντρο σέρβις ή εξουσιοδοτημένο τεχνικό, αλλά μην κάνετε παρεμβάσεις οι ίδιοι.
- Ο αερισμός δεν ενεργοποιείται ακόμη κι αν υπάρχει ζεστό ή κρύο νερό στο υδραυλικό κύκλωμα.
 - Παρουσιάζεται διαρροή νερού στη μονάδα κατά τη λειτουργία θέρμανσης.
 - Παρουσιάζεται διαρροή νερού στη μονάδα μόνο κατά τη λειτουργία ψύξης.
 - Η μονάδα κάνει υπερβολικό θόρυβο.
 - Έχει σχηματιστεί υγρασία στο μπροστινό πάνελ.

3.2 Πίνακας δυσλειτουργιών και διορθωτικών ενεργειών

Οι παρεμβάσεις πρέπει να εκτελούνται από κέντρο σέρβις, εξουσιοδοτημένο εγκαταστάτη ή από εξειδικευμένο

Πρόβλημα	Αιτία	Διορθωτική ενέργεια
Καθυστερημένη ενεργοποίηση του αερισμού αναφορικά με τις νέες ρυθμίσεις θερμοκρασίας ή λειτουργίας.	Η βάνα κυκλώματος χρειάζεται χρόνο για να ανοίξει και, επομένως, το ζεστό ή το κρύο νερό καθυστερεί να κυκλοφορήσει στη μονάδα.	Περιμένετε 2 με 3 λεπτά μέχρι να ανοίξει η βάνα κυκλώματος.
H μονάδα δεν ενεργοποιεί τον αερισμό.	Δεν υπάρχει ζεστό ή κρύο νερό στο σύστημα.	Ελέγξτε εάν ο λέβητας νερού ή η μονάδα ψύξης λειτουργούν σωστά.
Ο αερισμός δεν ενεργοποιείται ακόμη κι αν υπάρχει ζεστό ή κρύο νερό στο υδραυλικό κύκλωμα.	H υδραυλική βάνα παραμένει κλειστή.	Αποσυναρμολογήστε το σώμα της βάνας και ελέγξτε αν η κυκλοφορία του νερού έχει επανέλθει. Ελέγξτε την απόδοση λειτουργίας της βάνας τροφοδοτώντας την ξεχωριστά με 230 V. Αν ενεργοποιηθεί, τότε το πρόβλημα ενδέχεται να οφείλεται στο ηλεκτρονικό χειριστήριο.
	Το μοτέρ ανεμιστήρα παρουσιάζει έμφραξη ή έχει καεί.	Ελέγξτε τις περιελίξεις του μοτέρ και την ελεύθερη περιστροφή του ανεμιστήρα.
	Ο μικροδιακόπτης ο οποίος σταματά τον αερισμό κατά το άνοιγμα της γρίλιας του φίλτρου δεν κλείνει σωστά.	Ελέγξτε εάν ενεργοποιείται η επαφή του μικροδιακόπτη με το κλείσιμο της γρίλιας.
	Οι ηλεκτρολογικές συνδέσεις δεν έχουν πραγματοποιηθεί σωστά.	Ελέγξτε τις ηλεκτρολογικές συνδέσεις.
Παρουσιάζεται διαρροή νερού στη μονάδα κατά τη λειτουργία θέρμανσης.	Παρουσιάζεται διαρροή στις υδραυλικές συνδέσεις του συστήματος.	Ελέγξτε για διαρροές και σφίξτε πλήρως τις συνδέσεις.
	Παρουσιάζεται διαρροή στο συγκρότημα βάνας.	Ελέγξτε την κατάσταση των στεγανοποιητικών παρεμβυσμάτων.
Έχει σχηματιστεί υγρασία στο μπροστινό πάνελ.	H θερμομόνωση έχει ξεκολλήσει.	Ελέγξτε τη σωστή θέση της θερμικής και ηχητικής μόνωσης προσέχοντας την μπροστινή πλευρά πάνω από τη συστοιχία με πτερύγια.
Υπάρχουν σταγόνες νερού στη γρίλια εξόδου αέρα.	Σε συνθήκες υψηλής υγρασίας (>60%), ενδέχεται να προκληθεί συμπύκνωση υγρασίας, ειδικά στις ελάχιστες ταχύτητες αερισμού.	Μόλις η υγρασία ξεκινήσει να μειώνεται, το φαινόμενο θα εξαφανιστεί. Σε κάθε περίπτωση, η παρουσία λίγων σταγόνων νερού στη μονάδα δεν υποδεικνύει δυσλειτουργία.

Πρόβλημα	Αιτία	Διορθωτική ενέργεια
Παρουσιάζεται διαρροή νερού στη μονάδα μόνο κατά τη λειτουργία ψύξης.	Η λεκάνη συμπυκνωμάτων έχει φράξει.	Ρίξτε αργά ένα μπουκάλι νερό στο κάτω τμήμα της συστοιχίας για να ελέγξετε την αποστράγγιση. Αν χρειάζεται, καθαρίστε τη λεκάνη ή/και αυξήστε την κλίση του σωλήνα αποστράγγισης.
	Ο σωλήνας αποστράγγισης συμπυκνωμάτων δεν έχει την κατάλληλη κλίση για τη σωστή αποστράγγιση.	Ελέγξτε τη μόνωση των σωλήνων.
Η μονάδα παράγει έναν περίεργο θόρυβο.	Ο ανεμιστήρας έρχεται σε επαφή με το πλαίσιο.	Ελέγξτε αν έχουν φράξει τα φίλτρα και καθαρίστε τα εάν χρειάζεται.
	Ο ανεμιστήρας βρίσκεται σε σημείο όπου δεν υπάρχει ισορροπία.	Η έλλειψη ισορροπίας προκαλεί υπερβολικούς κραδασμούς στο μηχάνημα: αντικαταστήστε τον ανεμιστήρα.
	Ελέγξτε αν έχουν φράξει τα φίλτρα και καθαρίστε τα εάν χρειάζεται.	Καθαρίστε τα φίλτρα

3.3 Τεχνικά στοιχεία

FWXV	u.m.	10AATV3(R)	15AATV3(R)	20AATV3(R)
		10ABTV3(R)	15ABTV3(R)	20ABTV3(R)

Επιδόσεις ψύξης (W 7/12 °C, A 27 °C)

Συνολική ψυκτική ικανότητα	(1)	kW	1,62	2,64	2,99
Αισθητή ψυκτική ικανότητα	(1)	kW	1,25	1,91	2,33
Λανθάνουσα ψυκτική ικανότητα	(1)	kW	0,37	0,73	0,66
Ροή νερού	(1)	L/h	365	483	568
Πτώση πίεσης	(1)	kPa	11,0	23,0	22,0

Επιδόσεις θέρμανσης (W 45/40 °C, A 20 °C)

Ικανότητα θέρμανσης	(2)	kW	1,96	2,86	3,50
Ροή νερού	(2)	L/h	380	519	655
Πτώση πίεσης	(2)	kPa	11,0	23,0	22,0

ΥΔΡΑΥΛΙΚΑ ΔΕΔΟΜΕΝΑ

Περιεκτικότητα του πηνίου σε νερό		L	0,80	1,13	1,46
Μέγιστη πίεση λειτουργίας		bar	10	10	10
Υδραυλικές συνδέσεις		" EK		3/4	
Μέγιστη θερμοκρασία νερού εισόδου		°C	80	80	80
Ελάχιστη θερμοκρασία νερού εισόδου		°C	4	4	4

Αεροναυτικά δεδομένα

Ροή αέρα στη μέγιστη ταχύτητα ανεμιστήρα	(3)	m³/h	294	438	567
Ροή αέρα σε μεσαία ταχύτητα ανεμιστήρα		m³/h	210	318	410
Ροή αέρα στην ελάχιστη ταχύτητα ανεμιστήρα		m³/h	118	180	247
Διαθέσιμη στατική πίεση		Pa	10	13	13

Ηλεκτρικά δεδομένα

Παροχή ηλεκτρικού ρεύματος		V/ph/Hz	230-1-50		
Απορρόφηση ηλεκτρικής ισχύος στη μέγιστη ταχύτητα		W	19,0	25,0	31,0
Μέγιστο απορροφούμενο ρεύμα		A	0,16	0,18	0,26
Απορρόφηση ηλεκτρικής ισχύος σε ελάχιστη ταχύτητα		W	4,0	6,0	5,0

Δεδομένα ήχου

Μέγιστη στάθμη ηχητικής ισχύος		dB(A)	56	57	58
Επίπεδο ηχητικής πίεσης στη μέγιστη ροή αέρα	(4)	dB(A)	47	48	49
Στάθμη ηχητικής πίεσης σε μέση ροή αέρα	(4)	dB(A)	38	39	40
Επίπεδο ηχητικής πίεσης στην ελάχιστη ροή αέρα	(4)	dB(A)	31	33	34

Βάρος		kg	20	23	26
-------	--	----	----	----	----

- (1) Θερμοκρασία νερού 7/12°C, θερμοκρασία αέρα 27°C BS και 19°C BU, EN 1397
 (2) Θερμοκρασία νερού 45/40°C, θερμοκρασία αέρα 20°C BS και 15°C BU, EN 1397
 (3) Ροή αέρα μετρούμενη με καθαρά φίλτρα
 (4) Ηχητική πίεση μετρούμενη σε απόσταση 1 μέτρου σύμφωνα με το ISO7779

FWXM	u.m.	10AATV3(R)	15AATV3(R)	20AATV3(R)
Επιδόσεις ψύξης (W 7/12 °C, A 27 °C)				
Συνολική ψυκτική ικανότητα	(1) kW	2,12	2,81	3,30
Αισθητή ψυκτική ικανότητα	(1) kW	1,72	2,11	2,71
Λανθάνουσα ψυκτική ικανότητα	(1) kW	0,40	0,70	0,59
Ροή νερού	(1) L/h	365	483	568
Πτώση πίεσης	(1) kPa	8,2	17,1	18,0
Επιδόσεις θέρμανσης (W 45/40 °C, A 20 °C)				
Ικανότητα θέρμανσης	(2) kW	2,21	3,02	3,81
Ροή νερού	(2) L/h	380	519	655
Πτώση πίεσης	(2) kPa	9,2	19,1	21,2
ΥΔΡΑΥΛΙΚΑ ΔΕΔΟΜΕΝΑ				
Περιεκτικότητα του πηνίου σε νερό	L	0,80	1,13	1,46
Μέγιστη πίεση λειτουργίας	bar	10	10	10
Υδραυλικές συνδέσεις	" EK	3/4		
Μέγιστη θερμοκρασία νερού εισόδου	°C	80	80	80
Ελάχιστη θερμοκρασία νερού εισόδου	°C	4	4	4
Αεροναυτικά δεδομένα				
Ροή αέρα στη μέγιστη ταχύτητα ανεμιστήρα	(3) m³/h	294	438	567
Ροή αέρα σε μεσαία ταχύτητα ανεμιστήρα	m³/h	210	318	410
Ροή αέρα στην ελάχιστη ταχύτητα ανεμιστήρα	m³/h	118	180	247
Διαθέσιμη στατική πίεση	Pa	10	13	13
Ηλεκτρικά δεδομένα				
Παροχή ηλεκτρικού ρεύματος	V/ph/Hz	230-1-50		
Απορρόφηση ηλεκτρικής ισχύος στη μέγιστη ταχύτητα	W	19,0	20,0	29,0
Μέγιστο απορροφούμενο ρεύμα	A	0,16	0,18	0,26
Απορρόφηση ηλεκτρικής ισχύος σε ελάχιστη ταχύτητα	W	4,0	6,0	5,0
Δεδομένα ήχου				
Μέγιστη στάθμη ηχητικής ισχύος	dB(A)	53	54	55
Επίπεδο ηχητικής πίεσης στη μέγιστη ροή αέρα	(4) dB(A)	42	44	46
Στάθμη ηχητικής πίεσης σε μέση ροή αέρα	(4) dB(A)	34	34	35
Επίπεδο ηχητικής πίεσης στην ελάχιστη ροή αέρα	(4) dB(A)	25	26	26
Βάρος	kg	12	15	18

(1) Θερμοκρασία νερού 7/12°C, θερμοκρασία αέρα 27°C BS και 19°C BU, EN 1397

(2) Θερμοκρασία νερού 45/40°C, θερμοκρασία αέρα 20°C BS και 15°C BU, EN 1397

(3) Ροή αέρα μετρούμενη με καθαρά φίλτρα

(4) Ηχητική πίεση μετρούμενη σε απόσταση 1 μέτρου σύμφωνα με το ISO7779

DAIKIN EUROPE N.V.

Zandvoordestraat 300, B-8400 Oostende, Belgium

Copyright 2019 Daikin

cod. N420249A - 04